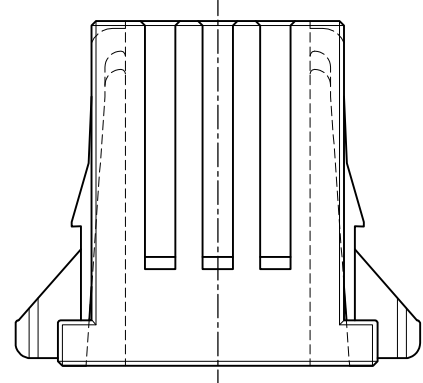
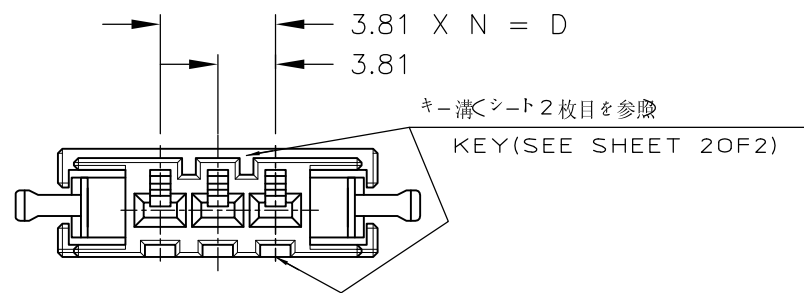
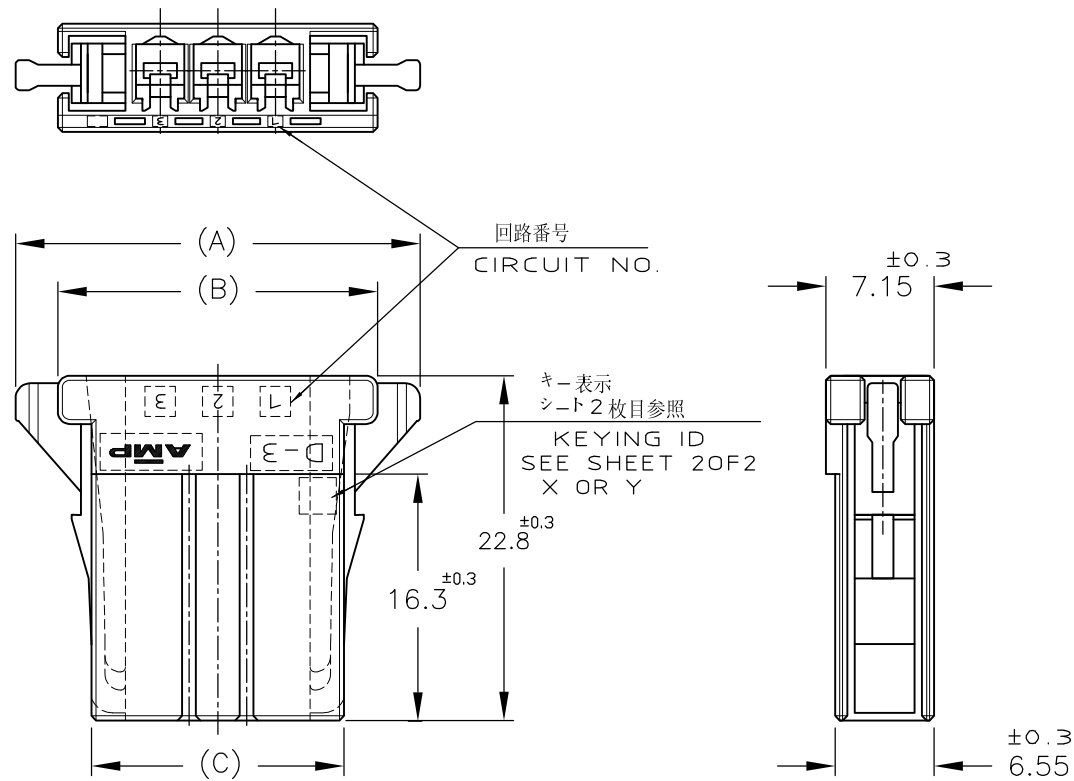


NUMBER 178288



METRIC

PRINT DIST 単位 概 DIMENSIONS IN MM. DO NOT SCALE PRINT



NOTE

1 MATERIAL: GLASS FIELD THERMO PLASTIC, POLYESTER
 COLOR: BLACK
~~△ TO COAT ALL SURFACE OF HOUSING WITH TEFLON~~

注記

1 材料: ガラス入り熱可塑性ポリエステル樹脂
 色: 黒色
~~△ ハウジング全面にテフロン塗装のこと~~

	10 POS.	53.43	47.83	43.37	34.29	9	2-178288-8
	10 POS.	53.43	47.83	43.37	34.29	9	1-178288-8
	8 POS.	45.81	40.12	35.97	26.67	7	1-178288-7
	6 POS.	38.19	32.59	28.13	19.05	5	2-178288-6
	6 POS.	38.19	32.59	28.13	19.05	5	1-178288-6
	5 POS.	34.38	28.78	24.32	15.24	4	1-178288-5
	4 POS.	30.57	24.97	20.51	11.43	3	2-178288-4
	4 POS.	30.57	24.97	20.51	11.43	3	1-178288-4
OBSOLETE	△ 3 POS.	26.76	21.16	16.7	7.62	2	6-178288-3
OBSOLETE	△ 3 POS.	26.76	21.16	16.7	7.62	2	5-178288-3
	3 POS.	26.76	21.16	16.7	7.62	2	2-178288-3
	3 POS.	26.76	21.16	16.7	7.62	2	1-178288-3
FINISH	POS. / DIMENSION	A	B	C	D	N	PART NUMBER

				STE TE Connectivity						
				抱合電線断面(WIRE RANGE)		被覆外径(INSULATION DIA.)		名称(NAME)		
				mm ² (AWG -)		mmφ		REC HSG FOR DYNAMIC, SINGLE ROW ダイナミックφ-3100リセハウジング		
				材料(MATERIAL) SEE NOTE 注記参照		仕上(FINISH)		一般公差 (GENERAL TOLERANCE)		
				DR. 9 JUL 91 N. Matsubara		DE. 9 JUL 91 N. Matsubara		10以下: ±0.2 10以上 30以下: ±0.25 30以上 100以下: ±0.3 角度: ±3°		
E4 REVISED PER ECO-11-005030				RK	HMR	21MAR11	SIZE A3		LOC J	番号(No.) C=178288
LTR 変更 (REVISION RECORD)				DR	CHK	DATE	尺度(SCALE) 2-1		REV. E4	SHEET 1 OF 2
				CHK. 17 JUL 91 H. Obata	APP. 17-DEC-'91 S. MANABE					

4

3

2

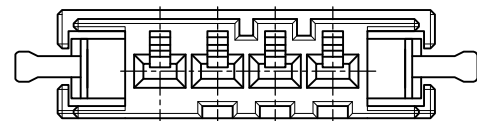
1

NUMBER
178288

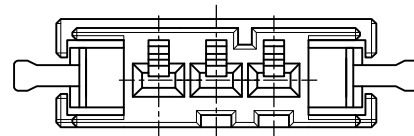


METRIC

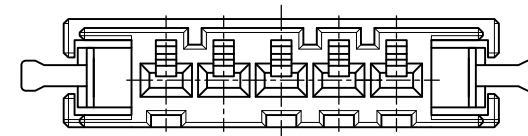
KEYING LOCATION



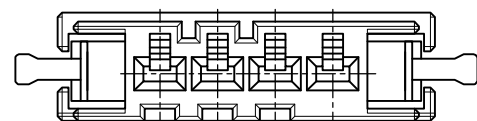
(P/N 2-178288-4 ONLY)
(KEYING: Y)



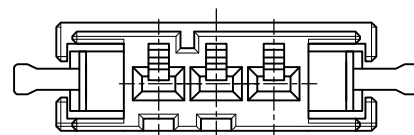
(P/N 2-178288-3 ONLY)
(KEYING: Y)



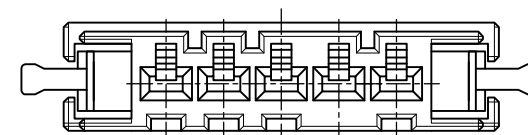
(P/N 2-178288-6,-8)
(KEYING: Y)



(P/N 1-178288-4 ONLY)
(KEYING: X)



(P/N 1-178288-3 ONLY)
(KEYING: X)



(P/N 1-178288-5,-6,-7,-8)
(KEYING: X)

PRINT DIST
単位 耗 DIMENSIONS IN MM. DO NOT SCALE PRINT

					STE TE Connectivity	
抱合電線断面(WIRE RANGE) mm(AWG -)			被覆外径(INSULATION DIA.) mmφ		名称(NAME) REC HSG FOR DYNAMIC,SINGLE ROW ダイナミック-3100リセハウジング	
材料(MATERIAL) SEE NOTE 注記参照			仕上(FINISH)		一般公差 (GENERAL TOLERANCE) 10以下 : ±0.2 10を超え 30以下 : ±0.25 30を超え 100以下 : ±0.3 角度 : ±3°	
DR. SEE 1 OF 2			仕上(FINISH) OF 2		SIZE A3	LOC J
LTR 変更 (REVISION RECORD)			DR	CHK	DATE	番号(No.) 178288
CHK. SEE 1			APP.		尺度(SCALE) 2-1	REV. E4
					SHEET 2 OF 2	

(CUSTOMER DRAWING) 顧客用図面

X-ON Electronics

Largest Supplier of Electrical and Electronic Components

Click to view similar products for [Headers & Wire Housings](#) category:

Click to view products by [TE Connectivity](#) manufacturer:

Other Similar products are found below :

[892-18-020-10-001101](#) [58102-G61-06LF](#) [582553-1](#) [0009485154](#) [009176003701906](#) [0050291907](#) [LY20-4P-DT1-P1E-BR](#) [02.125.8002.8](#)
[609-3404](#) [61062-3](#) [61082-181009](#) [622-3653LF](#) [63453-116](#) [636-1030](#) [636-1427](#) [636-3427](#) [636-4007](#) [641938-9](#) [641991-4](#) [644827-2](#) [65817-010LF](#) [65817-015LF](#) [65863-015LF](#) [66207-023LF](#) [67095-007LF](#) [67601157](#) [68645-018](#) [68648-049](#) [70.362.1628.0](#) [70-4210](#) [70-4226B](#) [70-4853B](#) [707-5020](#) [707-5028](#) [71.350.2428.0](#) [71918-208LF](#) [71961-016LF](#) [733-134](#) [733-162](#) [754199-000](#) [760-3052](#) [787-8014-00](#) [79531-3000](#)
[FCN-360C032-B](#) [FCN-367T-T012/H](#) [FCN-723D010/2](#) [80.063.4001.1](#) [800-90-001-10-001000](#) [800-90-010-10-002000](#) [801-43-002-10-013000](#)