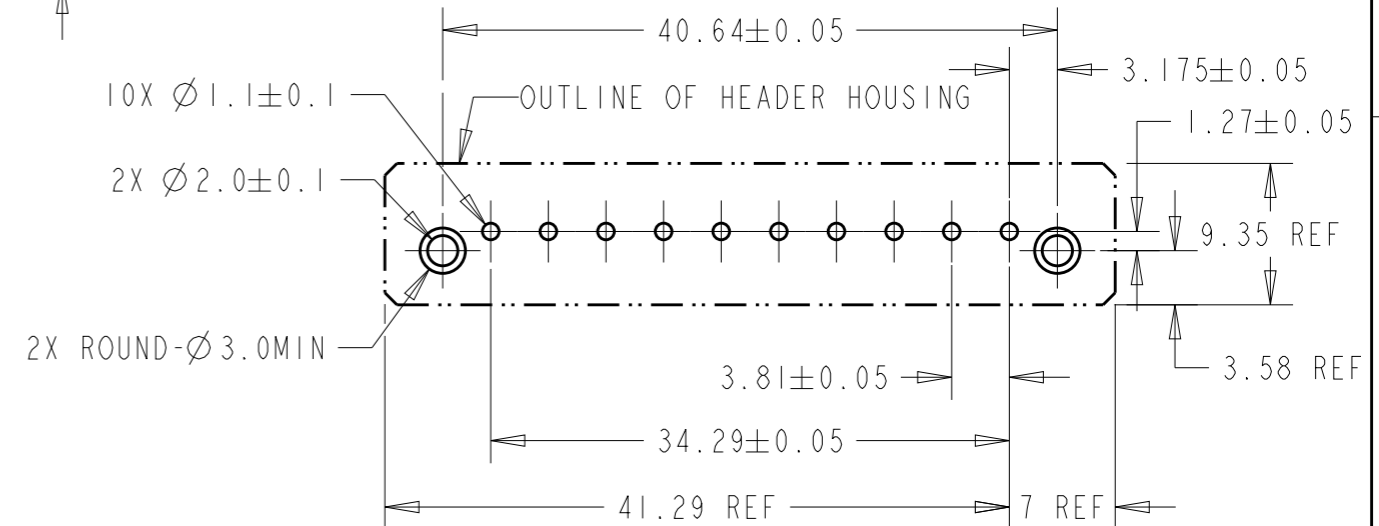
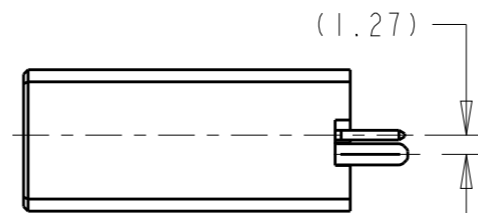
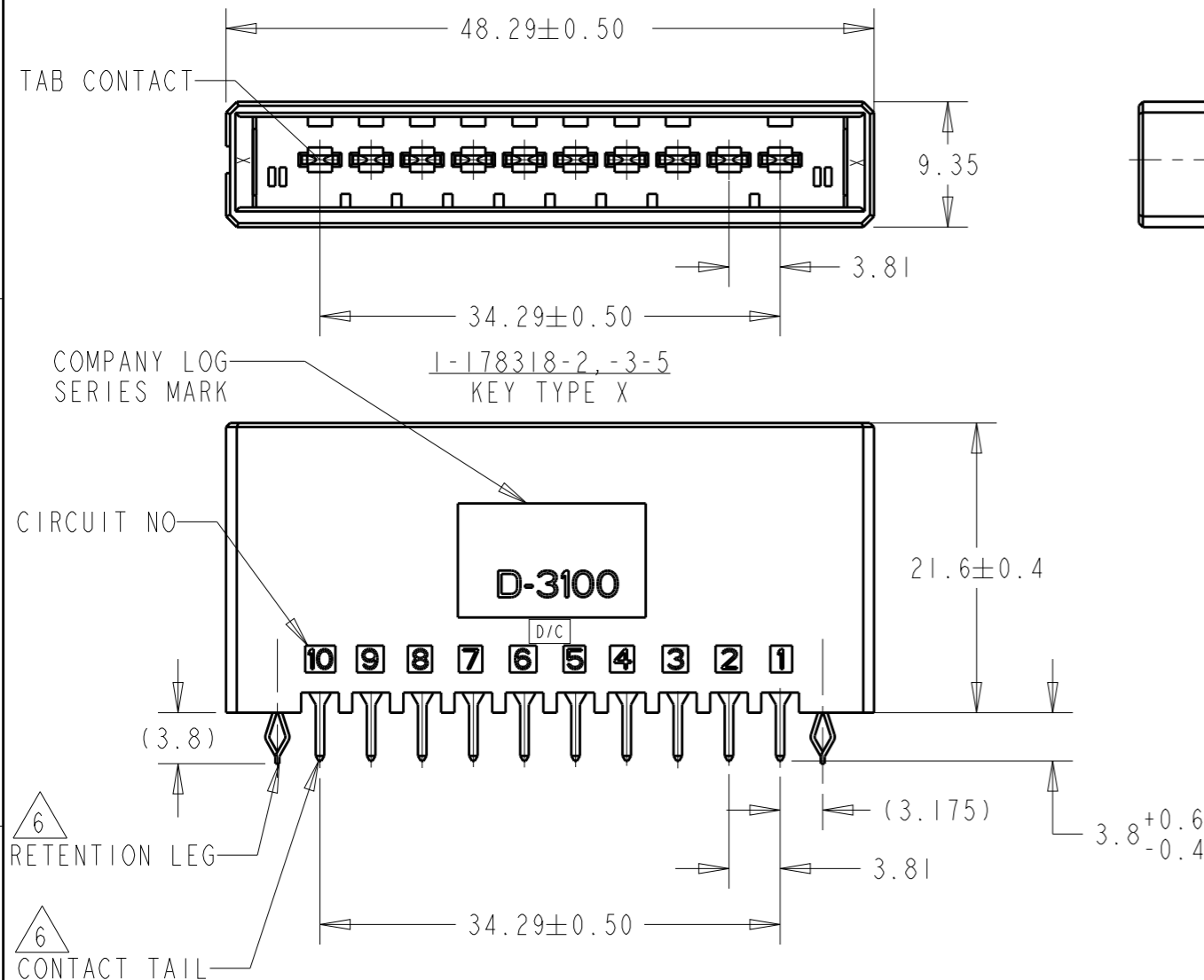
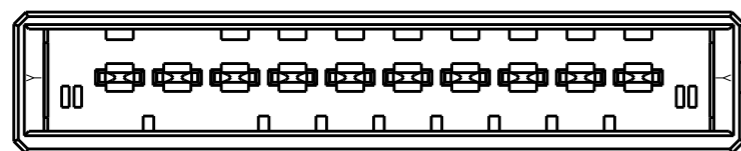


P	LTR	DESCRIPTION	DATE	DWN	APVD
D2		REVISED PER ECO-11-005030	24MAR2011	RK	HMR
E		REVISED PER ECR-20-003937	16MAR2020	T.S	E.I




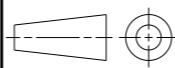
RECOMEND PC BOARD HOLE PATTERN  
PC BOARD THICKNESS:  $1.6 \pm 0.1$   
(NOT ACCUMULATE TOLERANCE)  
(CONNECTOR MOUNT SIDE)

- MATERIAL: HOUSING : GLASS FILED THERMO PLASTIC, POLYESTER  
CONTACT: COPPER ALLOY  
RETENTION LEG: COPPER ALLOY
- FINISH (CONTACT AREA):  $0.38 \mu\text{m}$  MIN GOLD PLATING OVER Ni PLATING.
- FINISH (CONTACT AREA):  $0.76 \mu\text{m}$  MIN GOLD PLATING OVER Ni PLATING.
- FINISH (CONTACT AREA):  $2.0 \mu\text{m}$  MIN TIN PLATED OVER NICKEL.
- NOTE DELETED
- FINISH (RETENTION LEG): TIN PLATED  
(CONTACT TAIL) OVER NICKEL.
- OBSOLETE PARTS: OBSOLETE CIS STREAMLINING PER D.RENAUD/D.SINISI.



2-178318-2, -3, -5  
KEY TYPE Y

Y	$\triangle 6$	$\triangle 4$	2-178318-5	OBSOLETE $\triangle 7$
	$\triangle 6$	$\triangle 3$	2-178318-3	
	$\triangle 6$	$\triangle 2$	2-178318-2	
X	$\triangle 6$	$\triangle 4$	1-178318-5	
	$\triangle 6$	$\triangle 3$	1-178318-3	
	$\triangle 6$	$\triangle 2$	1-178318-2	
KEYING	FINISH	PART NO		

THIS DRAWING IS A CONTROLLED DOCUMENT.		DWN T. SHIMOYASU 16MAR2020	 TE Connectivity	
DIMENSIONS: mm		CHK E. IKEMATSU 16MAR2020		
TOLERANCES UNLESS OTHERWISE SPECIFIED:		APVD E. IKEMATSU 16MAR2020	NAME 10POSN VERTICAL HEADER ASSEMBLY DYNAMIC D3100S	
 0 PLC $\pm 0.3$ 1 PLC $\pm 0.3$ 2 PLC $\pm 0.3$ 3 PLC $\pm 0.3$ 4 PLC $\pm 0.3$ ANGLES $\pm$ FINISH $\pm 3$		PRODUCT SPEC 108-5349	RESTRICTED TO	
MATERIAL		APPLICATION SPEC -	SIZE A3	CAGE CODE 00779
		WEIGHT -	DRAWING NO C-178318	
		CUSTOMER DRAWING	SCALE 2:1	SHEET 1 OF 1
			REV E	

## X-ON Electronics

Largest Supplier of Electrical and Electronic Components

*Click to view similar products for [Headers & Wire Housings](#) category:*

*Click to view products by [TE Connectivity](#) manufacturer:*

Other Similar products are found below :

[892-18-020-10-001101](#) [58102-G61-06LF](#) [582553-1](#) [0009485154](#) [009176003701906](#) [0050291907](#) [LY20-4P-DT1-P1E-BR](#) [02.125.8002.8](#)  
[609-3404](#) [61062-3](#) [61082-181009](#) [622-3653LF](#) [63453-116](#) [636-1030](#) [636-1427](#) [636-3427](#) [636-4007](#) [641938-9](#) [641991-4](#) [644827-2](#) [65817-](#)  
[010LF](#) [65817-015LF](#) [65863-015LF](#) [66207-023LF](#) [67095-007LF](#) [67601157](#) [68645-018](#) [68648-049](#) [70.362.1628.0](#) [70-4210](#) [70-4226B](#) [70-](#)  
[4853B](#) [707-5020](#) [707-5028](#) [71.350.2428.0](#) [71918-208LF](#) [71961-016LF](#) [733-134](#) [733-162](#) [754199-000](#) [760-3052](#) [787-8014-00](#) [79531-3000](#)  
[FCN-360C032-B](#) [FCN-367T-T012/H](#) [FCN-723D010/2](#) [80.063.4001.1](#) [800-90-001-10-001000](#) [800-90-010-10-002000](#) [801-43-002-10-013000](#)