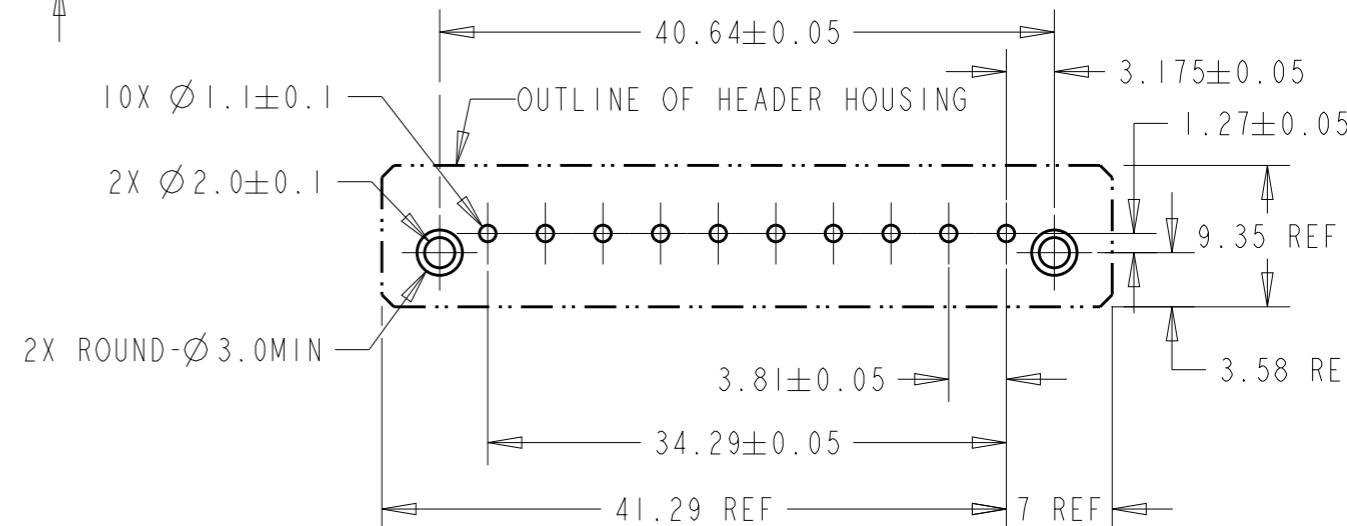
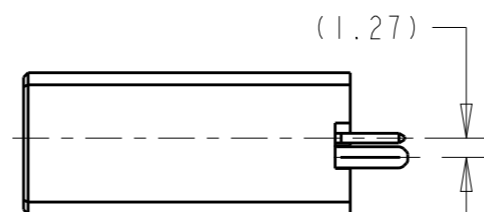
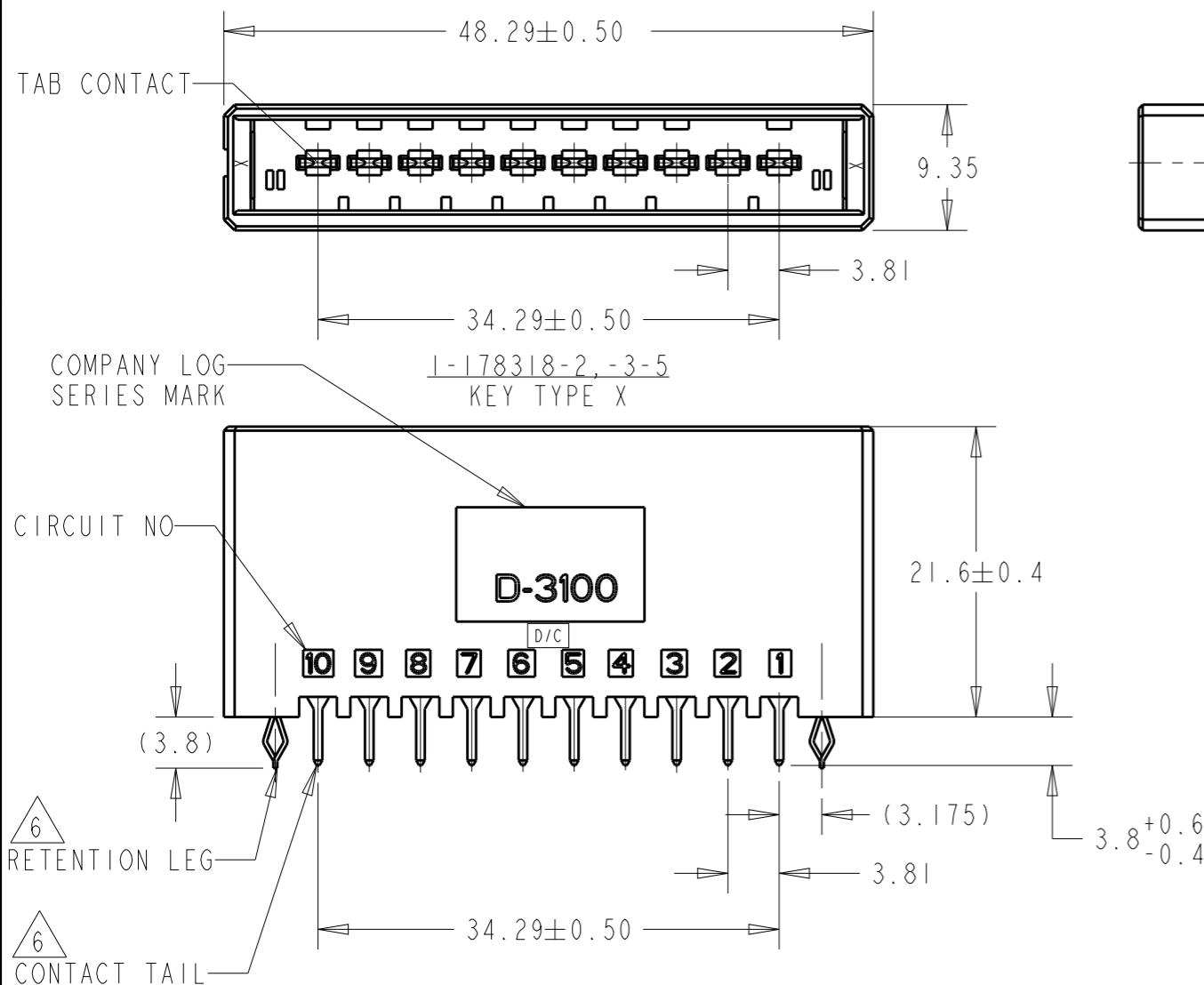
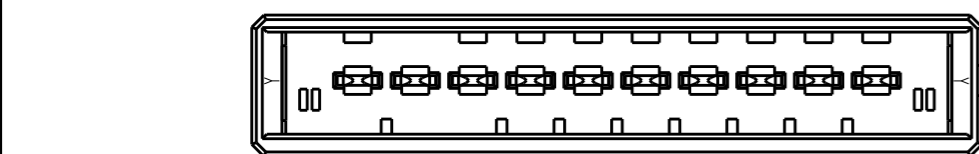


P	LTR	DESCRIPTION	DATE	DWN	APVD
D2		REVISED PER ECO-11-005030	24MAR2011	RK	HMR
E		REVISED PER ECR-20-003937	16MAR2020	T.S	E.I



RECOMEND PC BOARD HOLE PATTERN
PC BOARD THICKNESS: 1.6±0.1
(NOT ACCUMULATE TOLERANCE)
(CONNECTOR MOUNT SIDE)



2-178318-2, -3, -5
KEY TYPE Y

1. MATERIAL: HOUSING : GLASS FILED THERMO PLASTIC, POLYESTER
CONTACT: COPPER ALLOY
RETENTION LEG: COPPER ALLOY
2. FINISH (CONTACT AREA): 0.38umMIN GOLD PLATING OVER Ni PLATING.
3. FINISH (CONTACT AREA): 0.76umMIN GOLD PLATING OVER Ni PLATING.
4. FINISH (CONTACT AREA): 2.0umMIN TIN PLATED OVER NICKEL.
5. NOTE DELETED
6. FINISH (RETENTION LEG): TIN PLATED
(CONTACT TAIL) OVER NICKEL.
7. OBSOLETE PARTS: OBSOLETE CIS STREAMLINING PER D.RENAUD/D.SINISI.

Y	6	4	2-178318-5	OBSOLETE 7
	6	3	2-178318-3	
	6	2	2-178318-2	
X	6	4	1-178318-5	
	6	3	1-178318-3	
	6	2	1-178318-2	
KEYING	FINISH	PART NO		

THIS DRAWING IS A CONTROLLED DOCUMENT.		DWN T. SHIMOYASU 16MAR2020	TE Connectivity	
DIMENSIONS: mm		CHK E. IKEMATSU 16MAR2020		
TOLERANCES UNLESS OTHERWISE SPECIFIED:		APVD E. IKEMATSU 16MAR2020	NAME 10POSN VERTICAL HEADER ASSEMBLY DYNAMIC D3100S	
		PRODUCT SPEC 108-5349	RESTRICTED TO	
MATERIAL		APPLICATION SPEC -	SIZE A3	CAGE CODE 00779
FINISH		WEIGHT -	DRAWING NO C-178318	SCALE 2:1
		CUSTOMER DRAWING	SHEET 1 OF 1	REV E

X-ON Electronics

Largest Supplier of Electrical and Electronic Components

Click to view similar products for [Headers & Wire Housings](#) category:

Click to view products by [TE Connectivity](#) manufacturer:

Other Similar products are found below :

[892-18-020-10-001101](#) [58102-G61-06LF](#) [582553-1](#) [0009485154](#) [009176003701906](#) [0050291907](#) [LY20-4P-DT1-P1E-BR](#) [02.125.8002.8](#)
[609-3404](#) [61062-3](#) [61082-181009](#) [622-3653LF](#) [63453-116](#) [636-1030](#) [636-1427](#) [636-3427](#) [636-4007](#) [641938-9](#) [641991-4](#) [644827-2](#) [65817-](#)
[010LF](#) [65817-015LF](#) [65863-015LF](#) [66207-023LF](#) [67095-007LF](#) [67601157](#) [68645-018](#) [68648-049](#) [70.362.1628.0](#) [70-4210](#) [70-4226B](#) [70-](#)
[4853B](#) [707-5020](#) [707-5028](#) [71.350.2428.0](#) [71918-208LF](#) [71961-016LF](#) [733-134](#) [733-162](#) [754199-000](#) [760-3052](#) [787-8014-00](#) [79531-3000](#)
[FCN-360C032-B](#) [FCN-367T-T012/H](#) [FCN-723D010/2](#) [80.063.4001.1](#) [800-90-001-10-001000](#) [800-90-010-10-002000](#) [801-43-002-10-013000](#)