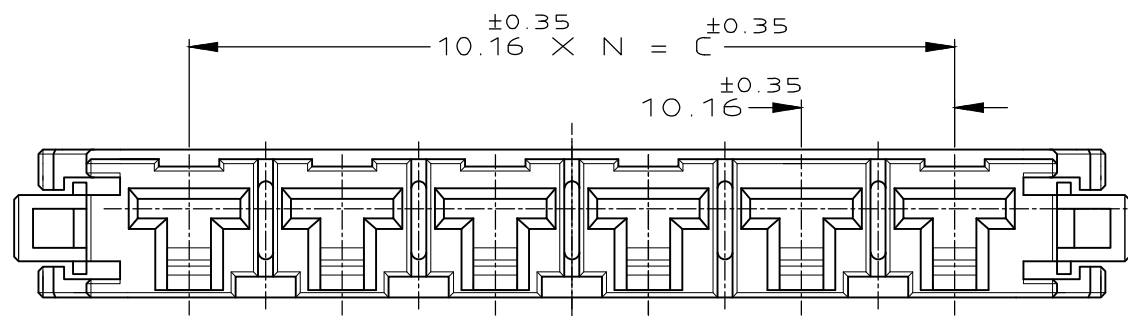
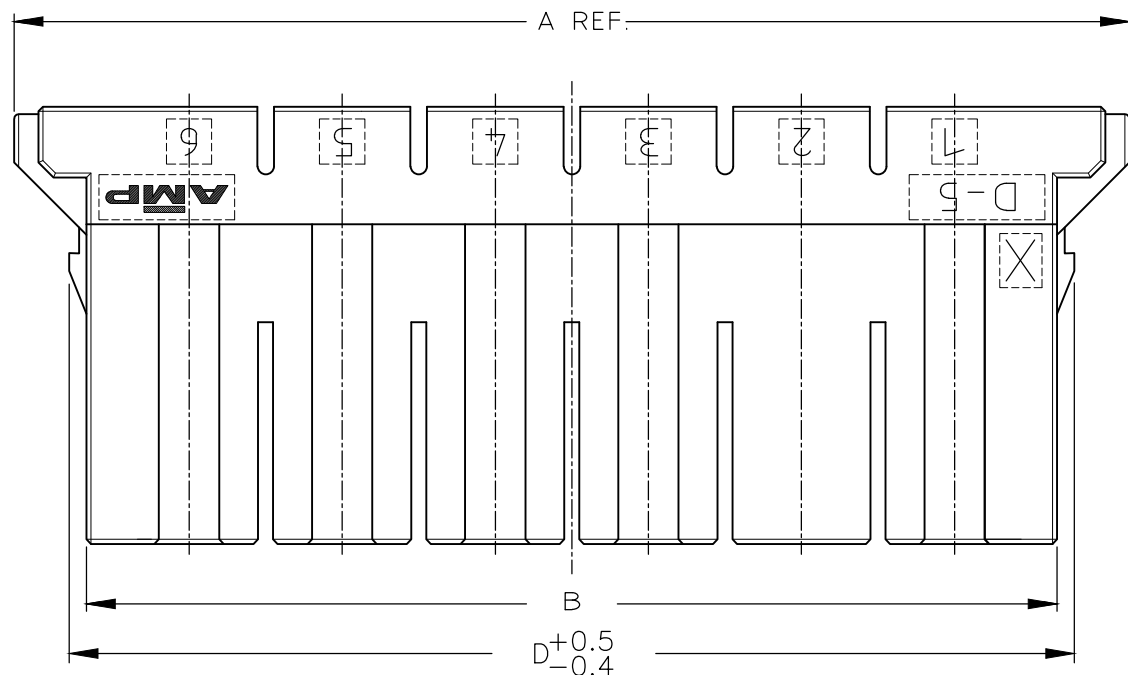
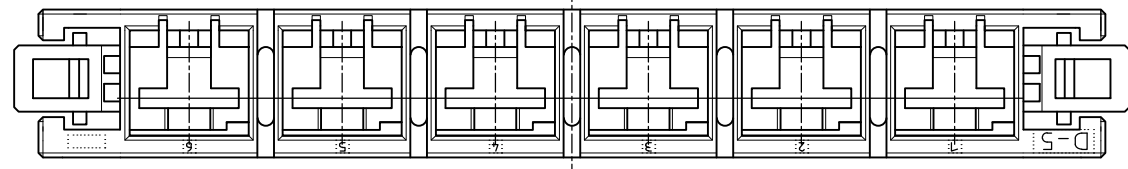
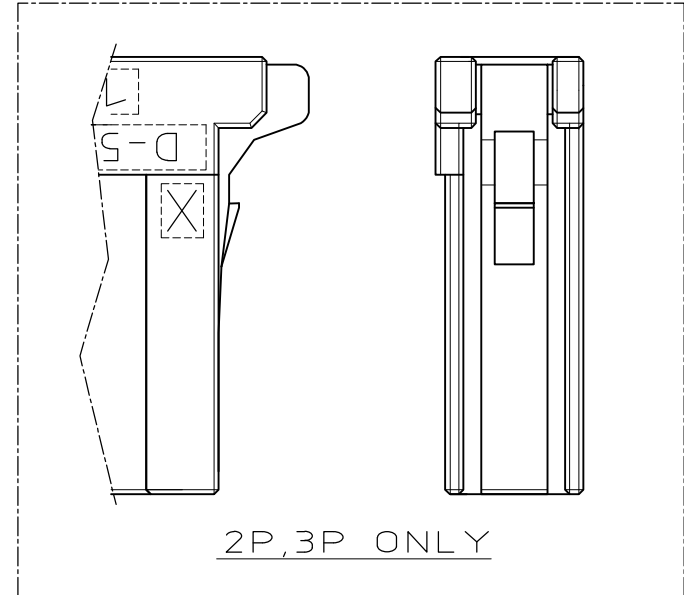
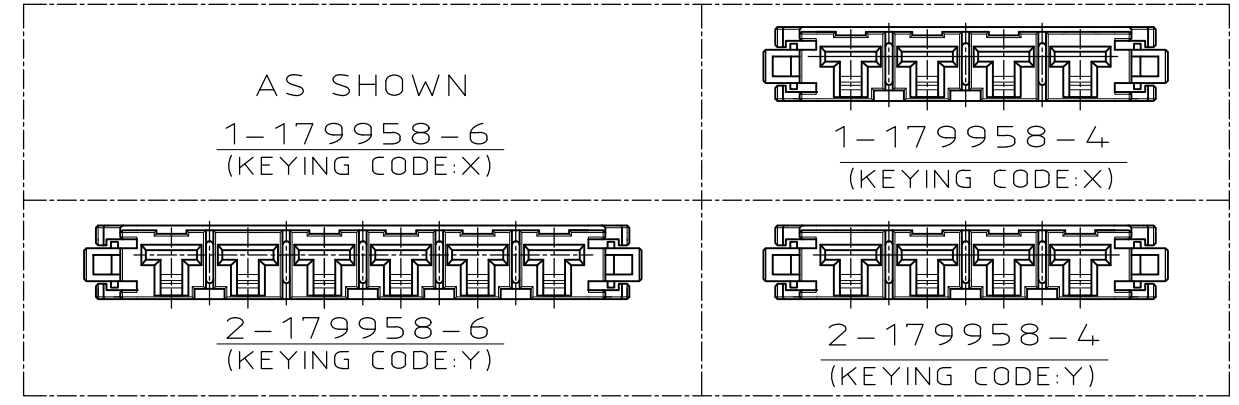


THIS DRAWING IS UNPUBLISHED. RELEASED FOR PUBLICATION  
 © COPYRIGHT - By Tyco Electronics Japan G.K. ALL RIGHTS RESERVED.

P		LTR		DESCRIPTION	DATE	DWN	APVD
	H			REVISED PER ECR-19-000804	17JAN2019	A.W	R.B



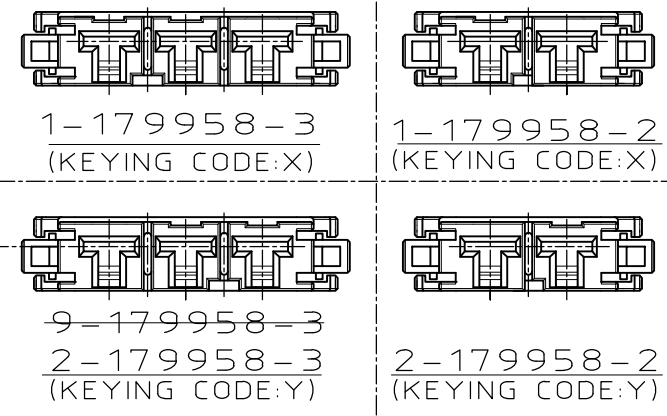
1-179958-6  
(KEYING CODE:X)



- 注記
- ① 材料 ハウジングガラス入り熱可塑性ポリエステル樹脂(94V-0),色 黒
  - ② ハウジング全面にテフロン塗装のこと
  - ③ 製品規格 : 108-5453

- NOTES
- ① MATERIAL:HOUSING:GLASS FILED THERMO PLASTIC POLYESTER(94V-0),COLOR:BLACK
  - ② TO COAT ALL SURFACE OF HOUSING WITH TEFLON
  - ③ PRODUCT SPEC :108-5453

FINISH	D	C	B	A	N	POS	COLOR	P/N
	66.70	50.8	64.4	73.02	5	6	BLACK	2-179958-6
							BLACK	1-179958-6
OBSOLETE								5-179958-4
							BLACK	2-179958-4
OBSOLETE	46.38	30.48	44.08	53.68	3	4	BLACK	1-179958-4
OBSOLETE								5-179958-3
							NATURAL	9-179958-3
							BLACK	2-179958-3
	36.22	20.32	33.92	45.92	2	3	BLACK	1-179958-3
							BLACK	2-179958-2
	26.06	10.16	23.76	35.76	1	2	BLACK	1-179958-2



THIS DRAWING IS A CONTROLLED DOCUMENT.

DIMENSIONS: mm	TOLERANCES UNLESS OTHERWISE SPECIFIED:	DWN Y.ISHIKAWA 22MAR1995	TE Connectivity
0 PLC ± 10 ±0.2	1 PLC ± 30 >10 ±0.25	CHK S.MANABE 23MAR1995	
2 PLC ± 100 >30 ±0.3	3 PLC ±	APVD S.MABABE 23MAR1995	
4 PLC ANGLES ±3°	FINISH	PRODUCT SPEC	
MATERIAL		APPLICATION SPEC	NAME
		WEIGHT 0	SINGLE ROW REC HSG DYNAMIC D-5200
		CUSTOMER DRAWING	SIZE A3 CAGE CODE 00779 DRAWING NO C-179958 RESTRICTED TO
			SCALE 2:1 SHEET 1 OF 1 REV H1

## X-ON Electronics

Largest Supplier of Electrical and Electronic Components

*Click to view similar products for [Headers & Wire Housings](#) category:*

*Click to view products by [TE Connectivity](#) manufacturer:*

Other Similar products are found below :

[892-18-020-10-001101](#) [58102-G61-06LF](#) [582553-1](#) [0009485154](#) [009176003701906](#) [0050291907](#) [LY20-4P-DT1-P1E-BR](#) [02.125.8002.8](#)  
[609-3404](#) [61062-3](#) [61082-181009](#) [622-3653LF](#) [63453-116](#) [636-1030](#) [636-1427](#) [636-3427](#) [636-4007](#) [641938-9](#) [641991-4](#) [644827-2](#) [65817-](#)  
[010LF](#) [65817-015LF](#) [65863-015LF](#) [66207-023LF](#) [67095-007LF](#) [67601157](#) [68645-018](#) [68648-049](#) [70.362.1628.0](#) [70-4210](#) [70-4226B](#) [70-](#)  
[4853B](#) [707-5020](#) [707-5028](#) [71.350.2428.0](#) [71918-208LF](#) [71961-016LF](#) [733-134](#) [733-162](#) [754199-000](#) [760-3052](#) [79531-3000](#) [FCN-](#)  
[360C032-B](#) [FCN-367T-T012/H](#) [FCN-723D010/2](#) [80.063.4001.1](#) [800-90-001-10-001000](#) [800-90-010-10-002000](#) [801-43-002-10-013000](#)  
[801-43-006-10-002000](#)