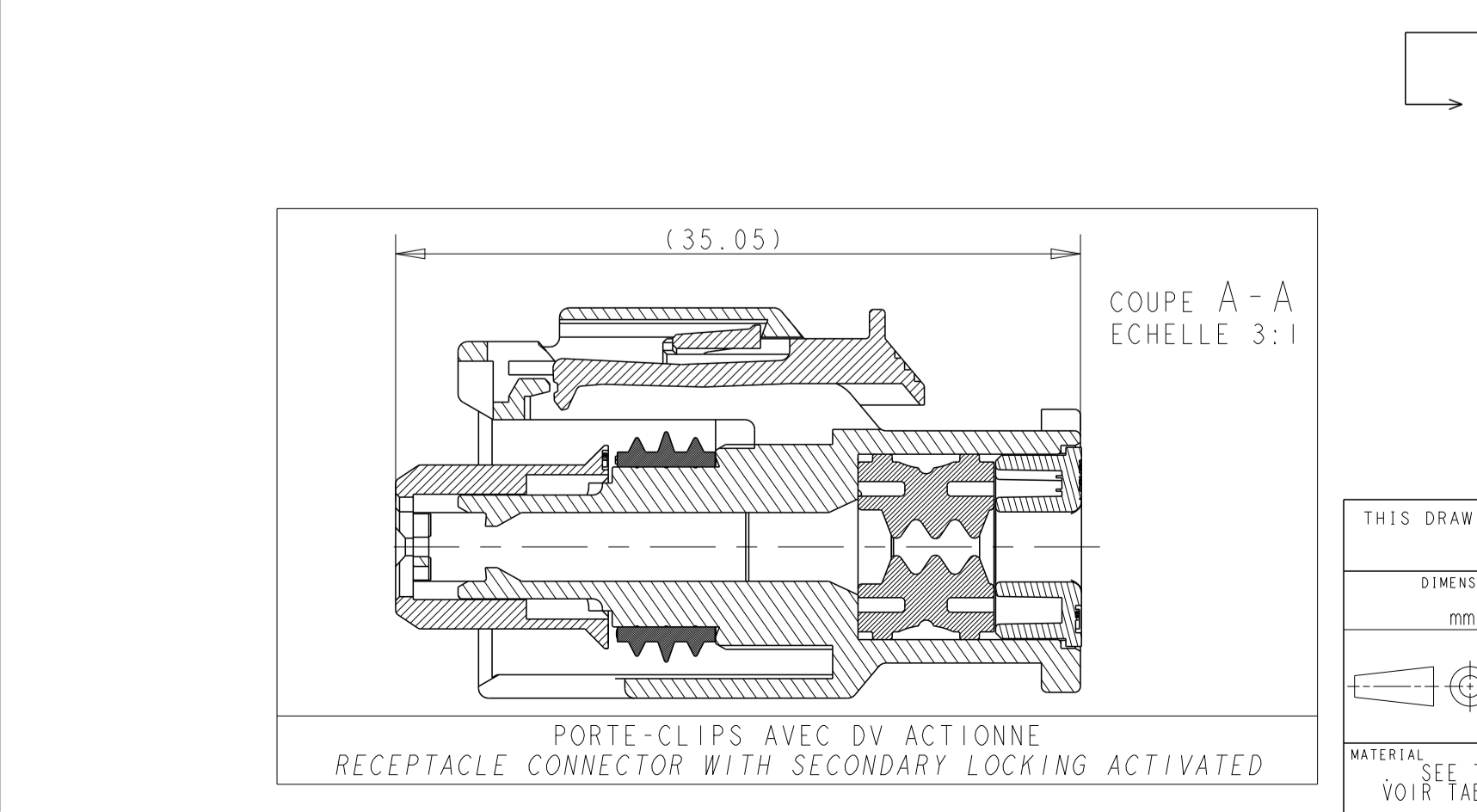
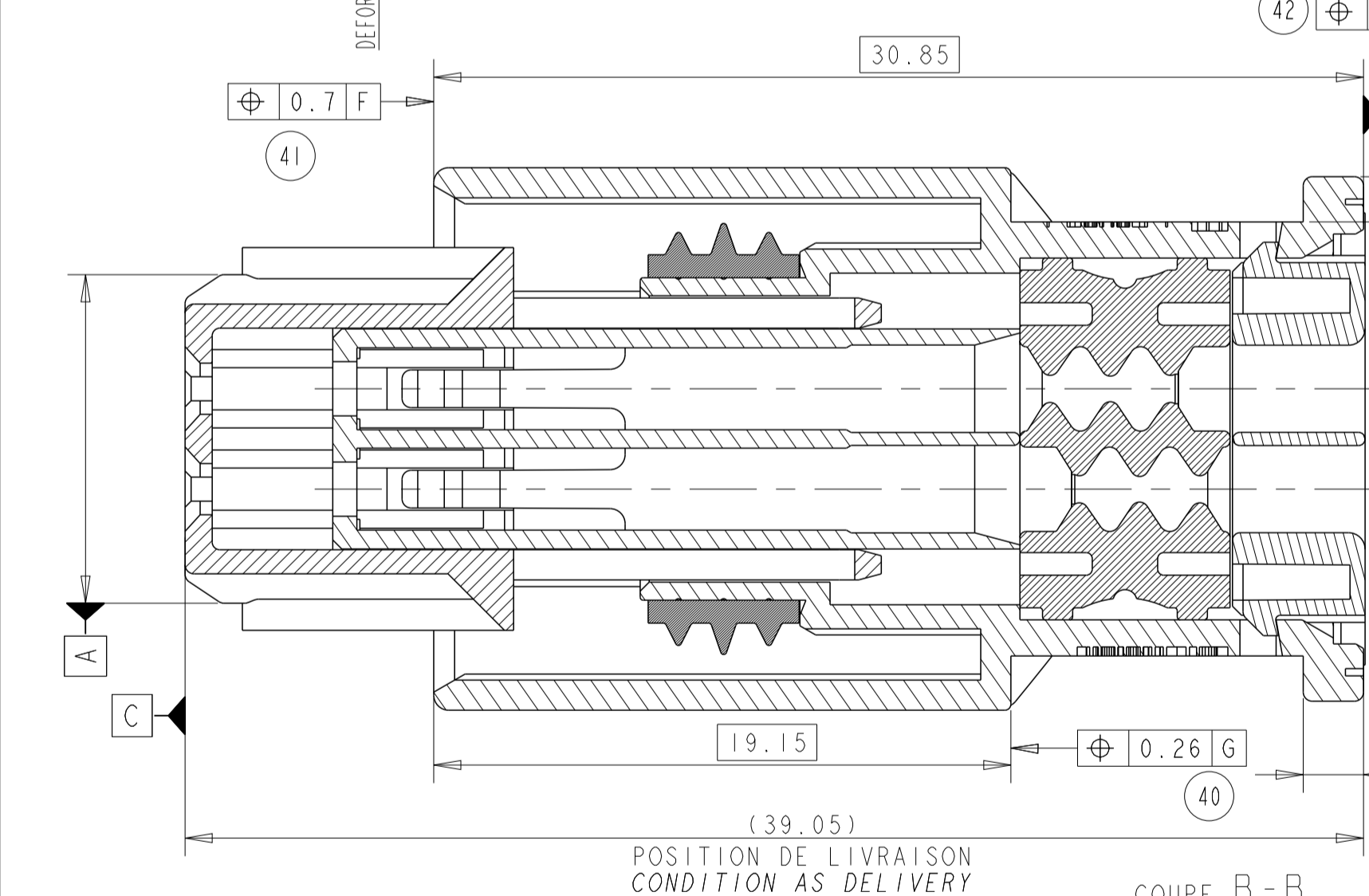
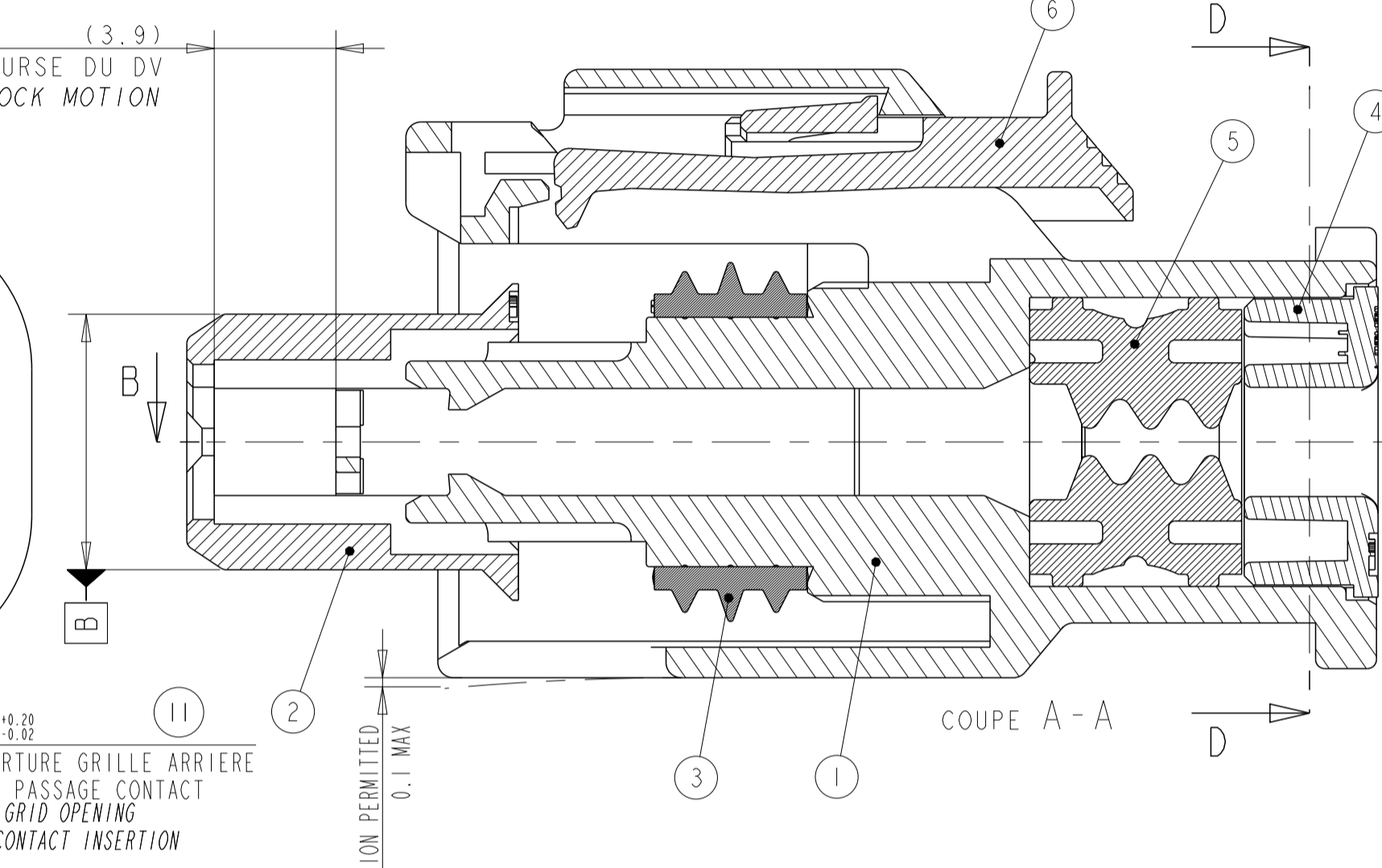
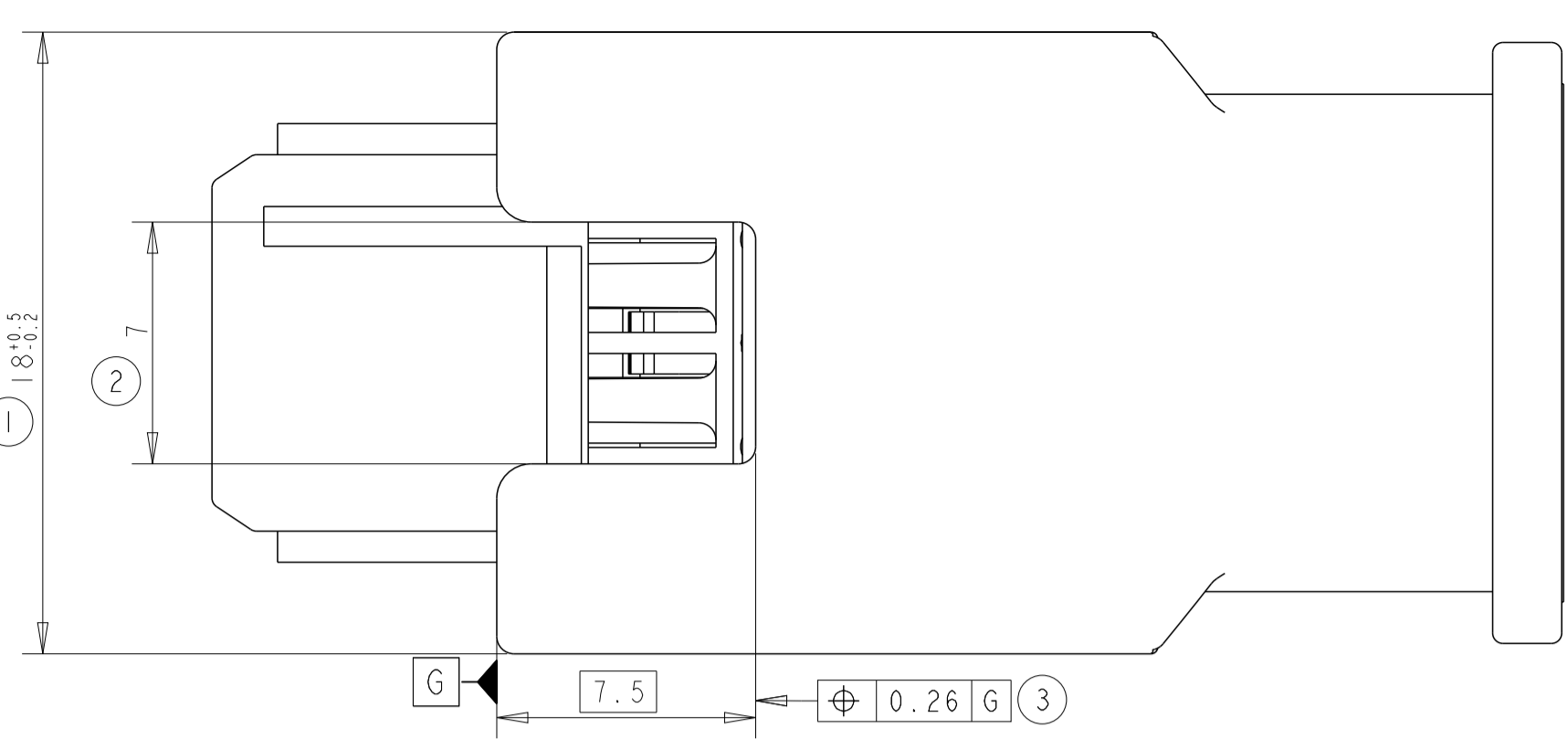
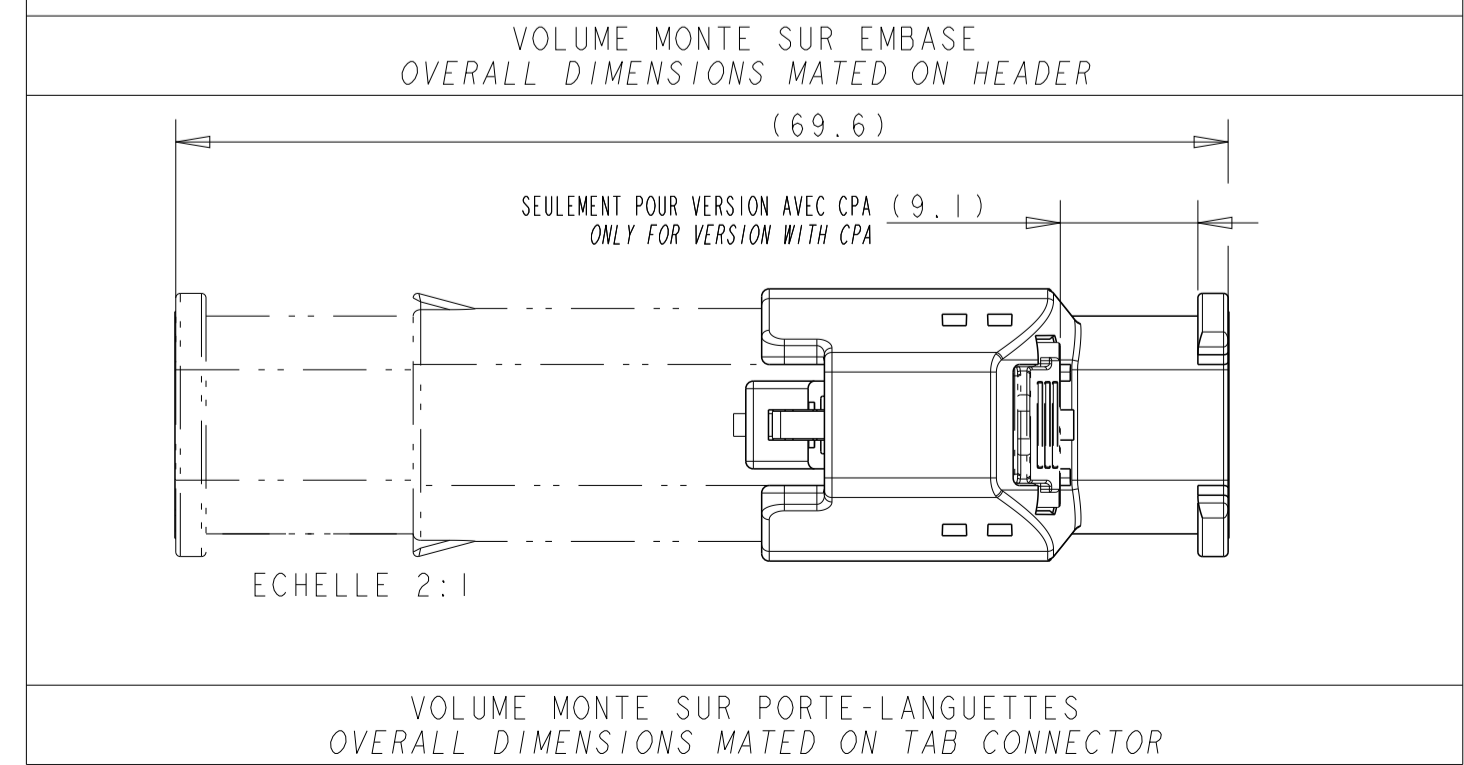
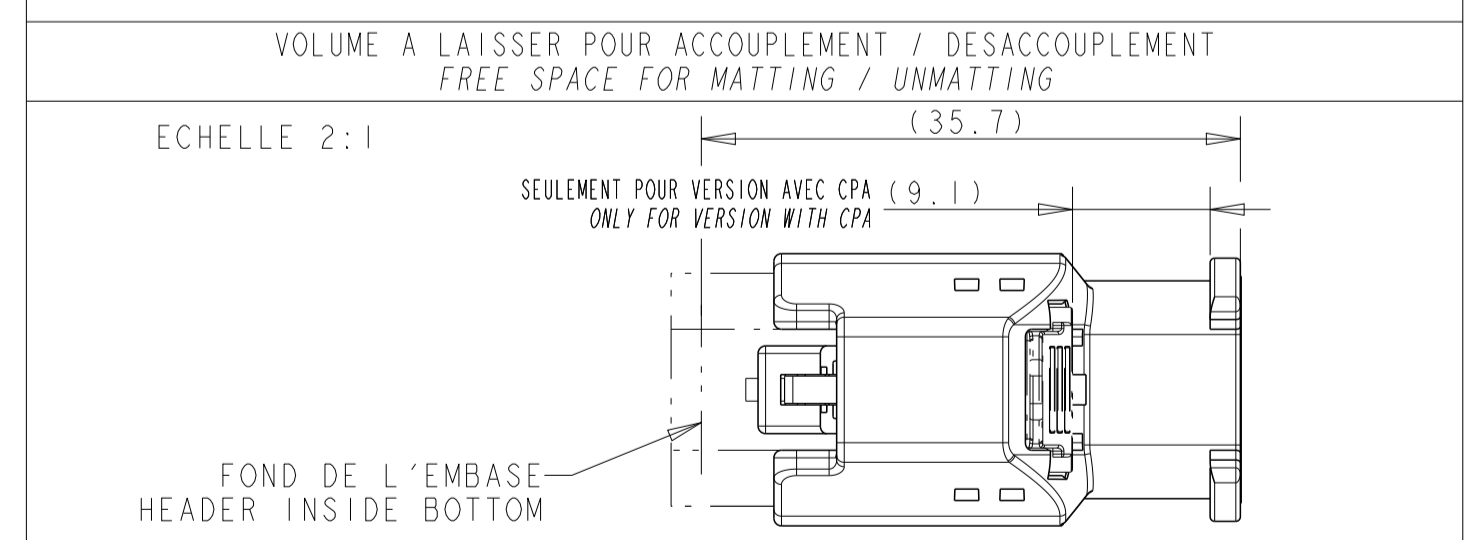
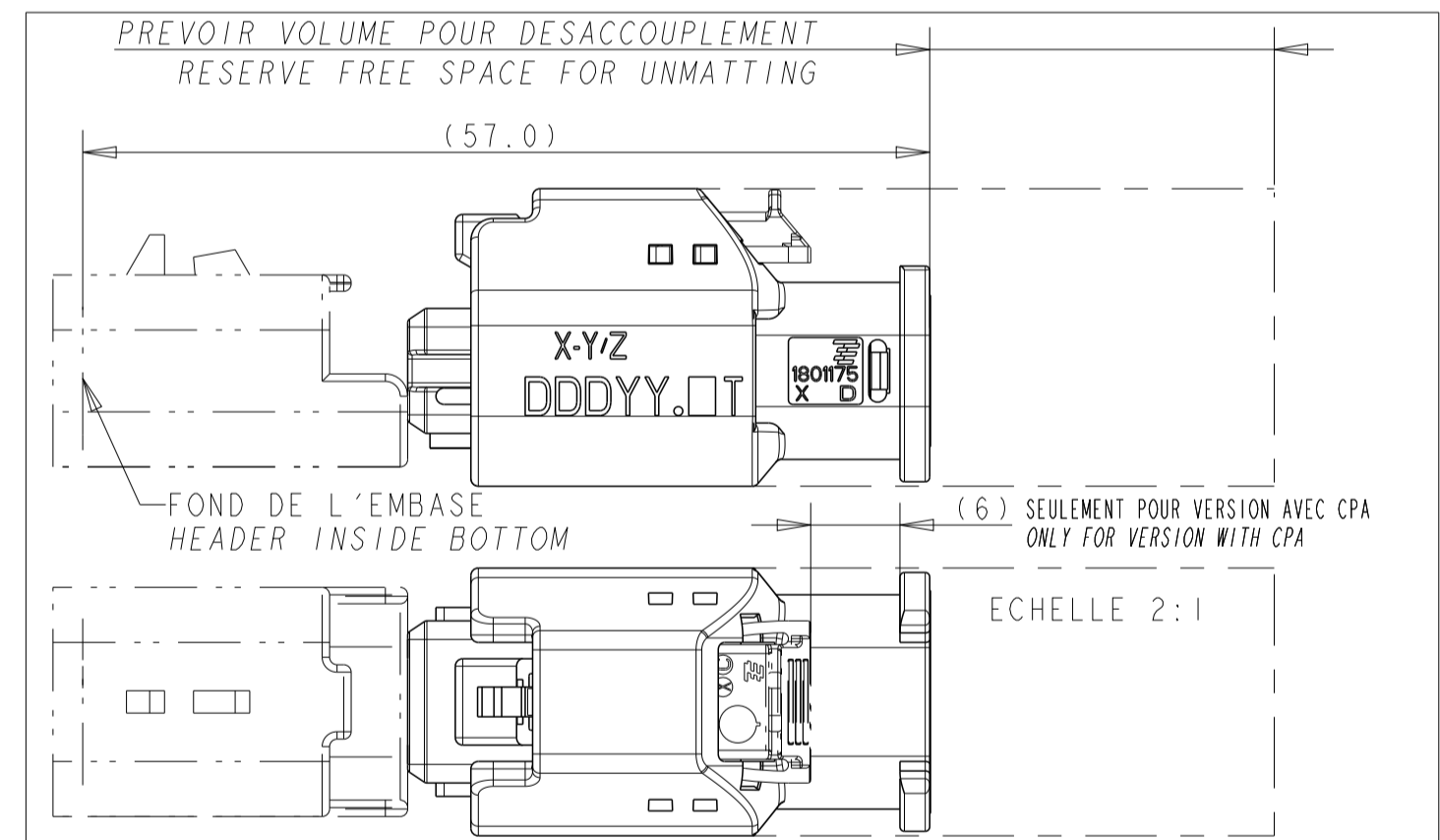
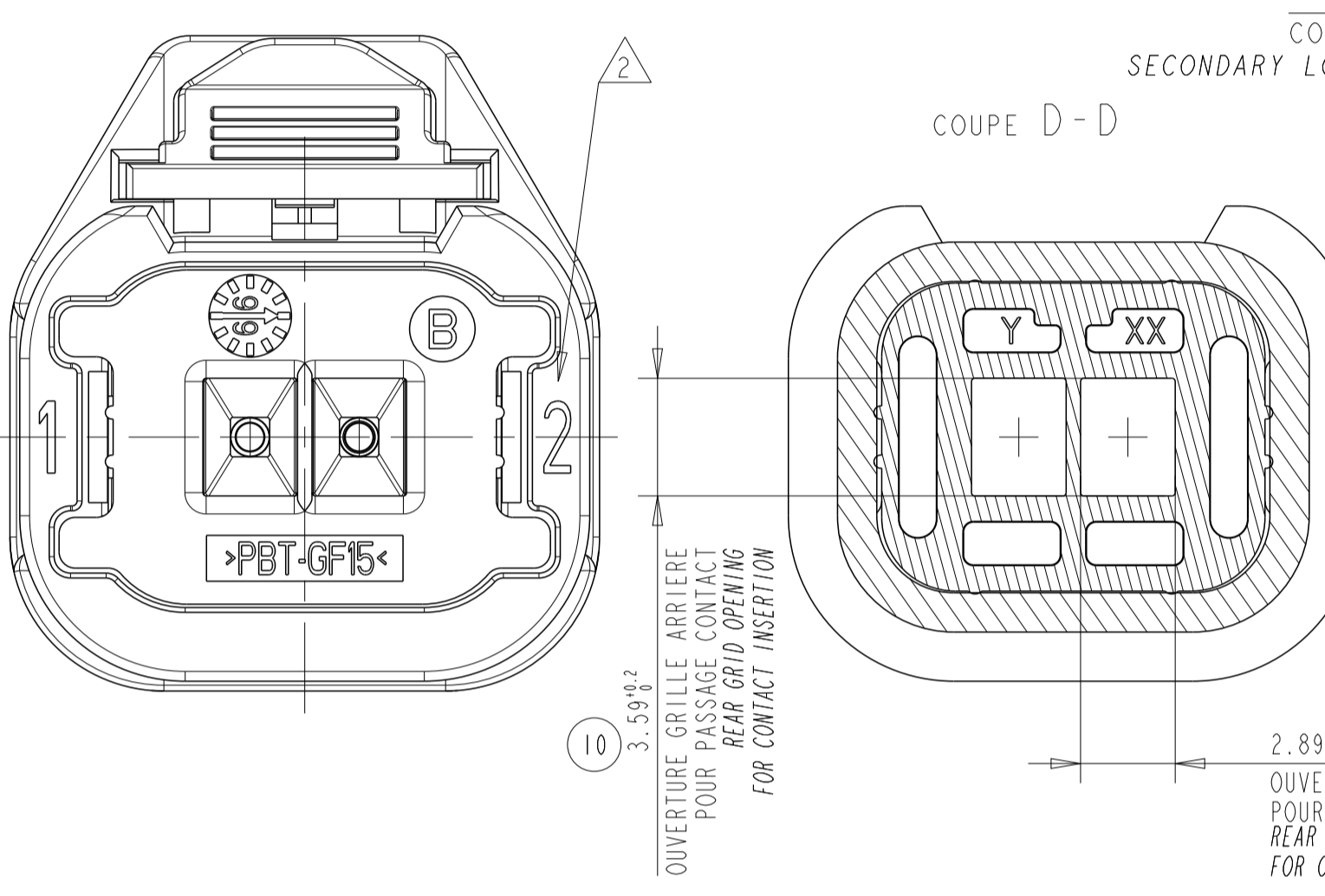
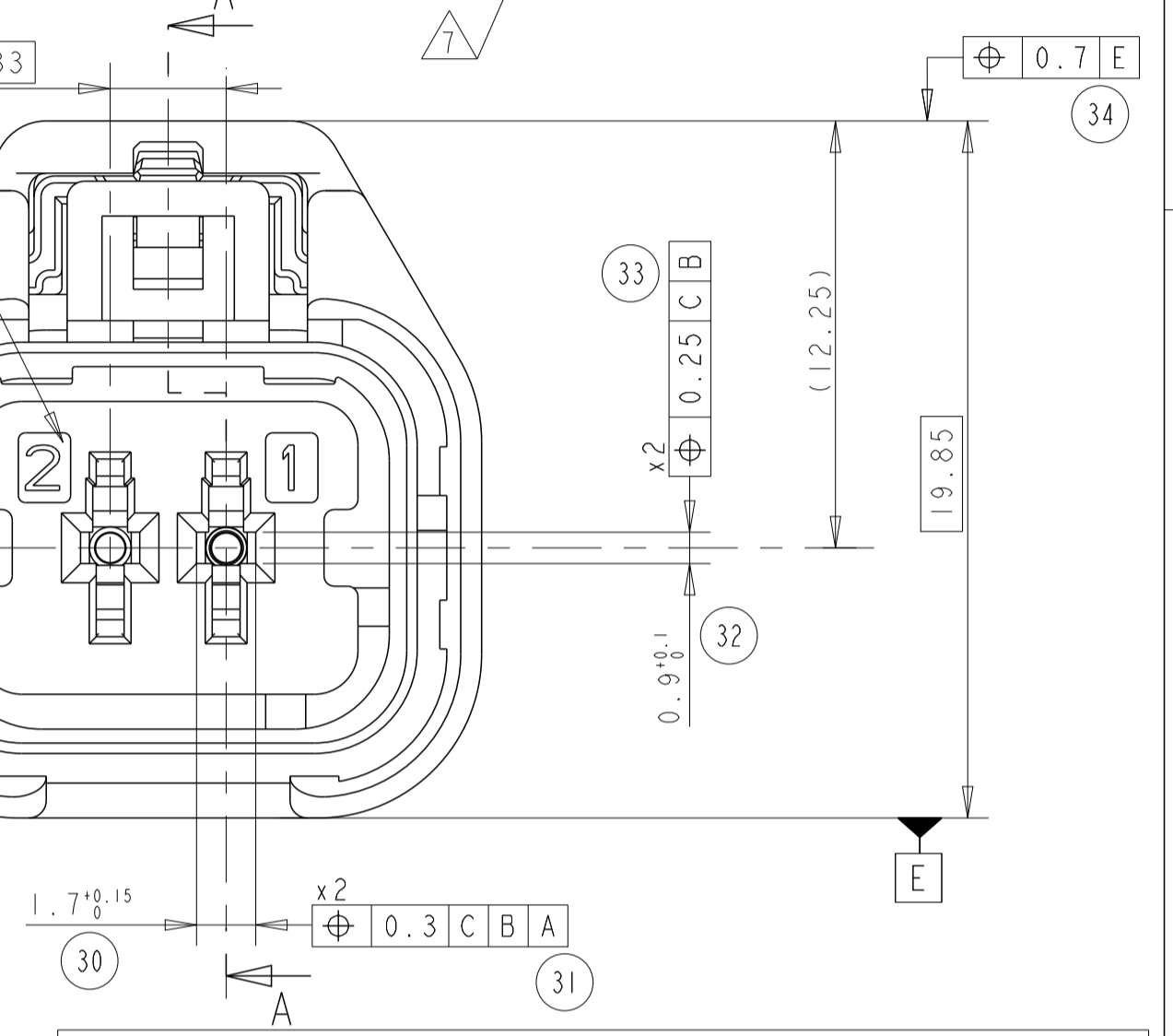
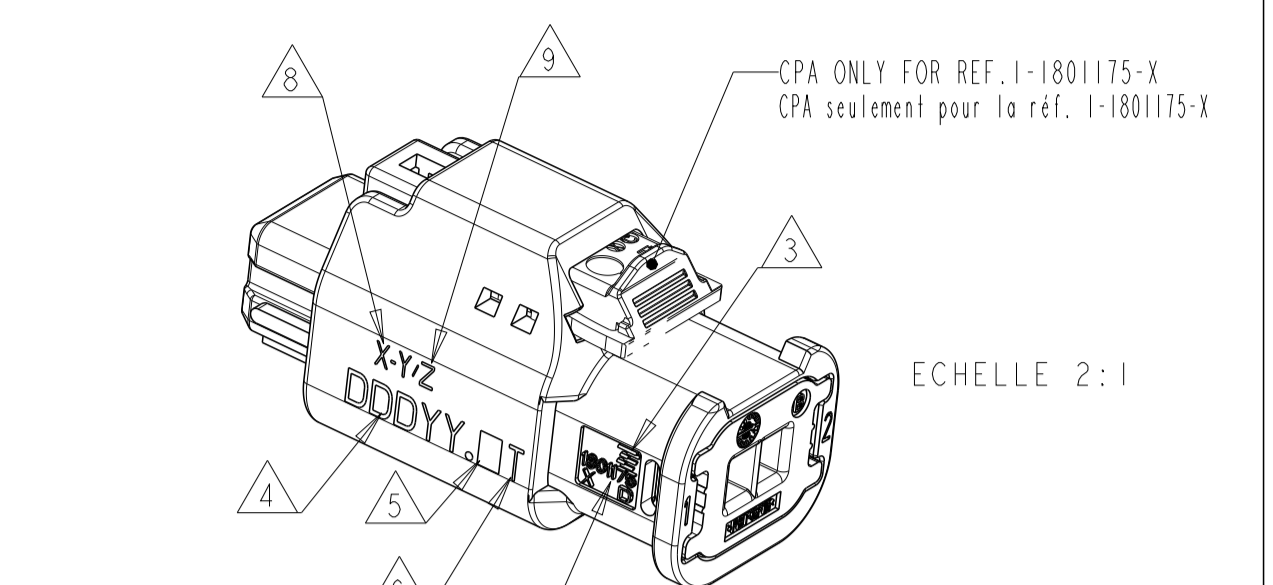


SANS CPA WITHOUT CPA		AVEC CPA WITH CPA		COULEUR COLOR	TOLERANCE POUR DETROMPAGE: ±0.05 KEYING TOLERANCE
REF TE NO.	INDICE DE REVISION PRODUCT REVISION NUMBER	REF TE NO.	INDICE DE REVISION PRODUCT REVISION NUMBER		
1801175-1	E	1-1801175-1	F	NOIR BLACK	
1801175-2	E	1-1801175-2	F	BLEU BLUE	
1801175-3	E	1-1801175-3	F	GRIS GREY	
1801175-4	E	1-1801175-4	F	JAUNE YELLOW	
1801175-5	E	1-1801175-5	F	VERT GREEN	
1801175-6	E	1-1801175-6	F	MARRON BROWN	
1801175-7	E	1-1801175-7	F	BLANC WHITE	
1801175-8	E	1-1801175-8	F	ROUGE RED	
1801175-9	E	1-1801175-9	F	ORANGE ORANGE	

- NOTES/NOTES:
- 1- 1-1801175-1 REPRESENTE (COD. NOIR) / AS SHOWN (COD. BLACK)
 - 2 REPERE ALVEOLES / CAVITY MARKING
 - 3 LOGO TE / TE LOGO
 - 4 DATE D'ASSEMBLAGE / ASSEMBLY DATE
 - 5 CODE DU LIEU D'ASSEMBLAGE / ASSEMBLY LOCATION DATE
 - E = EUROPE / EUROPE
 - C = CHINE / CHINA
 - M = MERCOSUR / MERCOSUR
 - J A = AFRIQUE / AFRICA
 - 6 NUMERO DE LA MACHINE D'ASSEMBLAGE / NUMBER ASSEMBLY LINE
 - 7 REF TE DE L'ASSEMBLAGE (RACINE) / TE ASSEMBLY NO (RACINE)
 - 8 REF TE DE L'ASSEMBLAGE (SUFFIXE) / TE ASSEMBLY NO (SUFFIX)
 - 9 INDICE DE REVISION PRODUIT / PRODUCT REVISION NUMBER
 - 10- PIECES A UTILISER AVEC VOIR TABLEAU "COMPOSANTS ASSOCIES" / MATED WITH : SEE TABLE "ASSOCIATED PARTS"



LOC		DIST		REVISIONS			
F	00	P	LYN	DESCRIPTION	DATE	DWN	APVD
		H		DRAWING REVISION	07NOV2013	FJ	XR
		J		UPDATED NOTE 5 WITH NEW PLANT CODE	25OCT2018	ASB	GKT



DESCRIPTION / TITLE	TE NO / REF TE
CAPOT FIXE 2 VOIES - SORTIE GAUCHE/DROITE / FIXED COVER 2 WAYS - LEFT/RIGHT EXIT	1801466-1
CAPOT FIXE 2 VOIES - SORTIE HAUT/BAS / FIXED COVER 2 WAYS - UP/DOWN EXIT	1801466-2
CAPOT FIXE 2 VOIES - SORTIE AXIALE / FIXED COVER 2 WAYS - EXIT IN LINE	1801155-5
CAPOT ROTATIF 90 DEG. 2 VOIES / ROTATIVE COVER 90 DEG. 2 WAYS	1801356-1
CLIP 1.5 SENSOR 11 DORE Section 1.4 à 2mm ² / RECEPTACLE 1.5 SENSOR 11 GOLD PLATED Section 1.4 to 2mm ²	1670328-1
CLIP 1.5 SENSOR 11 DORE Section 0.75 à 1mm ² / RECEPTACLE 1.5 SENSOR 11 GOLD PLATED Section 0.75 to 1mm ²	1670326-1
CLIP 1.5 SENSOR 11 DORE Section 0.35 à 0.5mm ² / RECEPTACLE 1.5 SENSOR 11 GOLD PLATED Section 0.35 to 0.5mm ²	1564724-1
OBTURATEUR "MINI-ETANCHE" / "MINI-ETANCHE" PLUGGING PIN	
PORTE-LANGUETTES 2 VOIES HP / 2 WAYS TAB CONNECTOR HP	1801174-X

COULEUR / COLOR	MATIERE / MATERIAL	DESCRIPTION / TITLE	REP. ITEM
ORANGE	PBT-GF15 (MATIERE: HB) / (HB MATERIAL)	CPA / CPA	6
VERT / GREEN	SILICONE LUBRIFIE A 5% ; DURETE 30 SHORE A / LUBRIFICATED SILICON TO 5% ; HARNESS 30 SH. A	JOINT GROMMET / GROMMET SEAL	5
NOIR / BLACK	PBT-GF15 (MATIERE: HB) / (HB MATERIAL)	GRILLE ARRIERE / REAR GRID	4
VERT / GREEN	SILICONE LUBRIFIE A 4% ; DURETE 50 SHORE A / LUBRIFICATED SILICON TO 4% ; HARNESS 50 SH. A	JOINT INTERFACIAL / INTERFACE SEAL	3
VOIR TABLEAU DES REF. / SEE TABLE OF PART NO	PBT-GF15 (MATIERE: HB) / (HB MATERIAL)	DOUBLE VERROUILLAGE / COUAGE (VOIR TABLEAU DES REFS) / SECONDARY LOCKING / CODING (SEE TABLE OF PART NO)	2
NOIR / BLACK	PBT-GF15 (MATIERE: HB) / (HB MATERIAL)	BOTIER PORT-CLIPS / RECEPTACLE HOUSING	1

THIS DRAWING IS A CONTROLLED DOCUMENT.

DIMENSIONS: mm

TOLERANCES UNLESS OTHERWISE SPECIFIED:

0 PLC	±
1 PLC	±0.1
2 PLC	±0.2
3 PLC	±0.3
4 PLC	±0.4
ANGLES	±0.2°

MATERIAL: SEE TABLE VOIR TABLEAU

FINISH: -

Customer Drawing

DWN: JODON 20JUN2007
 CHK: X. ROULLIARD 27JUN2007
 APVD: X. ROULLIARD 27JUN2007

PRODUCT SPEC: 108-15378
 APPLICATION SPEC: 411-15712

WEIGHT: 5.2g / 6.7g ^{MIN} CPA

Customer Drawing

TE Connectivity

NAME: 2 WAYS RECEPTACLE CONNECTOR HP / PORTE-CLIPS 2 Voies HP

SIZE: 5:1

SCALE: 5:1

SHEET: 1 OF 1

REV: J

Customer Drawing

SCALE: 5:1

SHEET: 1 OF 1

REV: J

X-ON Electronics

Largest Supplier of Electrical and Electronic Components

Click to view similar products for [Automotive Connectors](#) category:

Click to view products by [TE Connectivity](#) manufacturer:

Other Similar products are found below :

[003-018-000](#) [600858](#) [60403001](#) [60993906-B](#) [60993913-B](#) [629515004020001](#) [M902-2131](#) [M902-2161](#) [M902-2344](#) [72.330.1035.1](#)
[73.353.4028.0](#) [F118010](#) [F119300-B](#) [F132210](#) [F132210-B](#) [F166900](#) [F180100](#) [F258300](#) [F258300-B](#) [F294300-B](#) [F339100](#) [F339700](#) [F358300-](#)
[B](#) [F374110](#) [F407400](#) [F412210](#) [F427600](#) [F444110](#) [F487000](#) [F495100-B](#) [F500900-B](#) [F509500B-B](#) [770444-1](#) [776880-1](#) [827153-1](#) [881735-1](#)
[8N1515-32-24P](#) [9-1326727-8](#) [9-1326729-8](#) [925467-1](#) [925474-1](#) [928905-1](#) [936398-2](#) [964562-1](#) [964562-4](#) [964731-2](#) [965051-1](#) [968782-1](#)
[GT17SA-8DS-HU](#) [GT17VS-10DP-5.2CF](#)