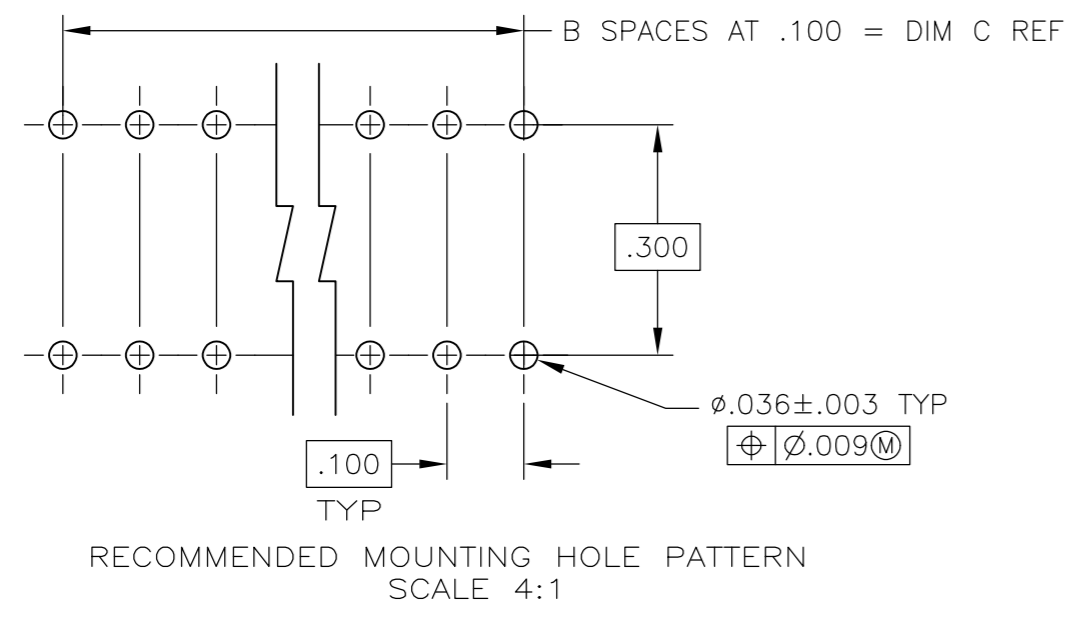
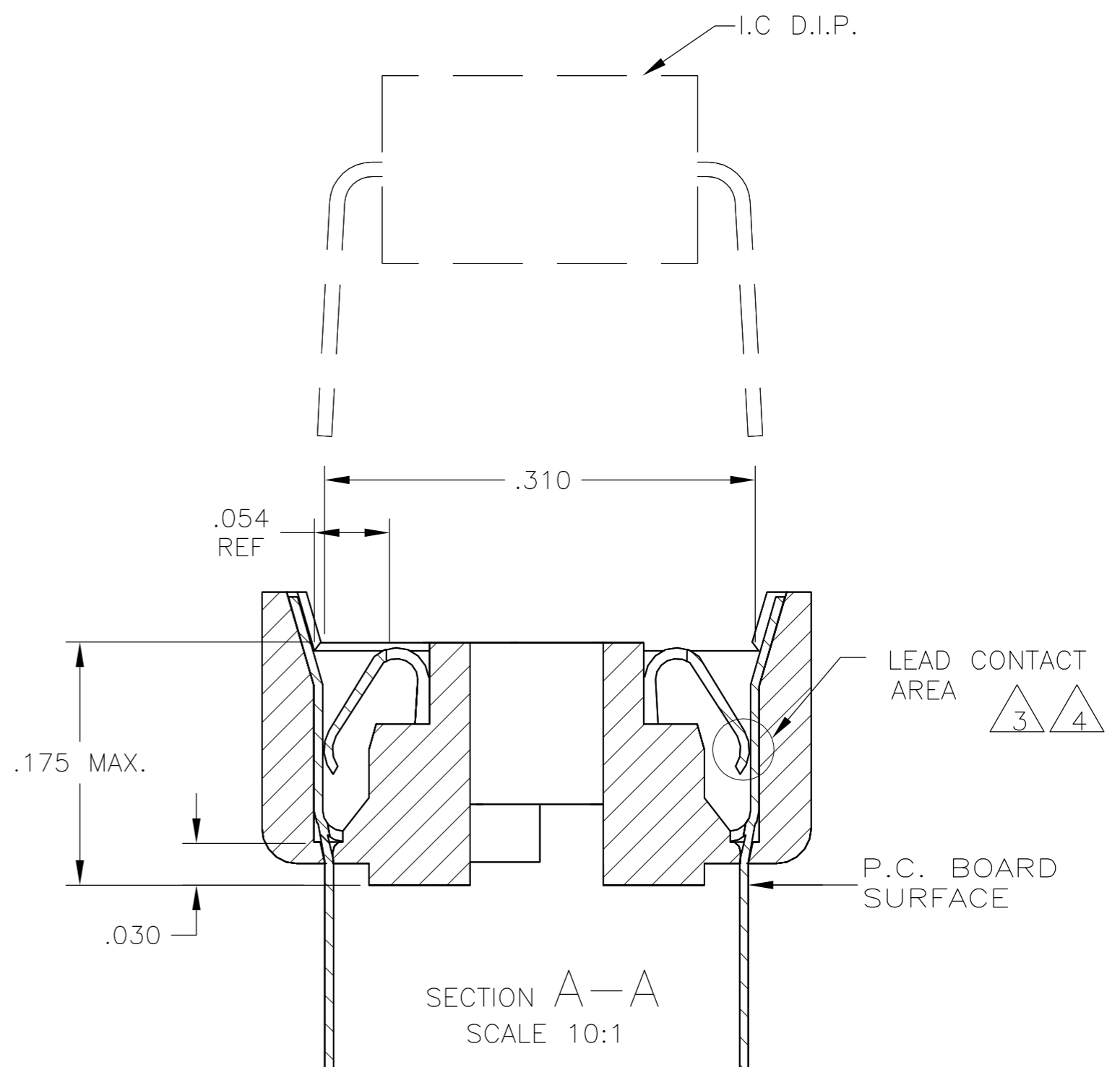
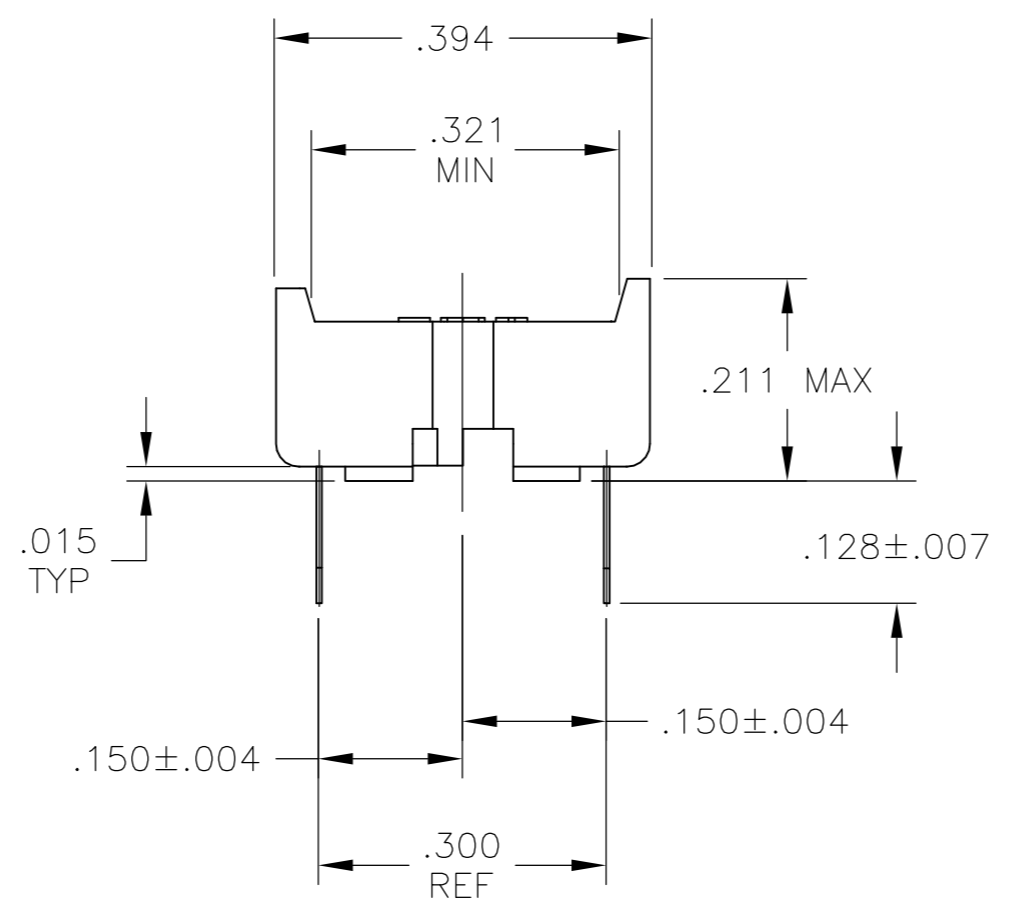
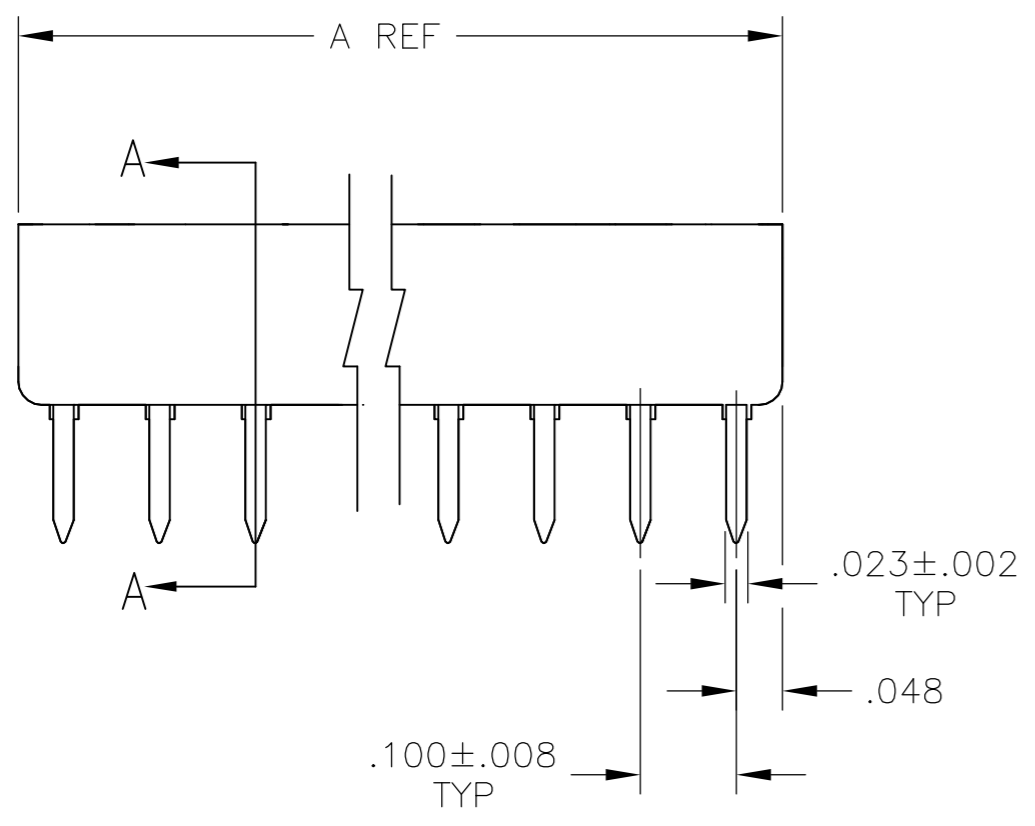
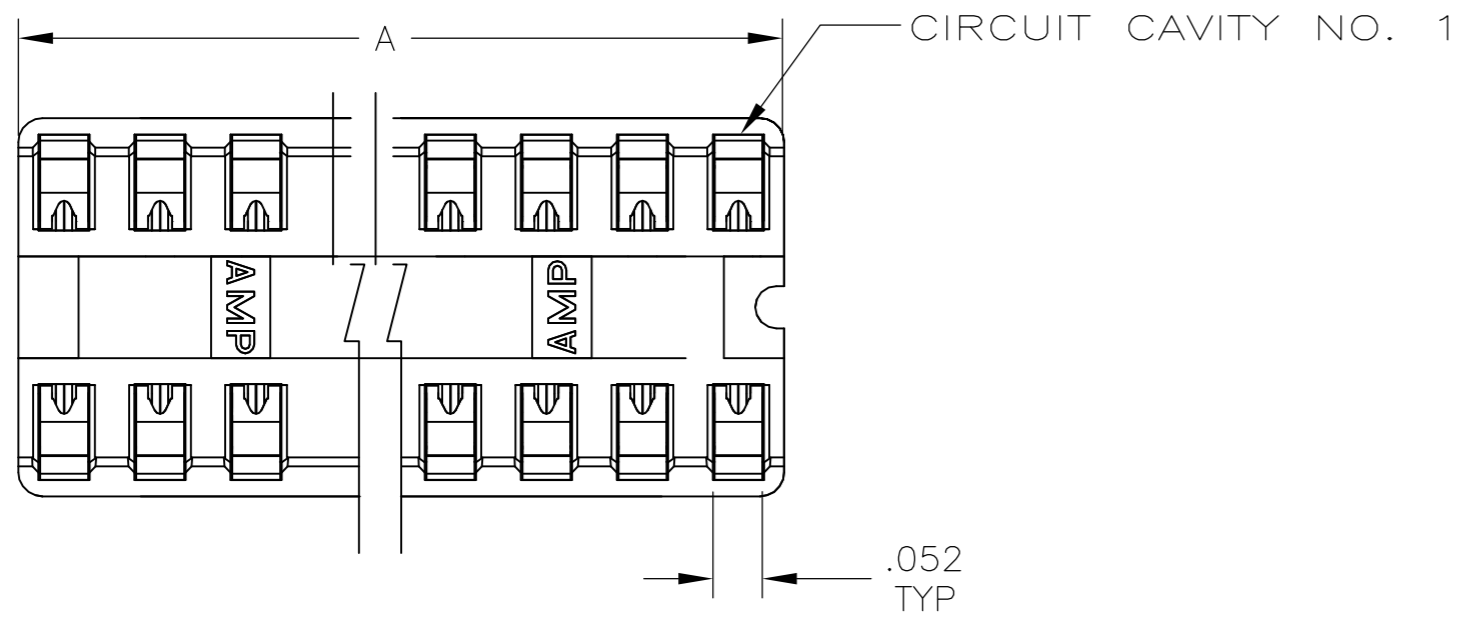


THIS DRAWING IS UNPUBLISHED. RELEASED FOR PUBLICATION  
 © COPYRIGHT - By - ALL RIGHTS RESERVED.

LOC		DIST		REVISIONS			
P	LTR	DESCRIPTION		DATE	DWN	APVD	
AD	00	A1	REVISED PER ECO-11-004820	11MAR11	RK	HMR	



- 1 RECEPTACLE ACCEPTS A .008-.014 THICK I.C. LEAD.
- 2 TUBE LOADED FOR AUTOMATIC INSERTION.
- 3 BECU CONTACT - PLATED WITH TWO .000030 MIN THK. GOLD STRIPES IN CONTACT AREA WITH TIN ON CONTACT LEGS, BALANCE OF CONTACT NICKEL PLATED.
- 4 PHOS. BRZ CONTACT - PLATED WITH TWO .000015 MIN THK. GOLD STRIPES IN CONTACT AREA WITH TIN ON CONTACT LEGS, BALANCE OF CONTACT NICKEL PLATED.
- 5 GLASS FILLED THERMOPLASTIC, 94V-0, BLACK

CONTACT & FINISH	DIM. C	B	SPCS	DIM. A	POSITION	PART NO.
3	1.100	11	1.195	24	1-1825094-7	
3	.900	9	.995	20	1-1825094-6	
3	.800	8	.895	18	1-1825094-5	
3	.700	7	.795	16	1-1825094-4	
3	.600	6	.695	14	1-1825094-3	
3	.300	3	.395	8	1-1825094-2	
3	.200	2	.295	6	1-1825094-1	
4	1.100	11	1.195	24	1825094-7	
4	.900	9	.995	20	1825094-6	
4	.800	8	.895	18	1825094-5	
4	.700	7	.795	16	1825094-4	
4	.600	6	.695	14	1825094-3	
4	.300	3	.395	8	1825094-2	
4	.200	2	.295	6	1825094-1	

THIS DRAWING IS A CONTROLLED DOCUMENT.

DIMENSIONS: INCHES	TOLERANCES UNLESS OTHERWISE SPECIFIED:	DWN: B.S.VISWESWARA	21APR05
	0 PLC ± -	CHK: K WRIGHT	
	1 PLC ± -	APVD: -	
	2 PLC ± -	PRODUCT SPEC: 108-1066	
	3 PLC ± .005	APPLICATION SPEC: 114-1049	
	4 PLC ± -	WEIGHT: -	
	ANGLES ± 0°30'	CUSTOMER DRAWING	
MATERIAL: SEE TABLE	FINISH: SEE TABLE		
		DIP SOCKET ASSY, LADDER, DIPLOMATE, .300 CL, LEAD FREE	
		SIZE: A2	CAGE CODE: 00779
		DRAWING NO: 1825094	RESTRICTED TO: -
		SCALE: 5:1	SHEET: 1 of 1
		REV: A1	

## X-ON Electronics

Largest Supplier of Electrical and Electronic Components

*Click to view similar products for IC & Component Sockets category:*

*Click to view products by TE Connectivity manufacturer:*

Other Similar products are found below :

[0066-3-17-15-30-14-02-0](#) [670](#) [672](#) [673](#) [694-13-640-00-672-000](#) [712-93-120-41-001000](#) [714-93-104-31-018000](#) [8059-4G1-LF](#) [807-22-001-10-001101](#) [807-22-001-10-006101](#) [807-22-001-30-011101](#) [807-22-001-30-012101](#) [807-22-001-30-013101](#) [807-22-001-30-014101](#) [8-1437531-4](#) [8150-6P10](#) [833-93-034-10-001000](#) [851-41-006-10-001000](#) [851-43-008-20-001000](#) [851-43-014-20-001000](#) [851-93-006-20-001000](#) [851-93-010-20-001000](#) [853-43-020-10-001000](#) [86.010.0053.0](#) [116-43-308-41-007000](#) [PX-68LCC](#) [121-13-318-41-001000](#) [121-13-320-41-001000](#) [121-13-308-41-001000](#) [123-43-314-41-801000](#) [123-43-420-41-001000](#) [122-13-316-41-001000](#) [123-13-624-41-001000](#) [123-43-306-41-001000](#) [12-3513-11](#) [123-91-320-41-001000](#) [126-43-310-41-002000](#) [AKSUN 37V-T](#) [1437503-9](#) [1437504-1](#) [146-44-308-41-013000](#) [146-43-308-41-012000](#) [160-10-308-00-001000](#) [160-40-320-00-001000](#) [214-99-306-01-670800](#) [232-1270-02-0602](#) [2-382761-4](#) [2-5331677-4](#) [2-640360-3](#) [2801-2-00-50-00-00-07-0](#)