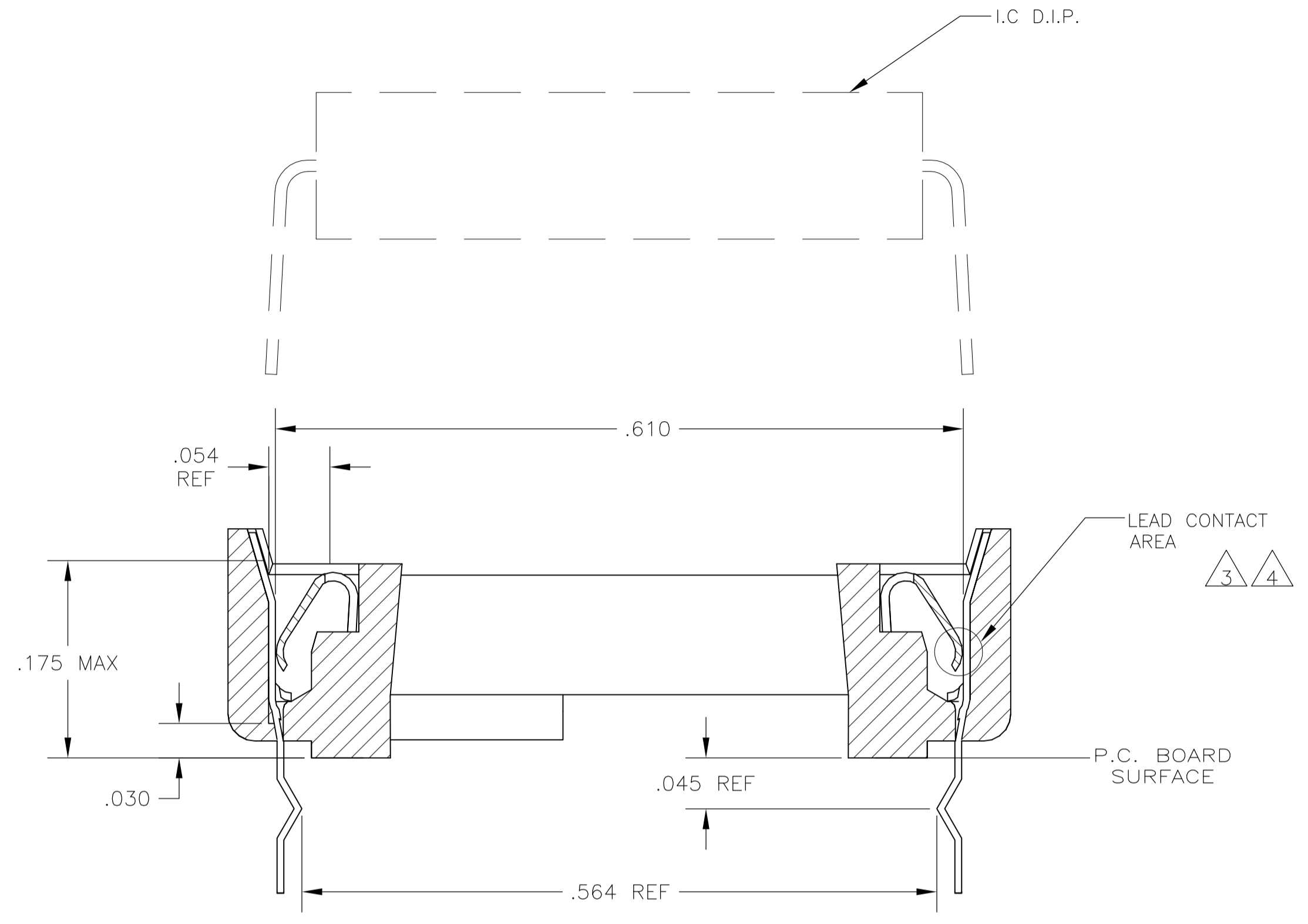
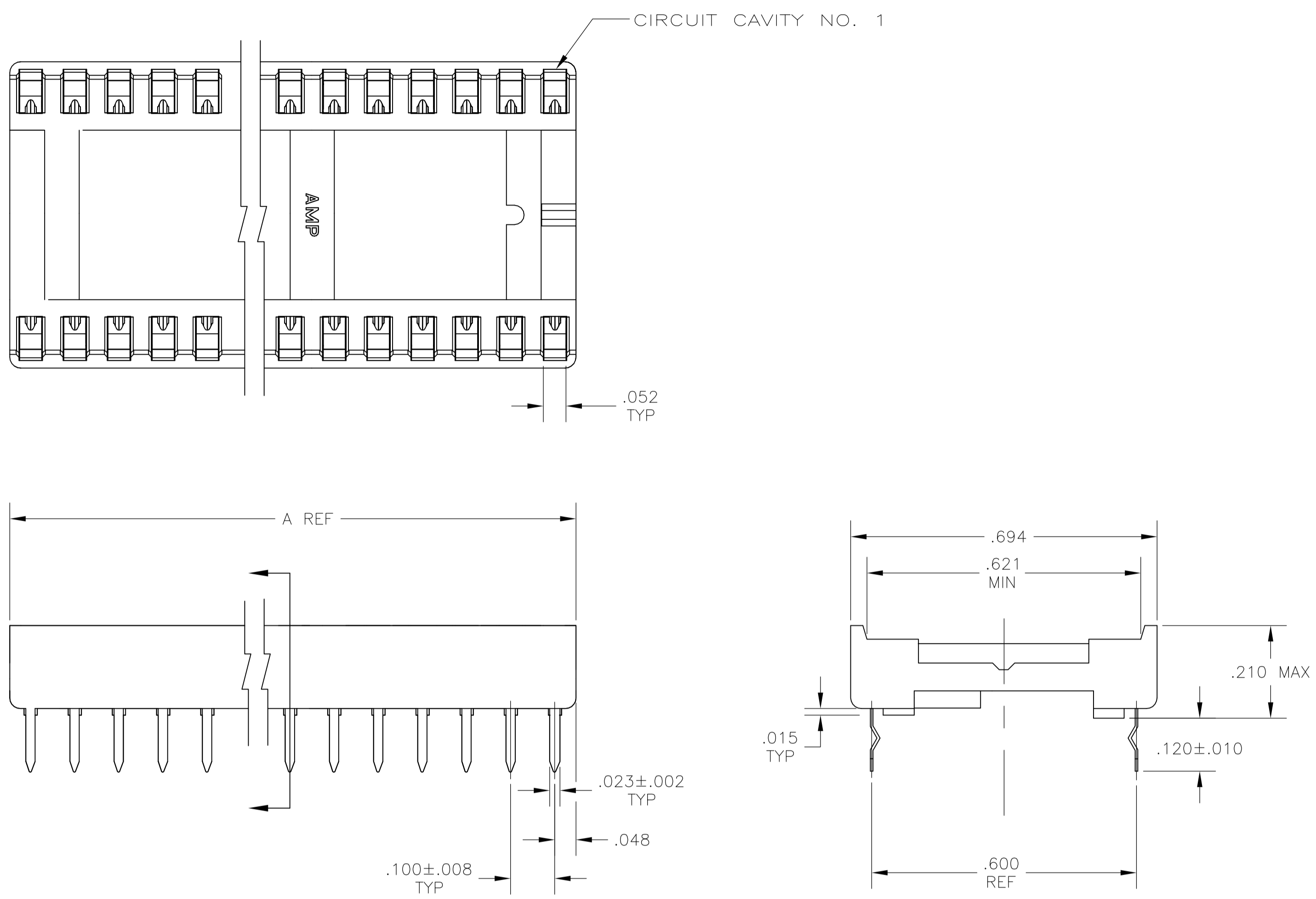
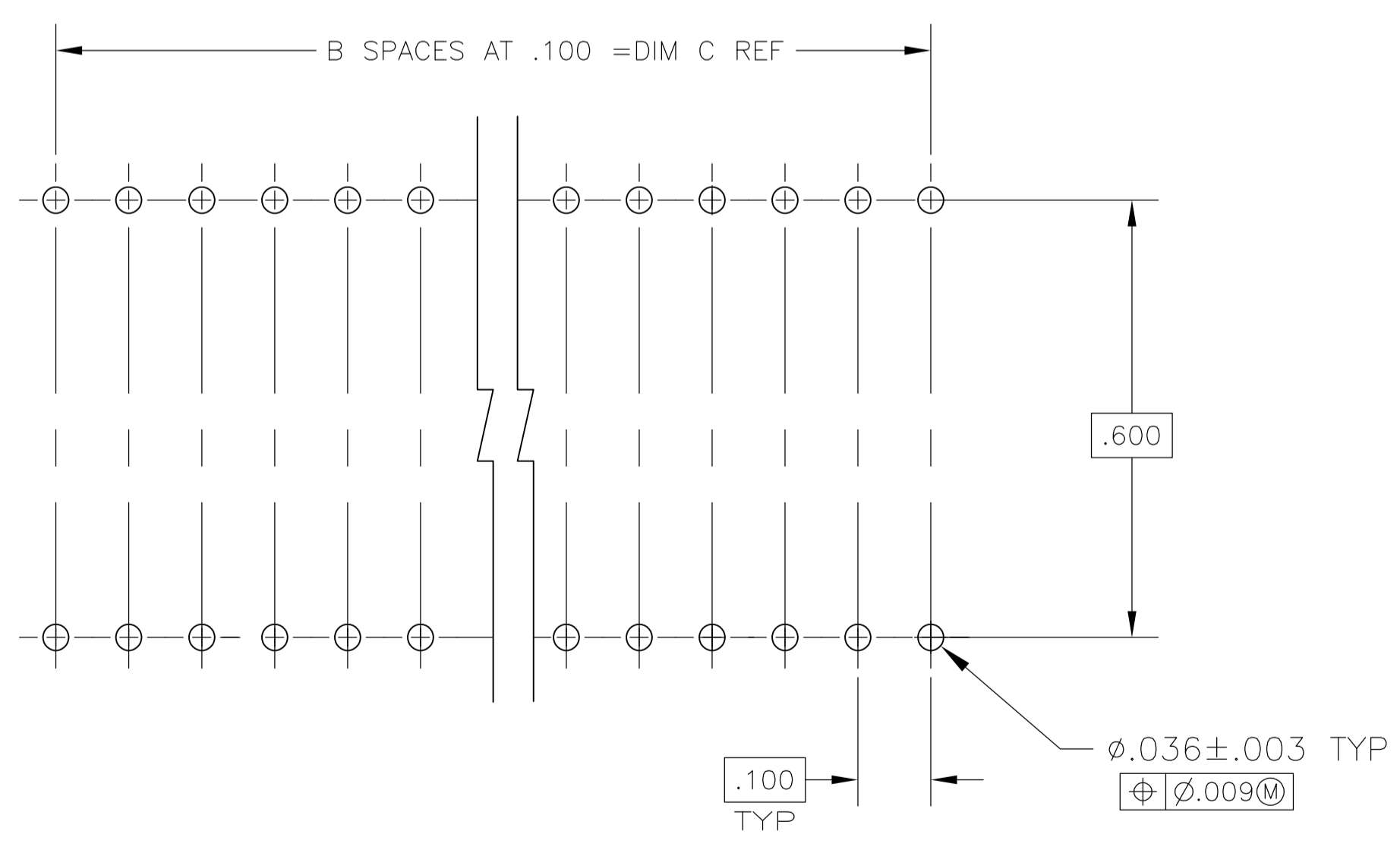


LOC		DIST		REVISIONS			
AD	00	REV	DATE	BY	CHK	APPV	
A		ECO-05-013690	03JAN05	BSV	KD		
A1		REVISED PER ECO-10-000444	19JAN10	KK	HMR		



SECTION A-A
SCALE 10:1



RECOMMENDED MOUNTING HOLE PATTERN
SCALE 4:1

- 1 RECEPTACLE ACCEPTS A .008-.014 THICK I.C. LEAD.
- 2 TUBE LOADED FOR AUTOMATIC INSERTION.
- 3 BECU CONTACT - PLATED WITH TWO .000030 MIN THICK. GOLD STRIPES IN CONTACT AREA WITH TIN ON CONTACT LEGS, BALANCE OF CONTACT NICKEL PLATED.
- 4 PHOS. BRZ CONTACT - PLATED WITH TWO .000015 MIN THK. GOLD STRIPES IN CONTACT AREA WITH TIN ON CONTACT LEGS, BALANCE OF CONTACT NICKEL PLATED.
- 5 GLASS FILLED THERMOPLASTIC, 94V-0, BLACK
- 6 OBSOLETE PARTS: OBSOLETE CIS STREAMLINING PER D.RENAUD/D.SINISI

CONTACT & FINISH	DIM C	B SPCS	DIM A	POSITION	PART NO.	
6 OBSOLETE	3	2.300	23	2.395	48	1-1825376-4
	3	1.900	19	1.995	40	1-1825376-3
	3	1.300	13	1.395	28	1-1825376-2
OBSOLETE	3	1.100	11	1.195	24	1-1825376-1
	4	2.300	23	2.395	48	1825376-4
	4	1.900	19	1.995	40	1825376-3
	4	1.300	13	1.395	28	1825376-2
6 OBSOLETE	4	1.100	11	1.195	24	1825376-1

THIS DRAWING IS A CONTROLLED DOCUMENT.

DIMENSIONS: INCHES. TOLERANCES UNLESS OTHERWISE SPECIFIED:

0. PLC	± .005
1. PLC	± .005
2. PLC	± .005
3. PLC	± .005
4. PLC	± .005
ANGLES	± 0°30'

MATERIAL: SEE TABLE. FINISH: SEE TABLE.

THIS DRAWING IS A CONTROLLED DOCUMENT. BY: B.S.VISWESWARA. CHK: K.WRIGHT. APVD: [Signature]

PRODUCT SPEC: 108-1066. APPLICATION SPEC: 114-1049.

SIZE: A1. CAGE CODE: 00779. DRAWING NO: 1825376. RESTRICTED TO: [Signature]

CUSTOMER DRAWING. SCALE: 5:1. SHEET: 1 OF 1. REV: A1.

X-ON Electronics

Largest Supplier of Electrical and Electronic Components

Click to view similar products for [IC & Component Sockets](#) category:

Click to view products by [TE Connectivity](#) manufacturer:

Other Similar products are found below :

[0066-3-17-15-30-14-02-0](#) [670](#) [672](#) [673](#) [694-13-640-00-672-000](#) [712-93-120-41-001000](#) [714-93-104-31-018000](#) [8059-4G1-LF](#) [807-22-001-10-001101](#) [807-22-001-10-006101](#) [807-22-001-30-011101](#) [807-22-001-30-012101](#) [807-22-001-30-013101](#) [807-22-001-30-014101](#) [8-1437531-4](#) [8150-6P10](#) [833-93-034-10-001000](#) [851-41-006-10-001000](#) [851-43-008-20-001000](#) [851-43-014-20-001000](#) [851-93-006-20-001000](#) [851-93-010-20-001000](#) [853-43-020-10-001000](#) [86.010.0053.0](#) [116-43-308-41-007000](#) [PX-68LCC](#) [121-13-318-41-001000](#) [121-13-320-41-001000](#) [121-13-308-41-001000](#) [123-43-314-41-801000](#) [123-43-420-41-001000](#) [122-13-316-41-001000](#) [123-13-624-41-001000](#) [123-43-306-41-001000](#) [12-3513-11](#) [123-91-320-41-001000](#) [126-43-310-41-002000](#) [AKSUN 37V-T](#) [1437503-9](#) [1437504-1](#) [146-44-308-41-013000](#) [146-43-308-41-012000](#) [160-10-308-00-001000](#) [160-40-320-00-001000](#) [214-99-306-01-670800](#) [232-1270-02-0602](#) [2-382761-4](#) [2-5331677-4](#) [2-640360-3](#) [2801-2-00-50-00-00-07-0](#)