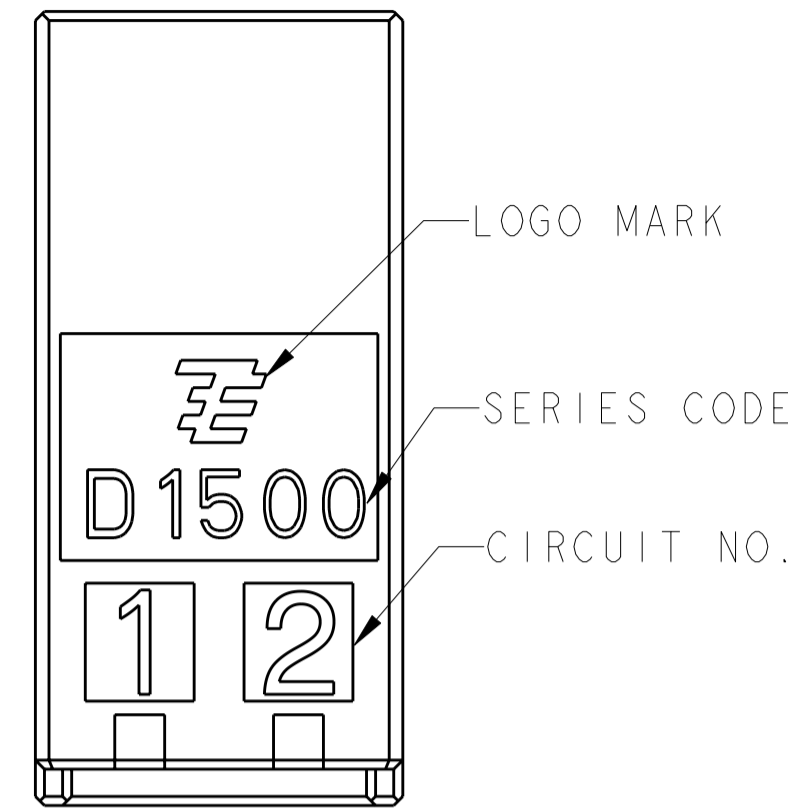


THIS DRAWING IS UNPUBLISHED. RELEASED FOR PUBLICATION 2005  
 © COPYRIGHT 2005 BY TYCO ELECTRONICS CORPORATION. ALL INTERNATIONAL RIGHTS RESERVED.

1. MATERIAL: HOUSING: GLASS FILED THERMO PLASTIC  
 POLYESTER(94V-0), COLOR: BLACK  
 CONTACT: COPPER ALLOY  
 RETENTION LEG: Pre-Tin COPPER ALLOY

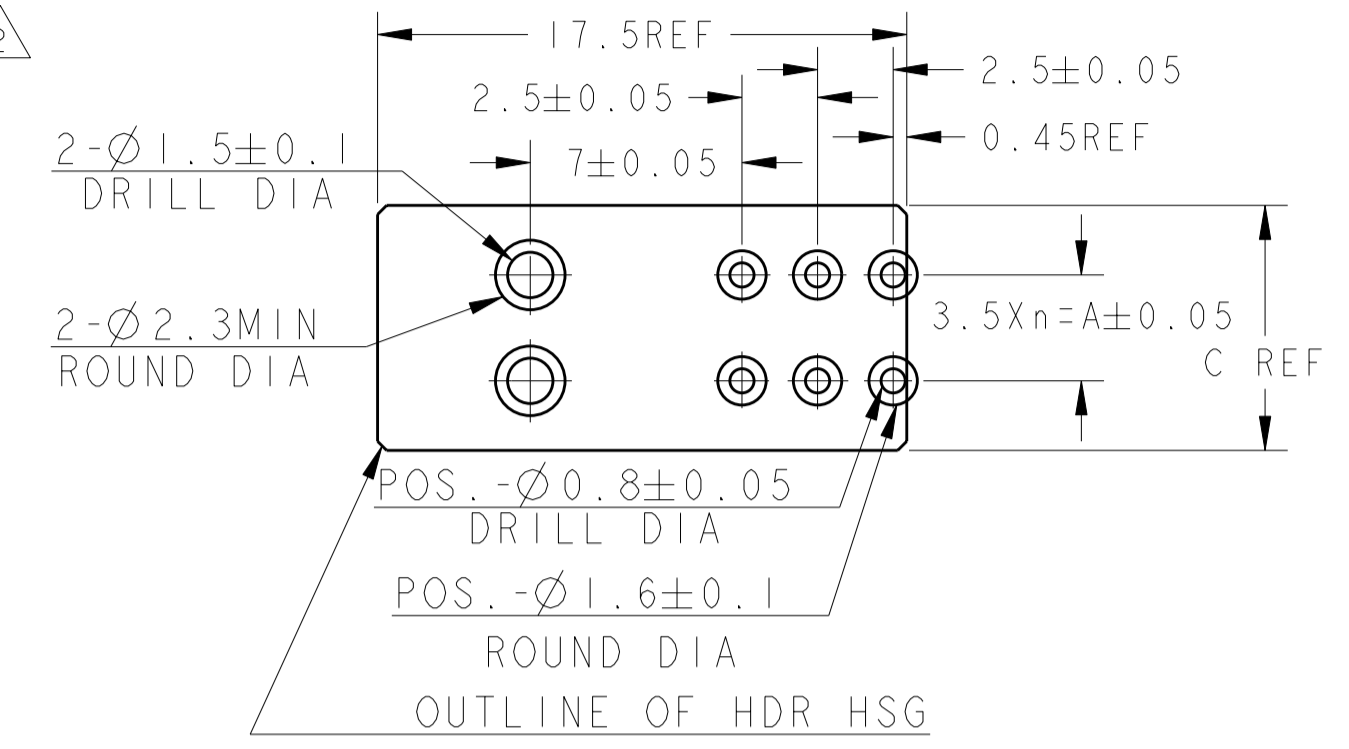
LOC		DIST		REVISIONS			
P	LTR	DESCRIPTION	DATE	DWN	APVD		
	BI	REVISED PER ECR-10-019595	30SEP10	HMR	T.M		



- ② FINISH(ALL OVER): NICKEL PL. 1.27μmMIN
- ③ FINISH(CONTACT AREA): AU PL. 0.38μmMIN AFTER ②
- ④ FINISH(CONTACT TAIL): TIN PL. 2μmMIN AFTER ②
- 5. THE SHAPE, SIZE AND POSITION OF THE CHARACTER SHOW THE OUTLINE. THEY DON'T SHOW DETAILS.

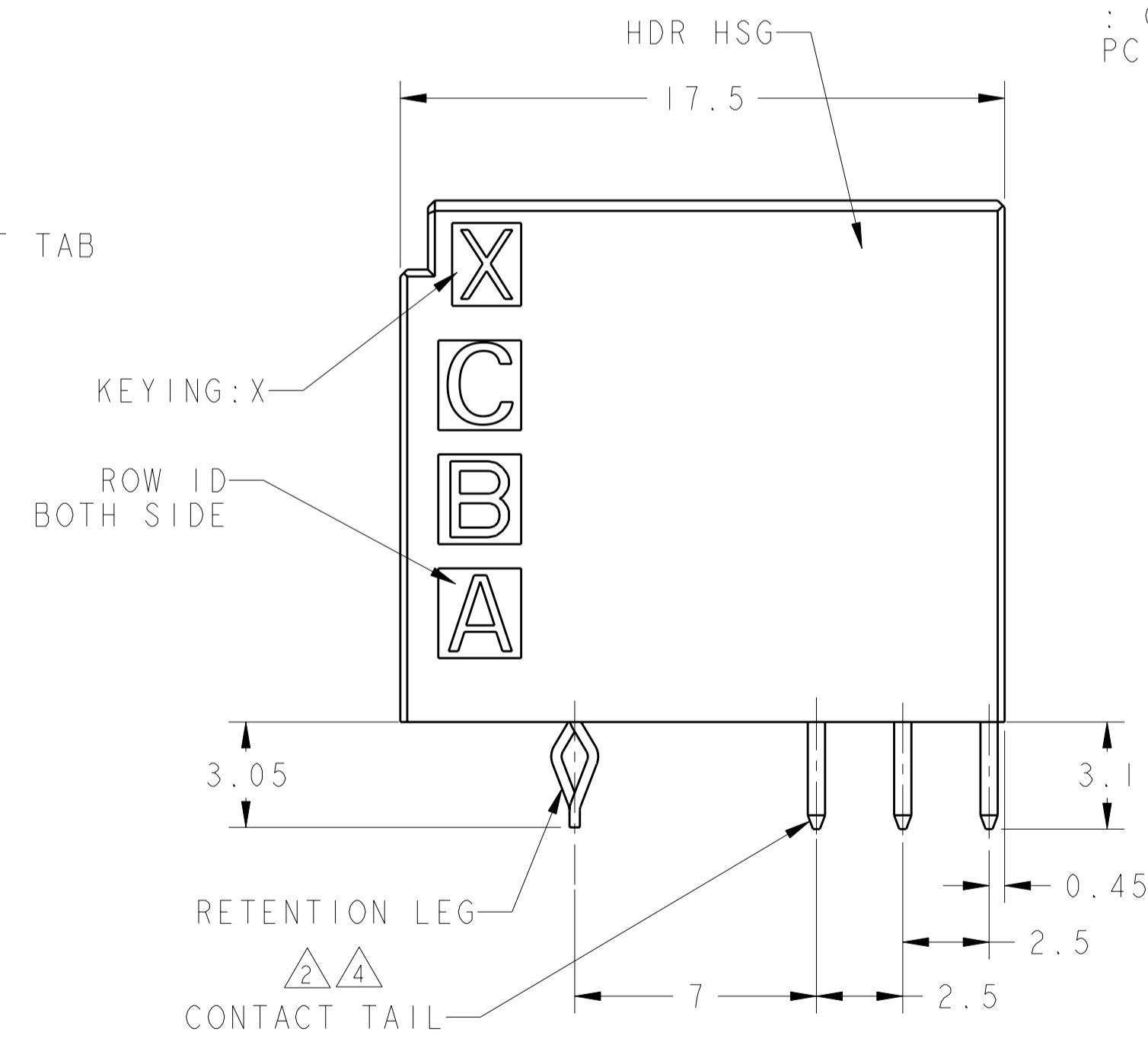
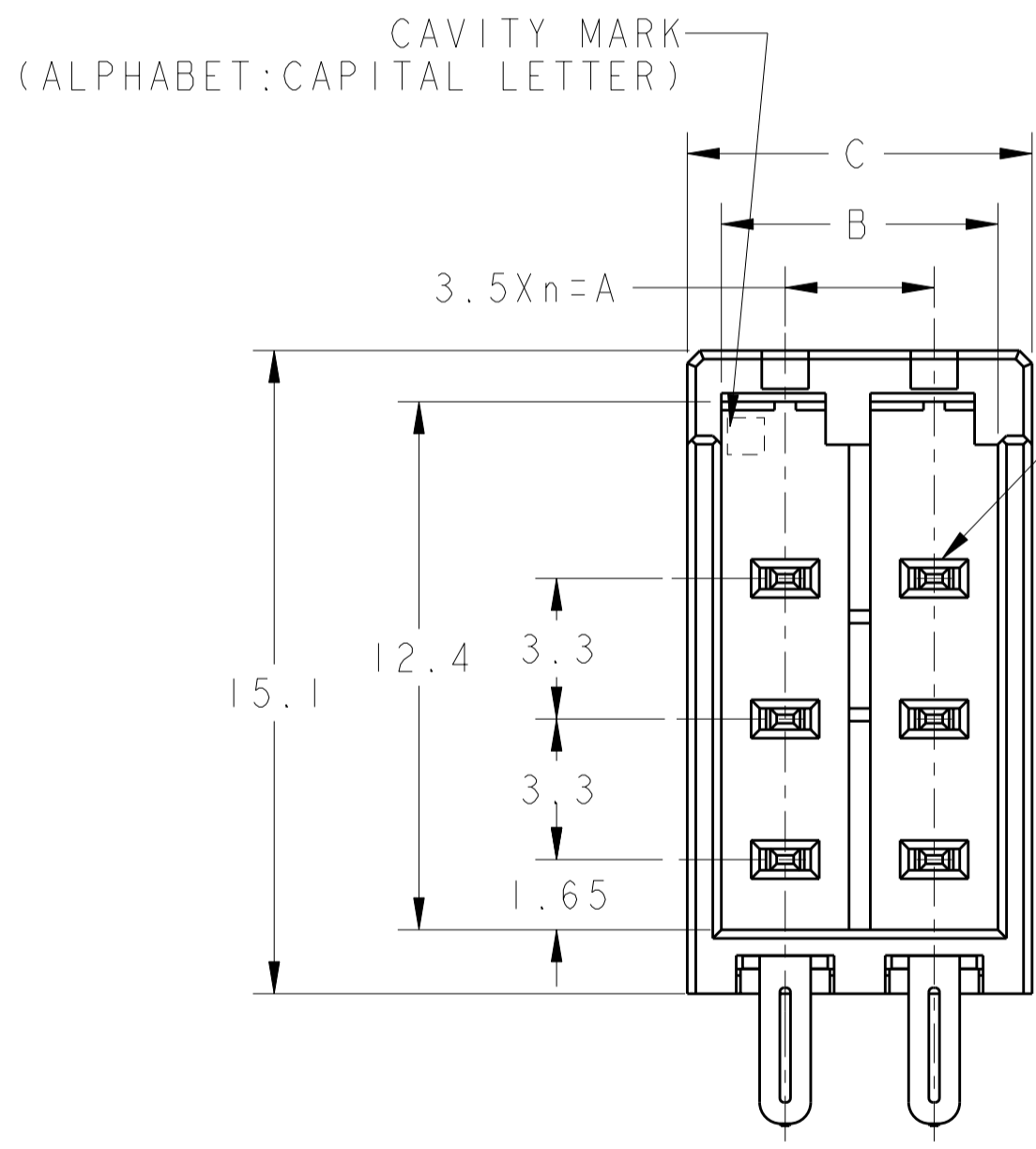
1. 材料: ハウジング: ガラス入り熱可塑性ポリエステル樹脂(94V-0)、色: 黒  
 コンタクト: 銅合金  
 リテンションレグ: 錫めっき済銅合金

- ② めっき: 全面: Ni下地めっき1.27μm以上
- ③ めっき: 接触部: ②の上に金めっき0.38μm以上
- ④ めっき: コンタクト半田付部: ②の上に錫めっき2μm以上
- 5. 文字の形状、大きさ、および位置については、大略を示すものであり、詳細を示すものではありません。



推奨基板取付寸法 : コネクタ搭載面(非累積公差)  
 PC基板厚 : 1.0~1.6±0.1

RECOMMEND PC BOARD HOLE PATTERN : CONNECTOR MOUNT SIDE (NOT ACCUMULATE TOLERANCE)  
 PC BOARD THICKNESS : 1.0~1.6±0.1



1-1827583-2 : AS SHOWN

6	1	3.5	6.5	8.1	1-1827583-2
POS.	n	A	B	C	PART No.

THIS DRAWING IS A CONTROLLED DOCUMENT FOR TYCO ELECTRONICS CORPORATION. IT IS SUBJECT TO CHANGE AND THE CONTROLLING ENGINEERING ORGANIZATION SHOULD BE CONTACTED FOR THE LATEST REVISION.		DWN T. KUDO 12 JAN 2005	Tyco Electronics Corporation Kawasaki, Japan	
DIMENSIONS: 単位: 概 mm		CHK D. MITSUGI 30 AUG 2005	NAME DYNAMIC DI500T 3.5mm PITCH HDR ASSY, H-TYPE 6P	
TOLERANCES UNLESS OTHERWISE SPECIFIED: 一般公差 ±0.3, ±3' 0-PLC ± 1-PLC ± 2-PLC ± 3-PLC ± 4-PLC ± ANGLES ± FINISH 仕上		APVD D. MITSUGI 30 AUG 2005	APPLICATION SPEC 108-78268	
MATERIAL 材料		取付適用規格 114-5377	RESTRICTED TO	
CUSTOMER DRAWING		WEIGHT	SIZE A2	CAGE CODE 00779
			DRAWING NO. 1827583	SCALE 6:1
			SHEET 1	OF 1
			REV BI	

## X-ON Electronics

Largest Supplier of Electrical and Electronic Components

*Click to view similar products for [Headers & Wire Housings](#) category:*

*Click to view products by [TE Connectivity](#) manufacturer:*

Other Similar products are found below :

[892-18-020-10-001101](#) [58102-G61-06LF](#) [582553-1](#) [0009485154](#) [009176003701906](#) [0050291907](#) [LY20-4P-DT1-P1E-BR](#) [02.125.8002.8](#)  
[609-3404](#) [61062-3](#) [61082-181009](#) [622-3653LF](#) [63453-116](#) [636-1030](#) [636-1427](#) [636-3427](#) [636-4007](#) [641938-9](#) [641991-4](#) [644827-2](#) [65817-010LF](#) [65817-015LF](#) [65863-015LF](#) [66207-023LF](#) [67095-007LF](#) [67601157](#) [68645-018](#) [68648-049](#) [70.362.1628.0](#) [70-4210](#) [70-4226B](#) [70-4853B](#) [707-5020](#) [707-5028](#) [71.350.2428.0](#) [71918-208LF](#) [71961-016LF](#) [733-134](#) [733-162](#) [754199-000](#) [760-3052](#) [787-8014-00](#) [79531-3000](#)  
[FCN-360C032-B](#) [FCN-367T-T012/H](#) [FCN-723D010/2](#) [80.063.4001.1](#) [800-90-001-10-001000](#) [800-90-010-10-002000](#) [801-43-002-10-013000](#)