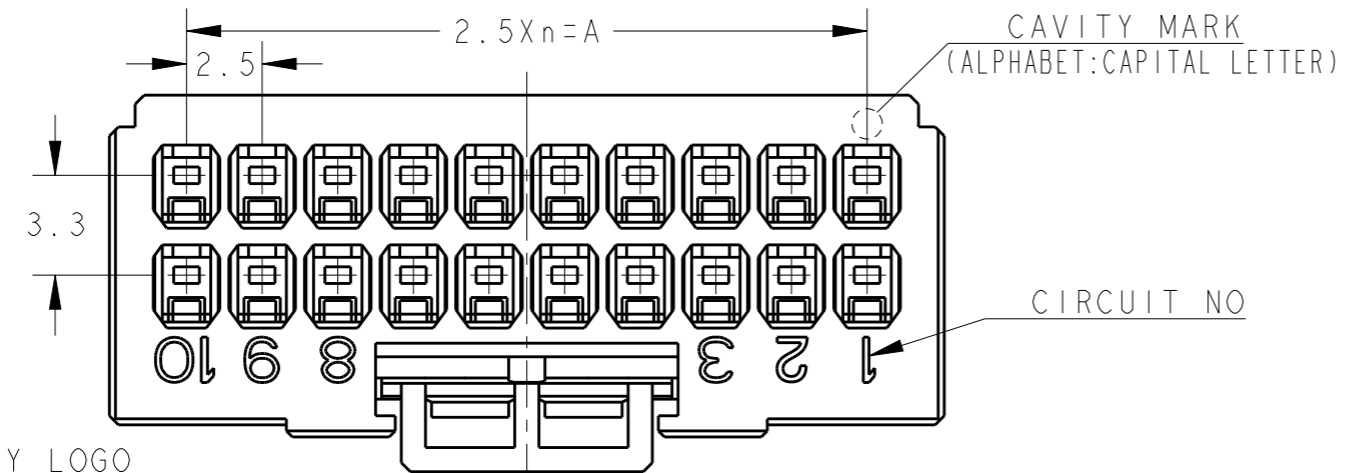
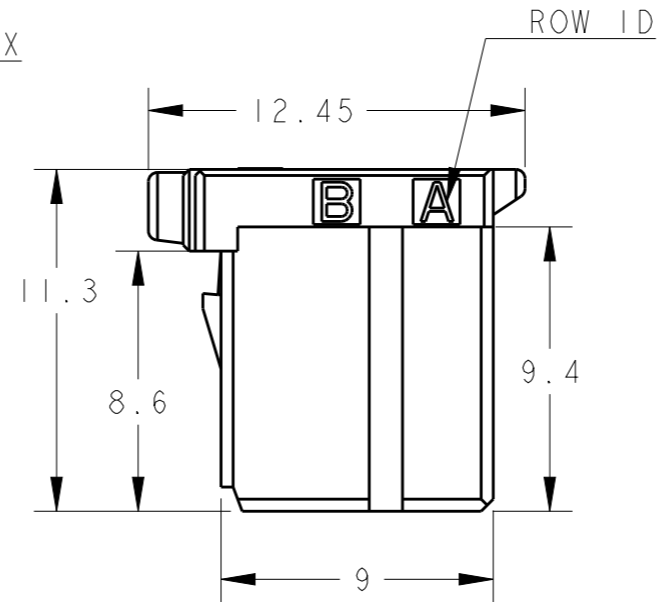
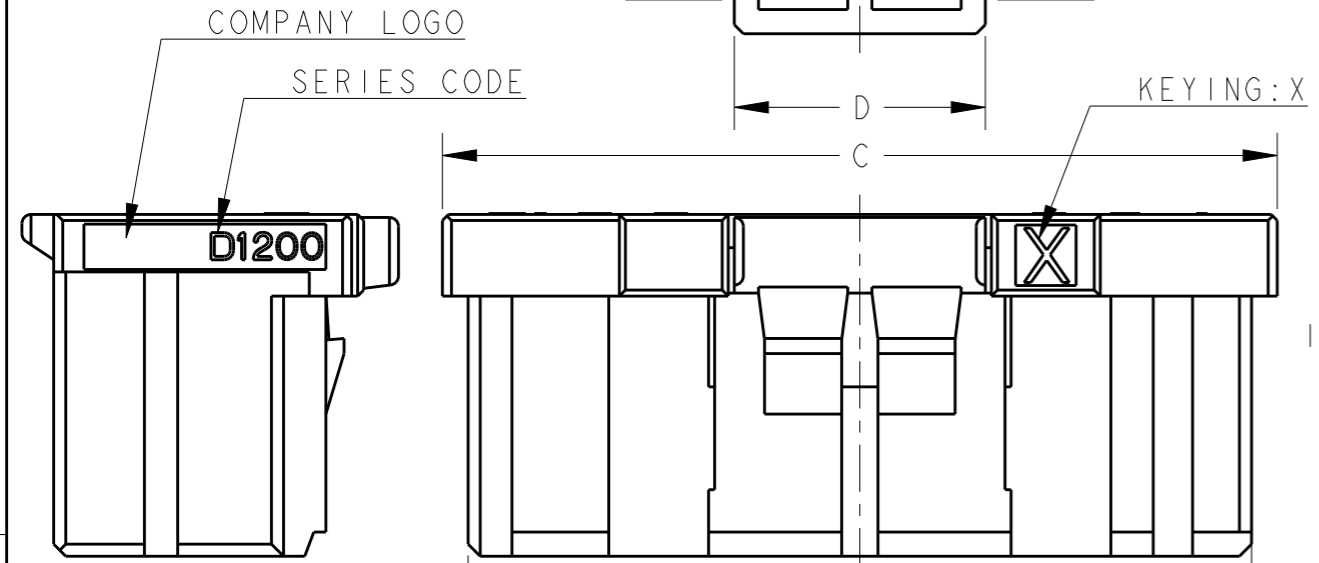


THIS DRAWING IS UNPUBLISHED. RELEASED FOR PUBLICATION
 © COPYRIGHT - ALL RIGHTS RESERVED.

LOC	DIST	REVISIONS					
J		P	LTR	DESCRIPTION	DATE	DWN	APVD
		E		REVISED PER-ECR-20-011859	21AUG2020	M. J	E. I



- 1. MATERIAL: GLASS FILLED THERMO PLASTIC POLYESTER(94V-0), COLOR: BLACK
- 2. THE SHAPE, SIZE AND POSITION OF THE CHARACTER SHOW THE OUTLINE. THEY DON'T SHOW DETAILS.
- 3. THE KEYING ARRANGEMENT OF "Y" IS SYMMETRIC WITH "X".

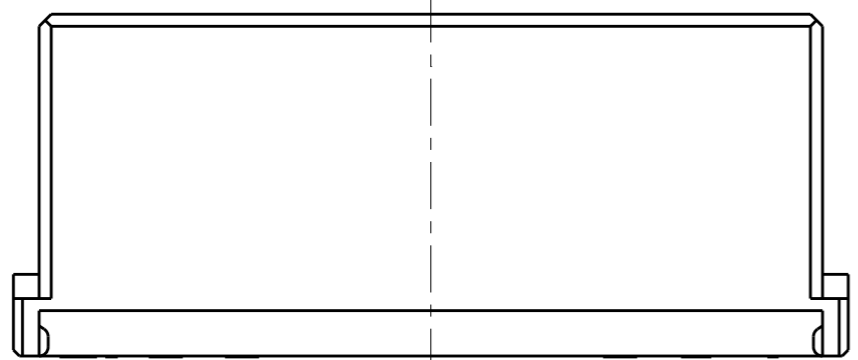
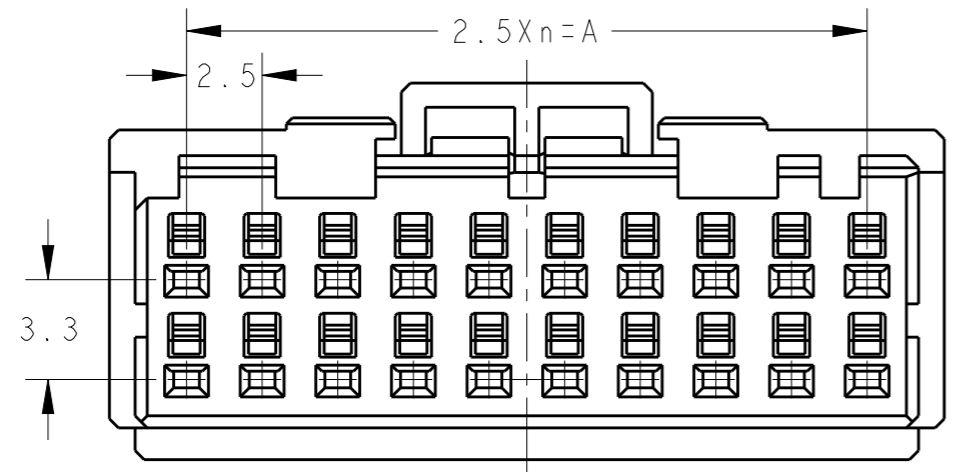


- 4. DIFFERENT HEIGHT OF LOCK PROTECTOR. A FINGERTIP IS STOOD AND PUSHED WHEN OPERATING A LOCK LEVER.

- 1. 材料: ガラス入り熱可塑性ポリエステル樹脂(94V-0), 色: 黒
- 2. 文字の形状、大きさ、および位置については、大略を示すものであり、詳細を示すものではありません。
- 3. Y KEY形状は、X KEY形状と左右対称

- 4. LOCK PROTECTORの高さ違いです。ロックレバー操作の際には、指先を立てて押してください。

POS	KEY	n	A	B	C	D	PART NO
20	Y	9	22.5	25.9	27.6	8.3	2-1827864-0
20	X	9	22.5	25.9	27.6	8.3	1-1827864-0
16	Y	7	17.5	20.9	22.6	8.3	2-1827864-8
16	X	7	17.5	20.9	22.6	8.3	1-1827864-8
12	Y	5	12.5	15.9	17.6	8.3	2-1827864-6
12	X	5	12.5	15.9	17.6	8.3	1-1827864-6
12	X	5	12.5	15.9	17.6	8.3	9-1827864-6
10	Y	4	10.0	13.4	15.1	3.3	2-1827864-5
10	X	4	10.0	13.4	15.1	3.3	1-1827864-5
8	Y	3	7.5	10.9	12.6	3.3	2-1827864-4
8	X	3	7.5	10.9	12.6	3.3	1-1827864-4
6	Y	2	5.0	8.4	10.1	3.3	2-1827864-3
6	X	2	5.0	8.4	10.1	3.3	1-1827864-3
6	X	2	5.0	8.4	10.1	3.3	9-1827864-3
4	Y	1	2.5	5.9	7.6	3.1	2-1827864-2
4	X	1	2.5	5.9	7.6	3.1	1-1827864-2
4	X	1	2.5	5.9	7.6	3.1	9-1827864-2



20POS(X-KEY): 1-1827864-0

THIS DRAWING IS A CONTROLLED DOCUMENT.

DIMENSIONS: 単位: 耗 mm	TOLERANCES UNLESS OTHERWISE SPECIFIED: 一般公差 ±0.3, ±5°
0 PLC ±	1 PLC ±
2 PLC ±	3 PLC ±
4 PLC ±	ANGLES ±
MATERIAL 材料	FINISH 仕上

DWN	T. KUDO	23AUG2005
CHK	D. MITSUGI	23AUG2005
APVD	D. MITSUGI	23AUG2005
PRODUCT SPEC	108-78268, 78298	
APPLICATION SPEC	114-5377	
WEIGHT		

STE TE Connectivity

NAME 名称: DYNAMIC D1200D 2.5mm PITCH REC HSG 4-20 POS

SIZE	CAGE CODE	DRAWING NO	RESTRICTED TO
A3	00779	C-1827864	

CUSTOMER DRAWING SCALE 4:1 SHEET 1 OF 4 REV E

THIS DRAWING IS UNPUBLISHED.

RELEASED FOR PUBLICATION

© COPYRIGHT -

ALL RIGHTS RESERVED.

LOC J DIST

P

LTR

REVISIONS

變更

DESCRIPTION

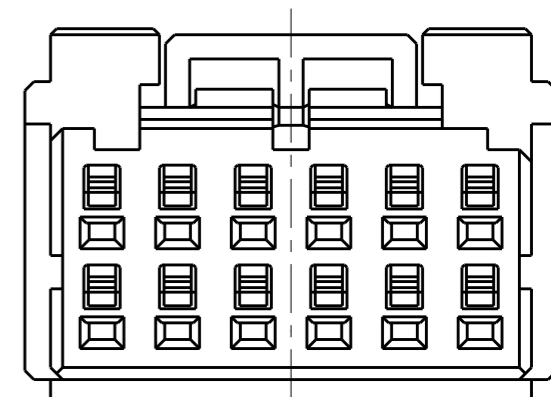
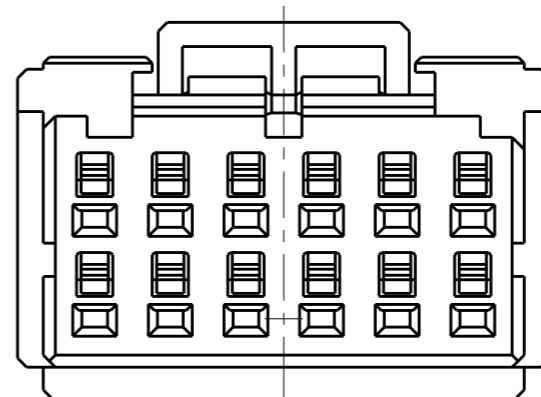
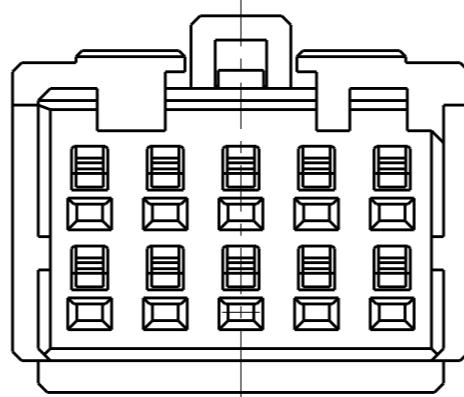
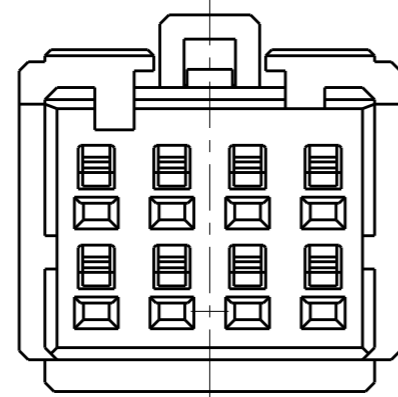
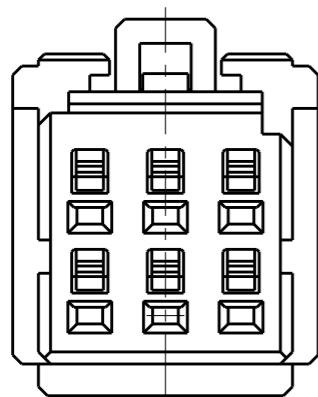
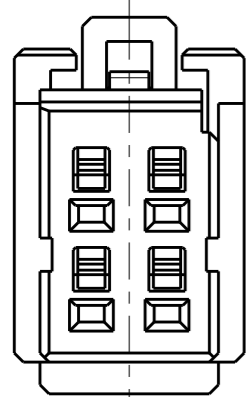
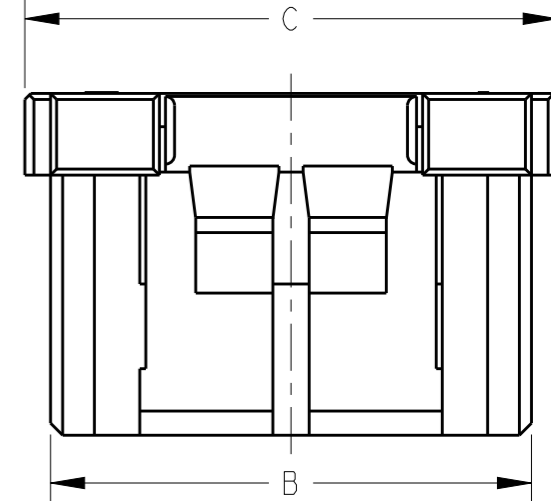
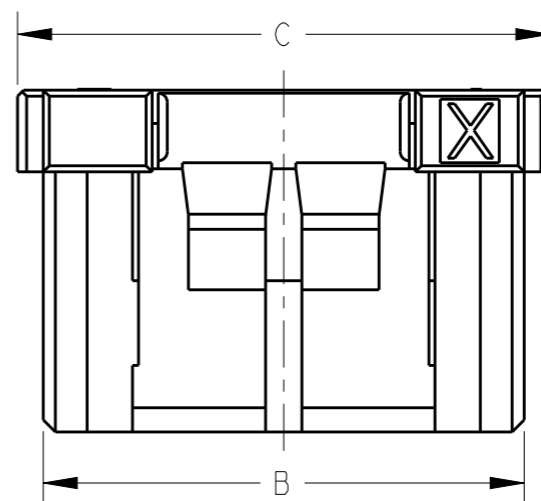
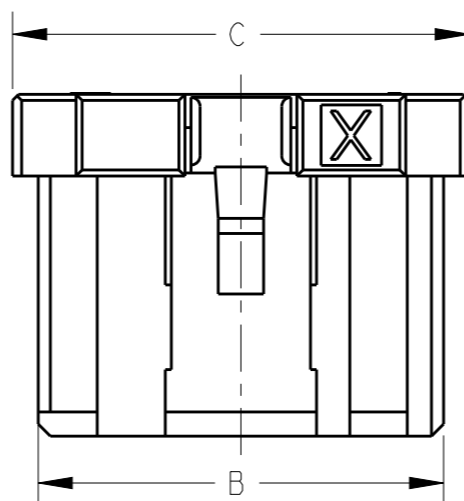
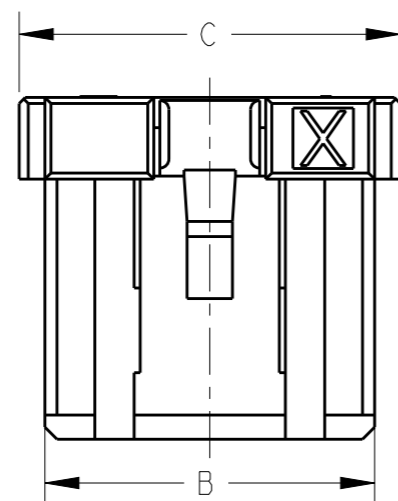
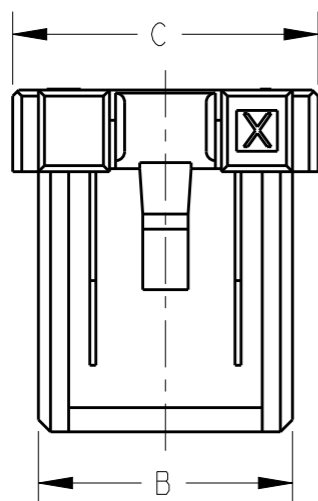
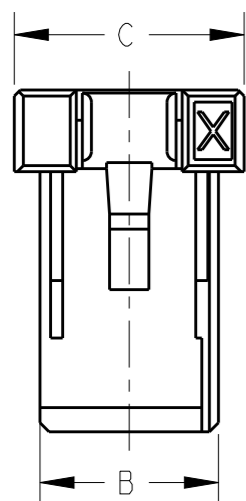
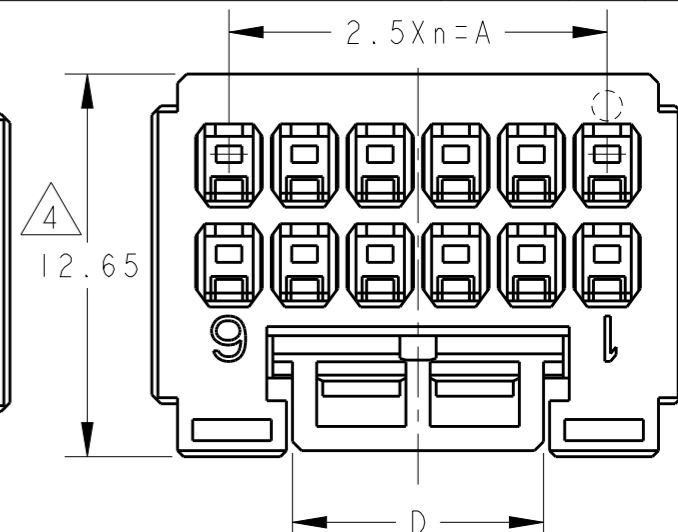
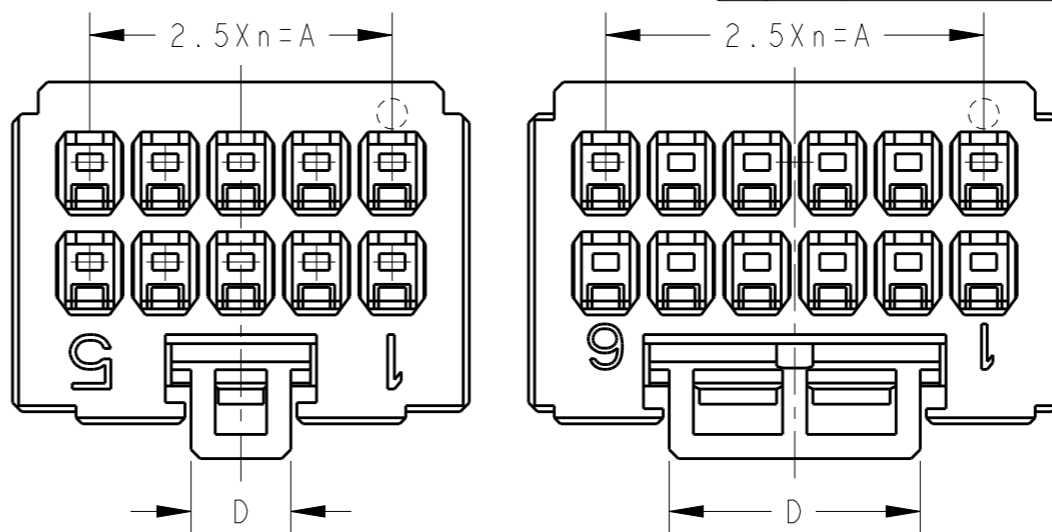
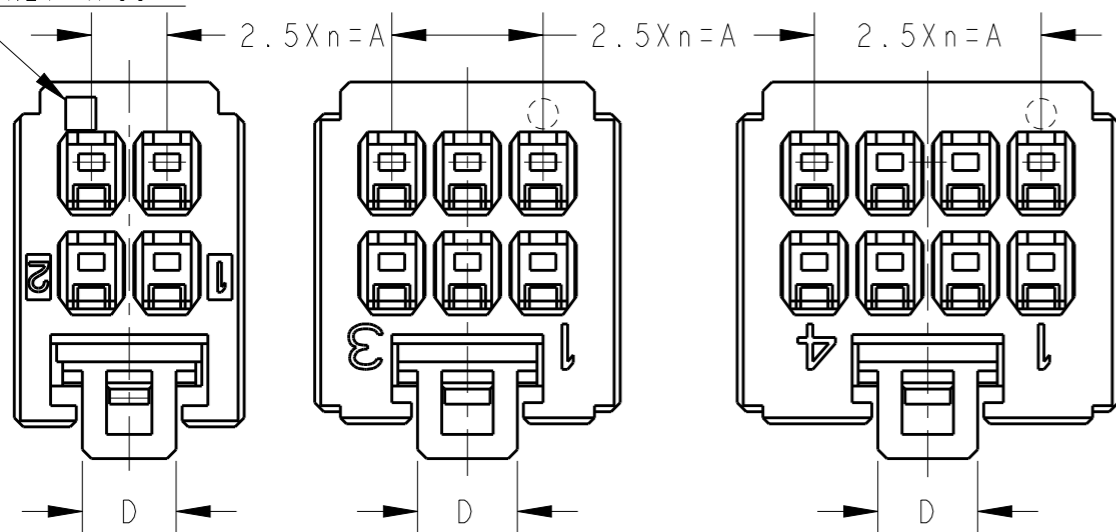
DATE

DWN

APVD

SEE SHEET 1

CAVITY MARK ONLY 4POS



4POS(X-KEY)
1-1827864-2

6POS(X-KEY)
1-1827864-3

8POS(X-KEY)
1-1827864-4

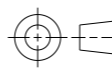
10POS(X-KEY): 1-1827864-5

12POS(X-KEY): 1-1827864-6

12POS(X-KEY): 9-1827864-6

THIS DRAWING IS A CONTROLLED DOCUMENT.

DIMENSIONS:
單位: 毫
mm



TOLERANCES UNLESS OTHERWISE SPECIFIED:

一般公差	±
0 PLC	±
1 PLC	±
2 PLC	±
3 PLC	±
4 PLC	±
ANGLES	±

MATERIAL
材料

FINISH
仕上

DWN T. KUDO 23AUG2005

CHK D. MITSUGI 23AUG2005

APVD D. MITSUGI 23AUG2005

PRODUCT SPEC
製品規格
108-78268, 78298

APPLICATION SPEC
取付適用規格
114-5377

WEIGHT

CUSTOMER DRAWING

NAME
名称

DYNAMIC DI200D 2.5mm PITCH
REC HSG
4-20 POS

SIZE

CAGE CODE

DRAWING NO
番号

RESTRICTED TO

A3

00779

C-1827864

SCALE
尺度

4:1

SHEET

2

OF

4

REV

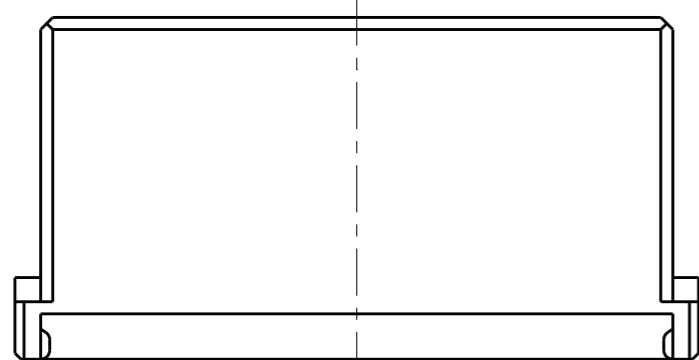
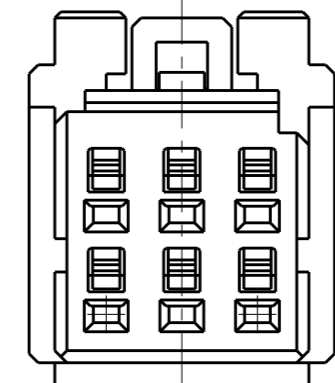
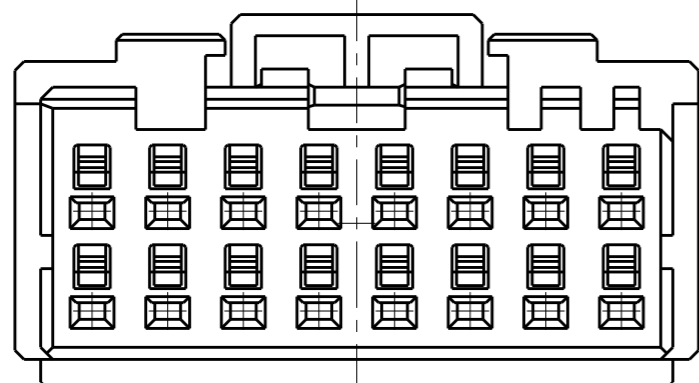
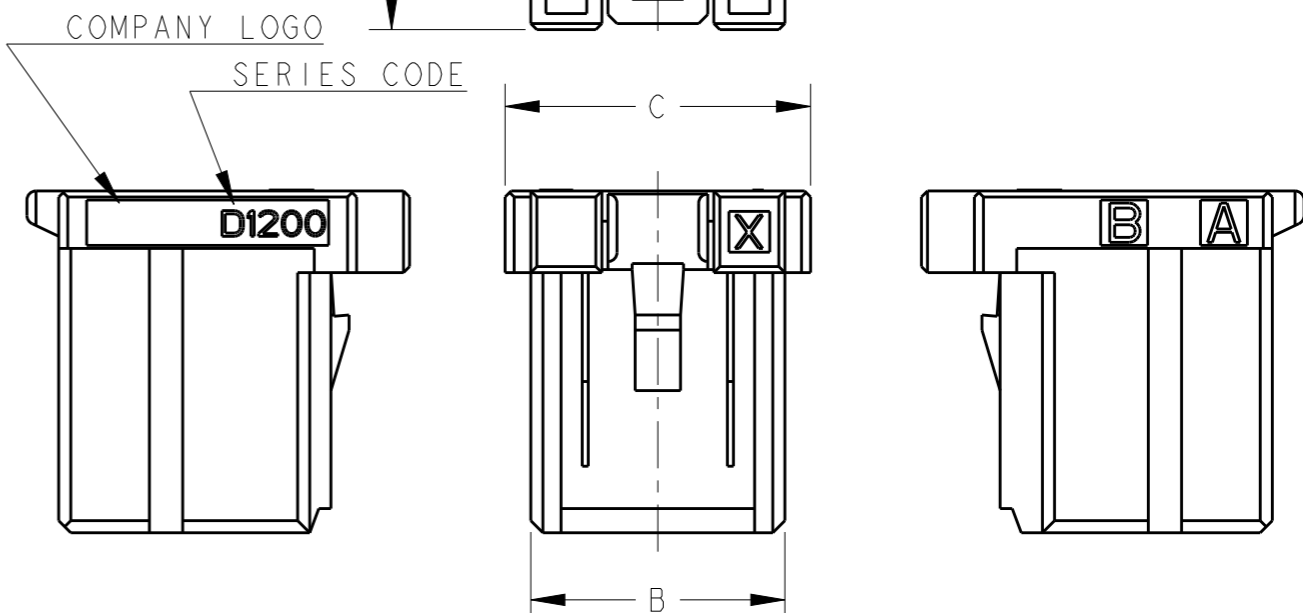
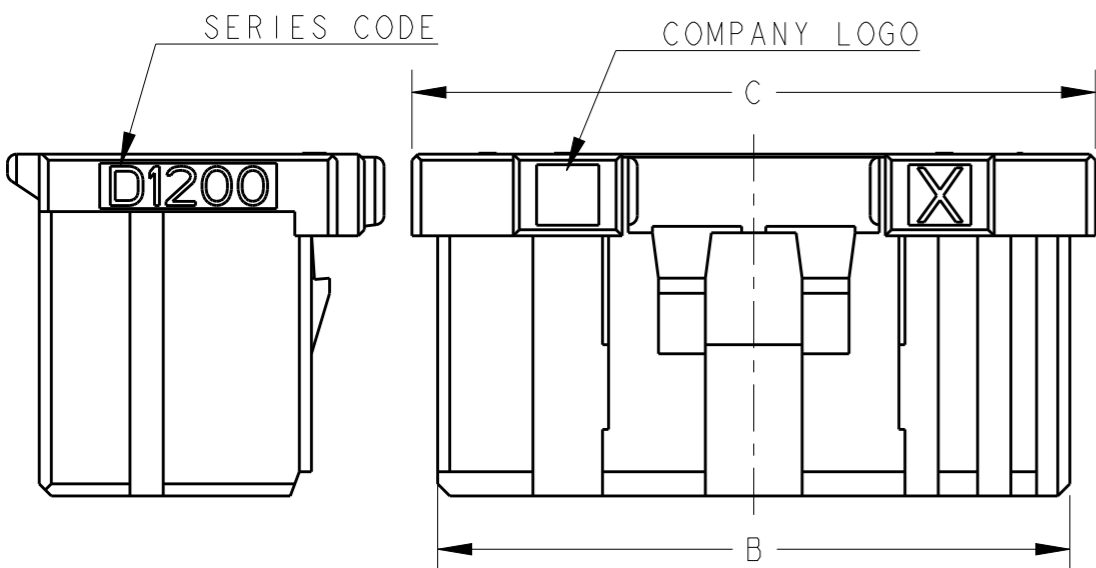
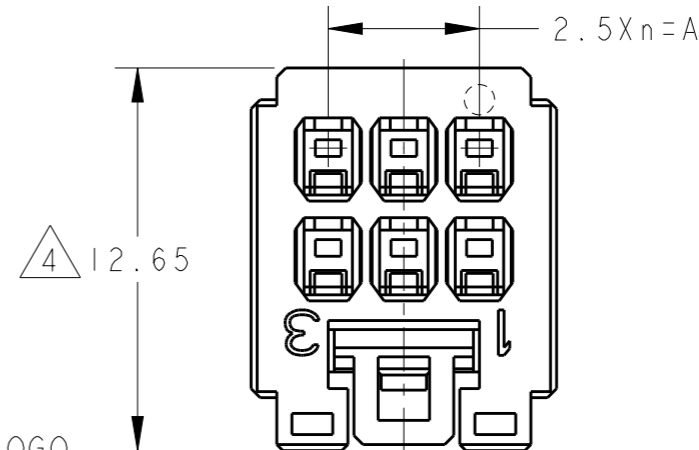
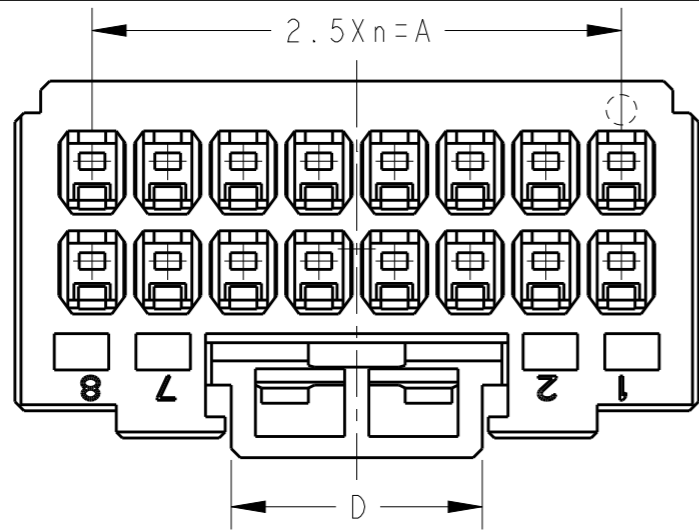
E



TE Connectivity


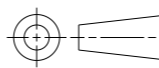
THIS DRAWING IS UNPUBLISHED. RELEASED FOR PUBLICATION
 © COPYRIGHT - ALL RIGHTS RESERVED.

LOC	DIST	REVISIONS					
J		P	LTR	DESCRIPTION	DATE	DWN	APVD
		-		SEE SHEET 1			



4 6POS(X-KEY): 9-1827864-3

16POS(X-KEY): 1-1827864-8

THIS DRAWING IS A CONTROLLED DOCUMENT.		DWN T. KUDO 23AUG2005	 TE Connectivity	
DIMENSIONS: 単位: 概 mm		CHK D. MITSUGI 23AUG2005		
TOLERANCES UNLESS OTHERWISE SPECIFIED: 一般公差 0 PLC ± 1 PLC ± 2 PLC ± 3 PLC ± 4 PLC ± ANGLES ±		APVD D. MITSUGI 23AUG2005	NAME 名称 DYNAMIC D1200D 2.5mm PITCH REC HSG 4-20 POS	
		PRODUCT SPEC 製品規格 108-78268, 78298	SIZE A3	
MATERIAL 材料		APPLICATION SPEC 取付適用規格 114-5377	CAGE CODE 00779	DRAWING NO 番号 C-1827864
FINISH 仕上		WEIGHT	RESTRICTED TO	
		CUSTOMER DRAWING	SCALE 尺度 4:1	SHEET 3 OF 4
			REV E	

THIS DRAWING IS UNPUBLISHED.

RELEASED FOR PUBLICATION

© COPYRIGHT -

ALL RIGHTS RESERVED.

LOC
J

DIST

REVISIONS
変更

P

LTR

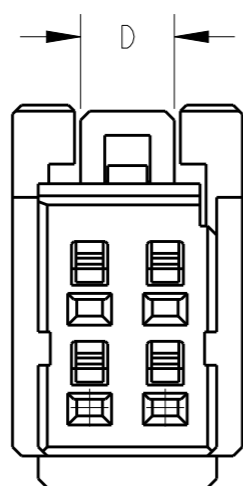
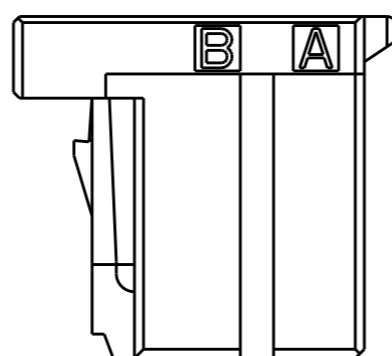
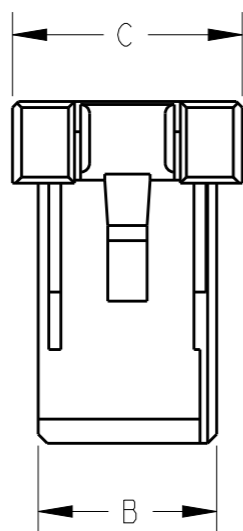
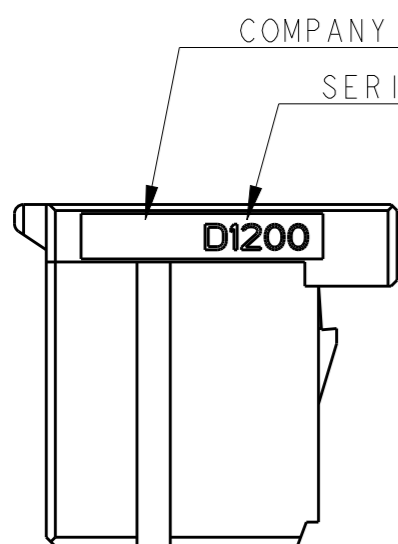
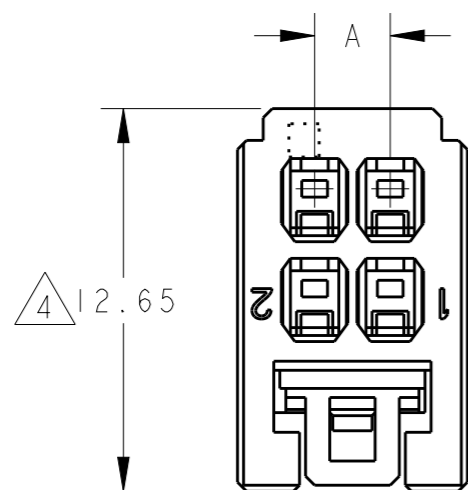
DESCRIPTION

DATE

DWN

APVD

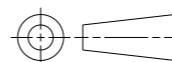
SEE SHEET 1



4 4POS(X-KEY):9-1827864-2

THIS DRAWING IS A CONTROLLED DOCUMENT.

DIMENSIONS:
単位: 耗
mm



TOLERANCES UNLESS OTHERWISE SPECIFIED:

- 一般公差
- 0 PLC ±
- 1 PLC ±
- 2 PLC ±
- 3 PLC ±
- 4 PLC ±
- ANGLES ±

MATERIAL
材料

FINISH
仕上

DWN 23AUG2005

T. KUDO

CHK 23AUG2005

D. MITSUGI

APVD 23AUG2005

D. MITSUGI

PRODUCT SPEC

製品規格
108-78268, 78298

APPLICATION SPEC

取付適用規格
114-5377

WEIGHT

CUSTOMER DRAWING



TE Connectivity

NAME
名称

DYNAMIC D1200D 2.5mm PITCH
REC HSG
4-20 POS

SIZE

CAGE CODE

DRAWING NO
番号

RESTRICTED TO

A300779

C-1827864

SCALE
尺度 4:1

SHEET 4 OF 4

REV E

X-ON Electronics

Largest Supplier of Electrical and Electronic Components

Click to view similar products for [Headers & Wire Housings](#) category:

Click to view products by [TE Connectivity](#) manufacturer:

Other Similar products are found below :

[892-18-020-10-001101](#) [58102-G61-06LF](#) [582553-1](#) [0009485154](#) [009176003701906](#) [0050291907](#) [LY20-4P-DT1-P1E-BR](#) [02.125.8002.8](#)
[609-3404](#) [61062-3](#) [61082-181009](#) [622-3653LF](#) [63453-116](#) [636-1030](#) [636-1427](#) [636-3427](#) [636-4007](#) [641938-9](#) [641991-4](#) [644827-2](#) [65817-](#)
[010LF](#) [65817-015LF](#) [65863-015LF](#) [66207-023LF](#) [67095-007LF](#) [67601157](#) [68645-018](#) [68648-049](#) [70.362.1628.0](#) [70-4210](#) [70-4226B](#) [70-](#)
[4853B](#) [707-5020](#) [707-5028](#) [71.350.2428.0](#) [71918-208LF](#) [71961-016LF](#) [733-134](#) [733-162](#) [754199-000](#) [760-3052](#) [79531-3000](#) [FCN-](#)
[360C032-B](#) [FCN-367T-T012/H](#) [FCN-723D010/2](#) [80.063.4001.1](#) [800-90-001-10-001000](#) [800-90-010-10-002000](#) [801-43-002-10-013000](#)
[801-43-006-10-002000](#)