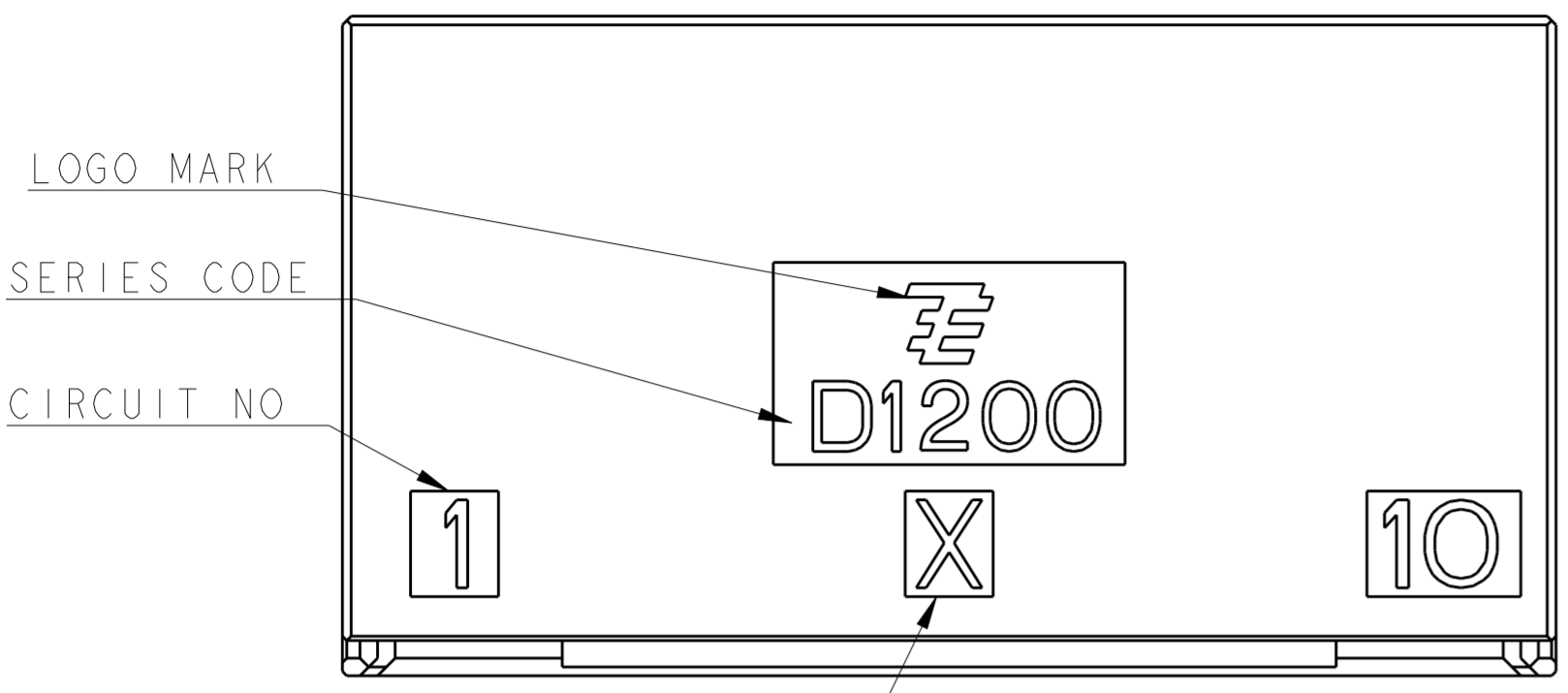


THIS DRAWING IS UNPUBLISHED. RELEASED FOR PUBLICATION 20
 © COPYRIGHT 20 ALL RIGHTS RESERVED.

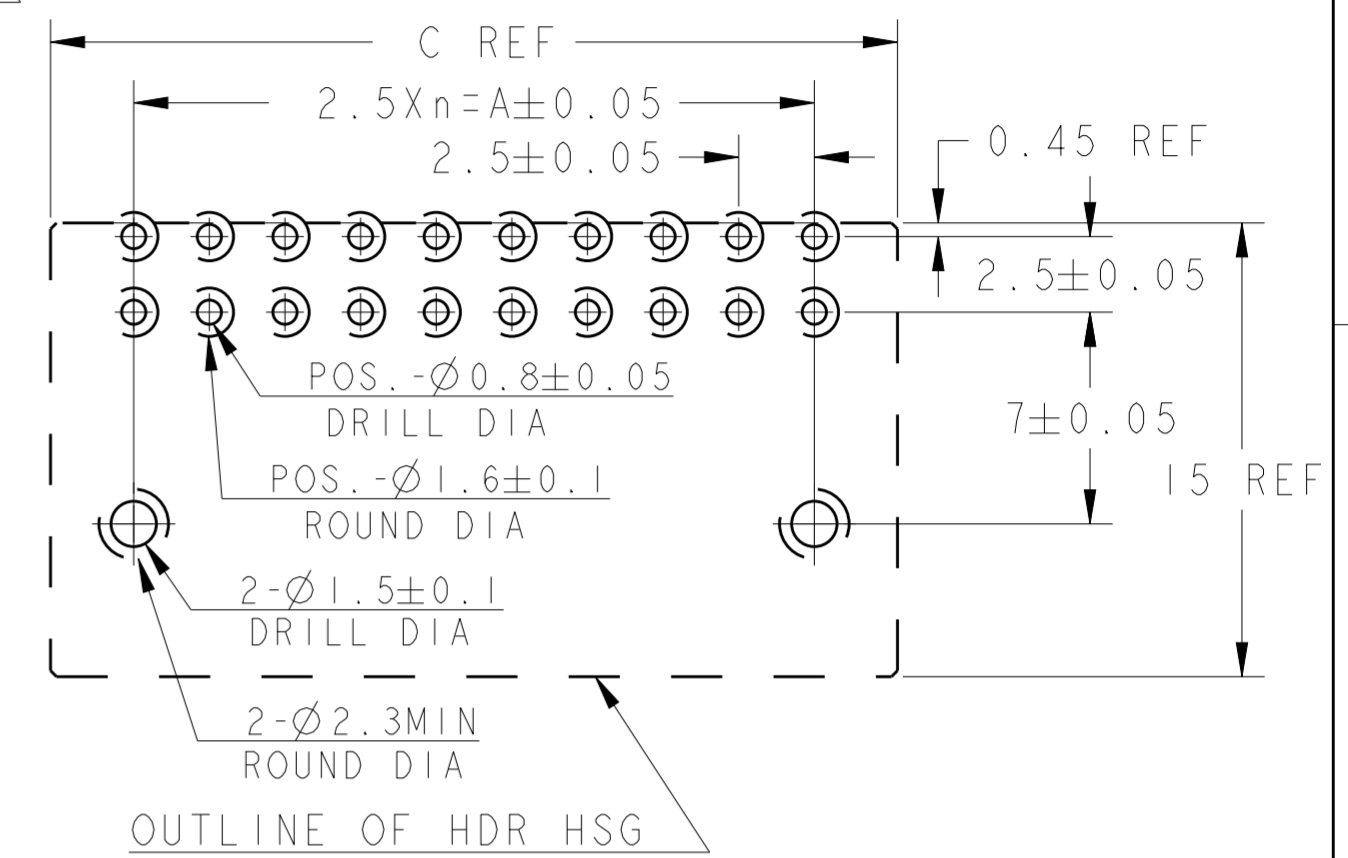
1. MATERIAL: HOUSING: GLASS FILLED THERMO PLASTIC POLYESTER(94V-0), COLOR: BLACK
 CONTACT: COPPER ALLOY
 RETENTION LEG: PRE-TIN COPPER ALLOY

REVISONS			DATE	DWN	APVD
P	LTR	DESCRIPTION			
C2		REVISED PER ECR-17-009217	24JUL2017	K.T	E.T



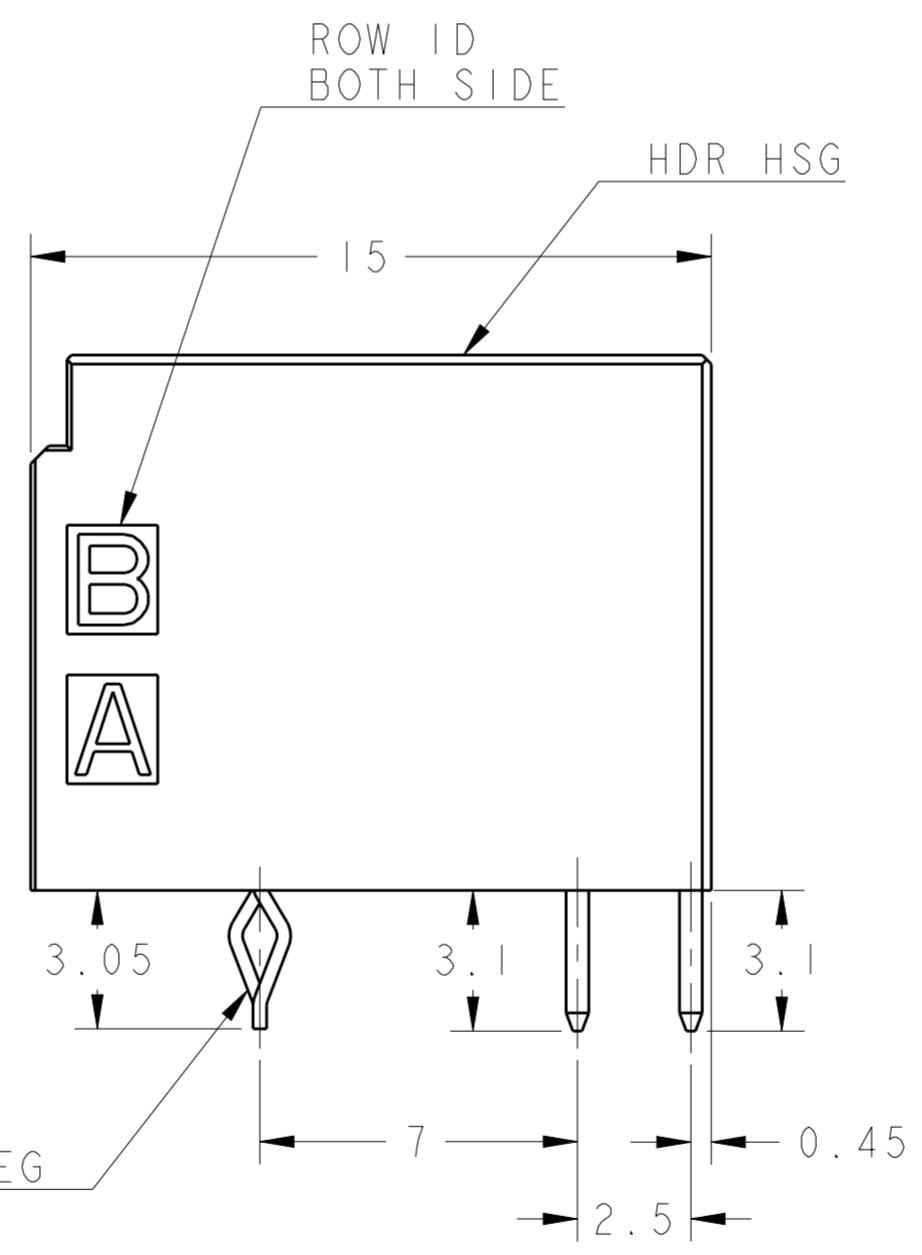
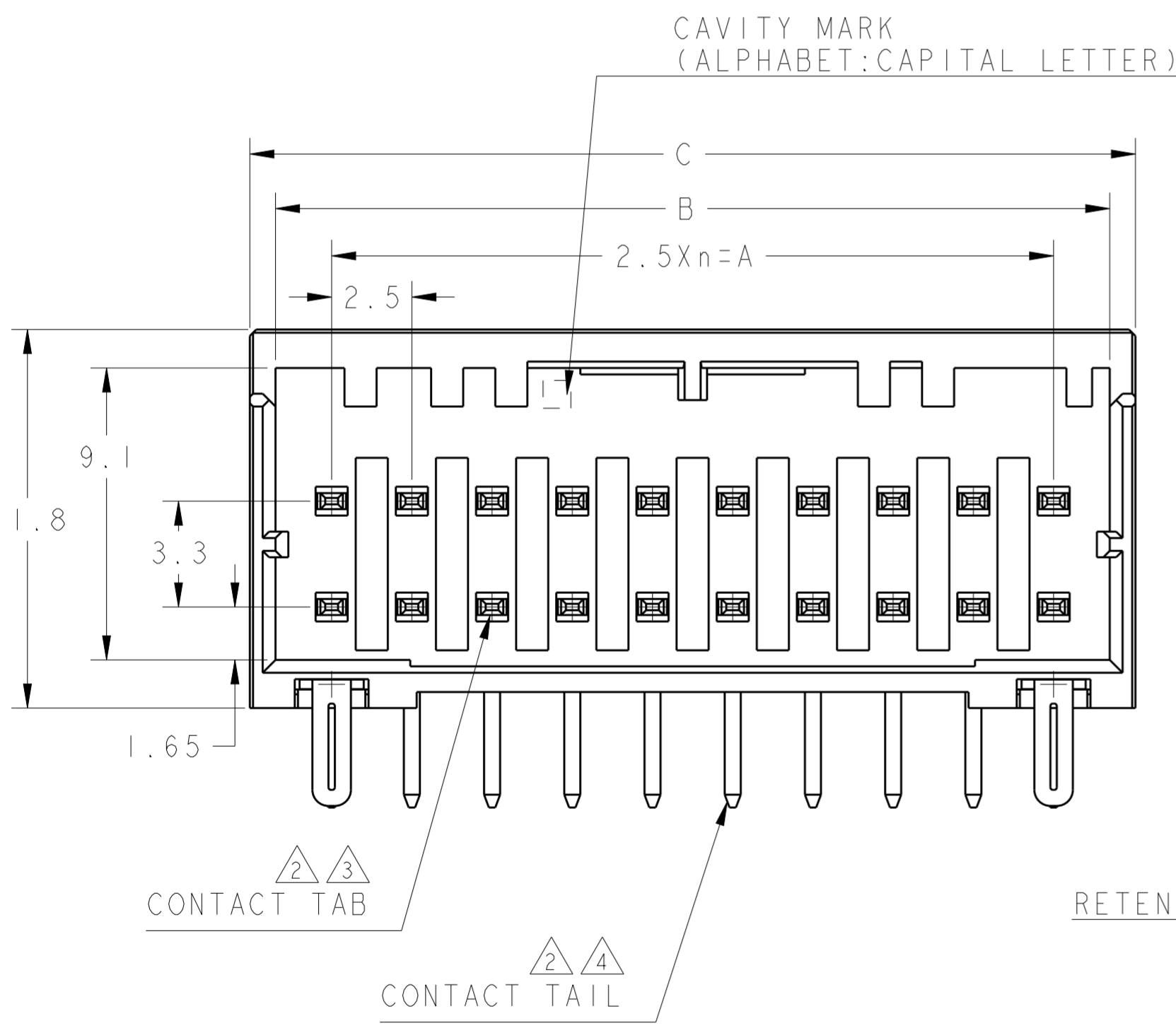
- 2. FINISH(ALL OVER): NICKEL PL. 1.27μmMIN
- 3. FINISH(CONTACT AREA): GOLD PL. 0.38μmMIN AFTER 2
- 4. FINISH(CONTACT TAIL): TIN PL. 2μmMIN AFTER 2
- 5. THE SHAPE, SIZE AND POSITION OF THE CHARACTER SHOW THE OUTLINE. THEY DON'T SHOW DETAILS.
- 6. THE KEYING ARRANGEMENT OF "Y" IS SYMMETRIC WITH "X".

- 1. 材料: ハウジング: ガラス入り熱可塑性ポリエステル樹脂(94V-0)、色: 黒
 コンタクト: 銅合金
 リテンションレグ: 錫めっき済銅合金
- 2. めっき: 全面: ニッケル下地めっき1.27μm以上
- 3. めっき: 接触部 2の上に金めっき0.38μm以上
- 4. めっき: コンタクト半田付部: 2の上に錫めっき2μm以上
- 5. 文字の形状、大きさ、および位置については、大略を示すものであり、詳細を示すものではありません。
- 6. Y KEY形状は、X KEY形状と左右対称



推奨基板取付寸法 : コネクタ搭載面(非累積公差)
 PC基板厚 : 1.0~1.6±0.1

RECOMMEND PC BOARD HOLE PATTERN : CONNECTOR MOUNT SIDE(NOT ACCUMULATE TOLERANCE)
 PC BOARD THICKNESS : 1.0~1.6±0.1



AS SHOWN : 1-1827876-0 (20POS:X-KEY)
 ONLY 4POS----SEE SHEET 2 OF 3

20	Y	9	22.5	26.0	27.6	2-1827876-0
20	X	9	22.5	26.0	27.6	1-1827876-0
12	Y	5	12.5	16.0	17.6	2-1827876-6
12	X	5	12.5	16.0	17.6	1-1827876-6
8	Y	3	7.5	11.0	12.6	2-1827876-4
8	X	3	7.5	11.0	12.6	1-1827876-4
6	Y	2	5.0	8.5	10.1	2-1827876-3
6	X	2	5.0	8.5	10.1	1-1827876-3
4	Y	1	2.5	6.0	7.6	2-1827876-2
4	X	1	2.5	6.0	7.6	1-1827876-2
POS	KEY	n	A	B	C	PART NO

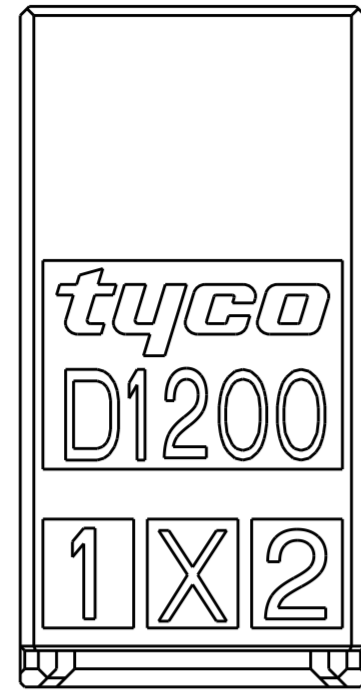
1-1827876-0
 (20POS:X-KEY)

THIS DRAWING IS A CONTROLLED DOCUMENT.

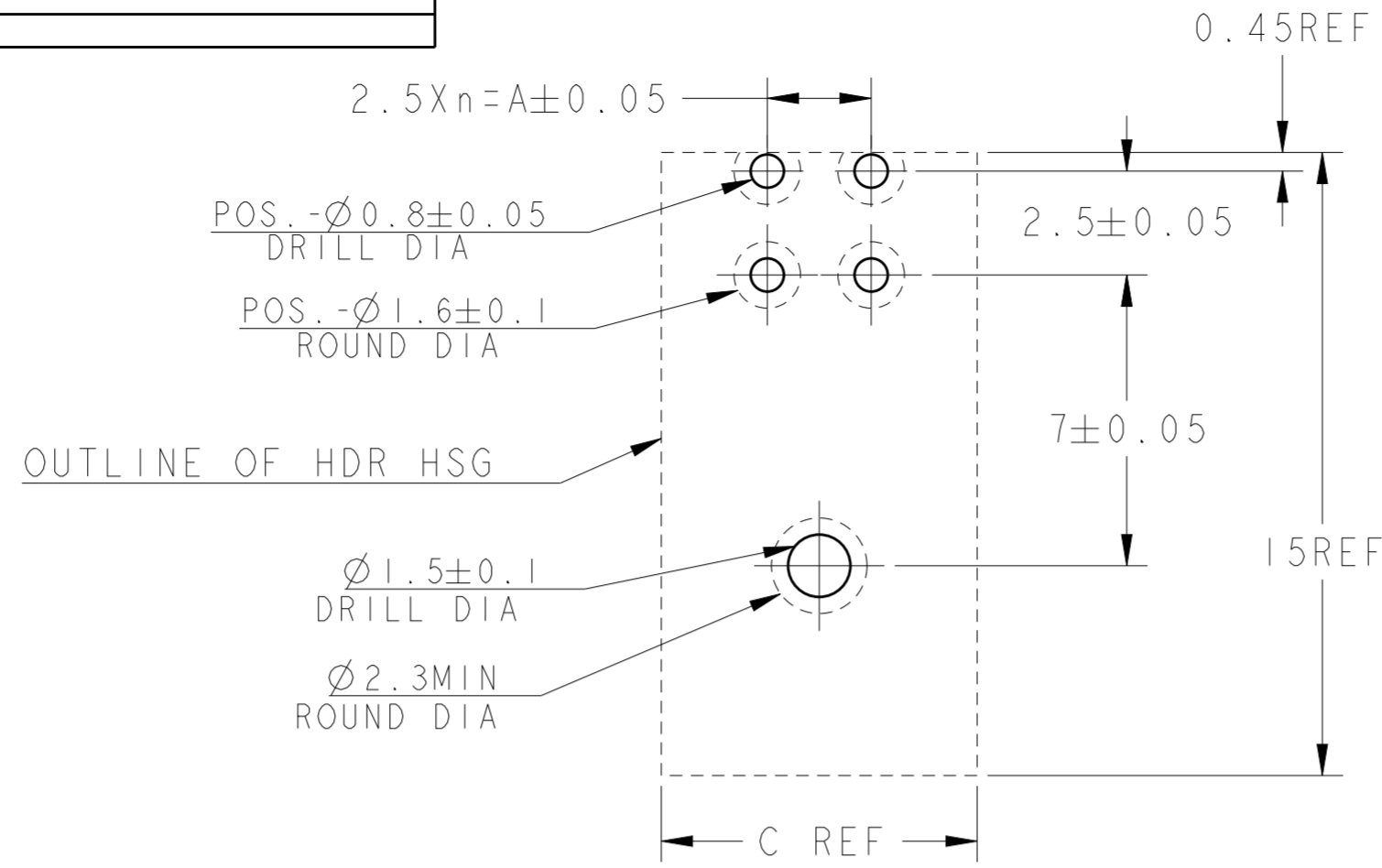
DWN T. KUDO	13JAN2005	 TE Connectivity	NAME DYNAMIC D1200D 2.5mmPITCH HDR ASSY (H-TYPE) 4-20POS
CHK D. MITSUGI	14MAR2005		
APVD D. MITSUGI	14MAR2005		
PRODUCT SPEC 108-78268			
DIMENSIONS: 単位: 桁 mm	TOLERANCES UNLESS OTHERWISE SPECIFIED: 一般公差 ±0.3, ±3° 0-PLC ±0.5 1-PLC ±0.5 2-PLC ±0.13 3-PLC ±0.013 4-PLC ±0.0001 ANGLES ± FINISH 仕上	SIZE A200779	CAGE CODE C-1827876
MATERIAL 材料		SCALE 尺度 6:1	SHEET 1 OF 3
CUSTOMER DRAWING		RESTRICTED TO	REV C2

THIS DRAWING IS UNPUBLISHED. RELEASED FOR PUBLICATION 20
 © COPYRIGHT 20 ALL RIGHTS RESERVED.

LOC		DIST		REVISIONS			
P	LTR	DESCRIPTION	DATE	DWN	APVD		
J	-	SEE SHEET 1	-	-	-		



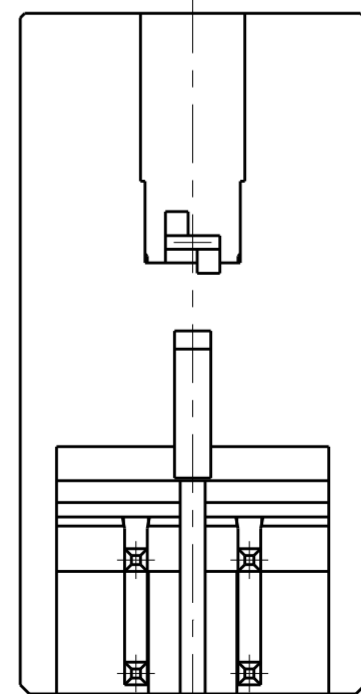
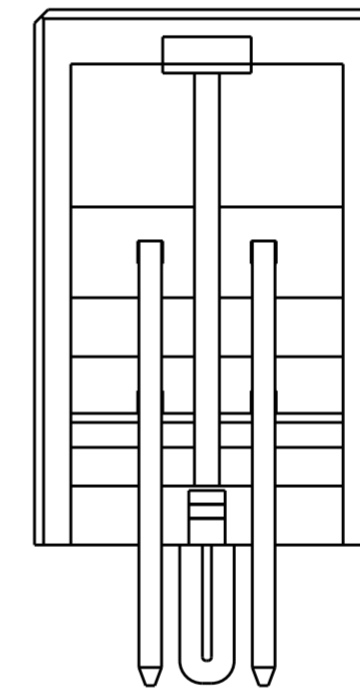
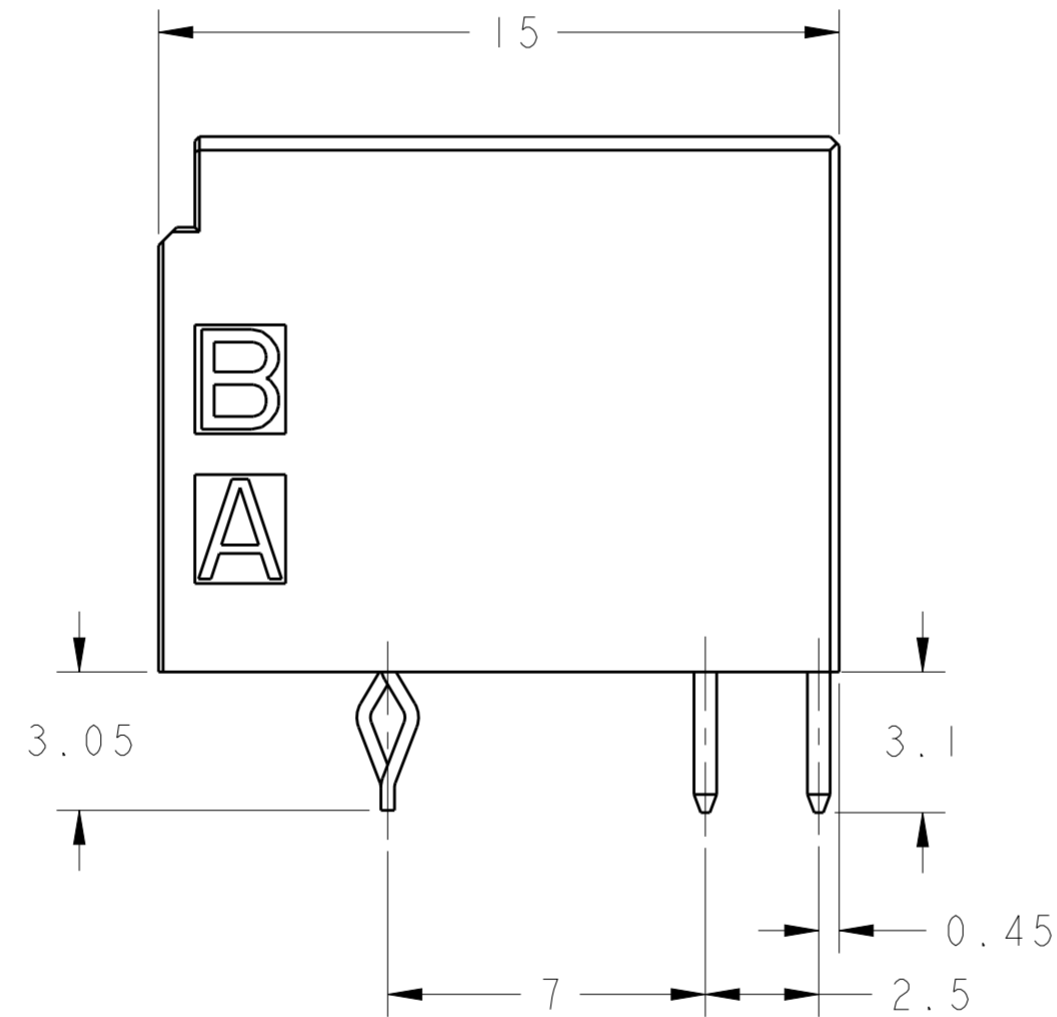
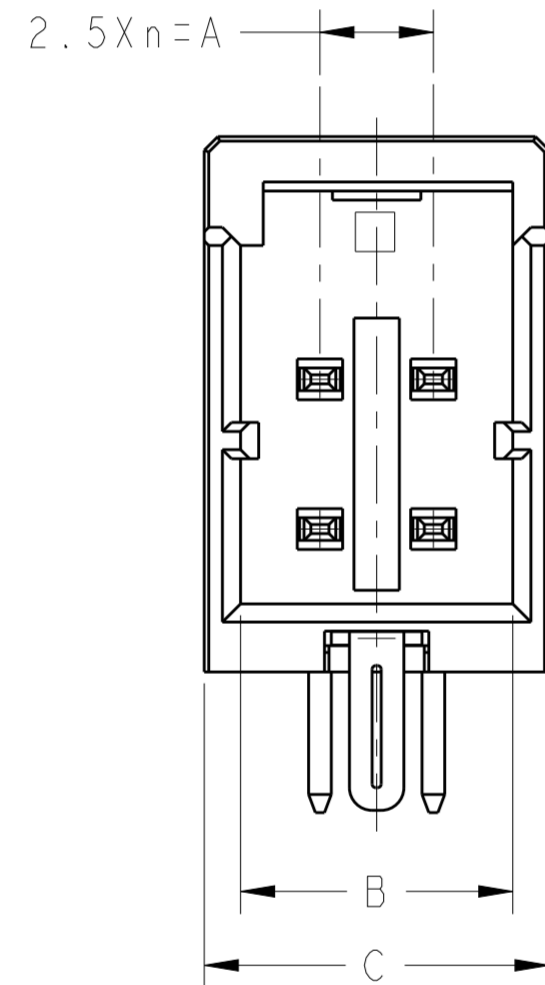
1-1827876-2
(4POS: X-KEY)



推奨基板取付穴寸法 : コネクタ搭載面 (非累積公差)
 PC基板厚 : 1.0~1.6±0.1

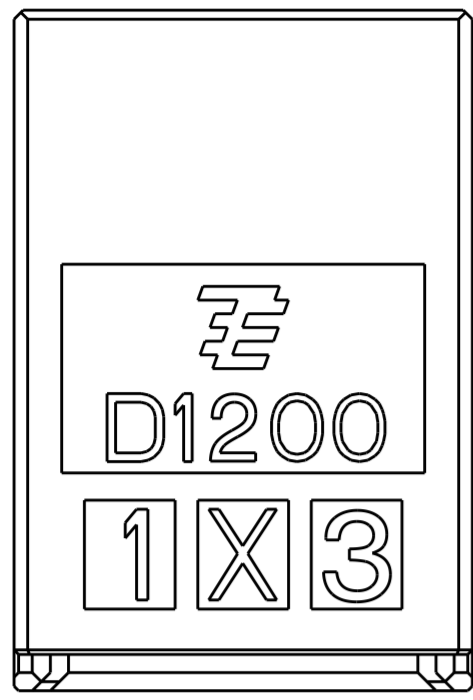
RECOMMEND PC BOARD HOLE PATTERN
 : CONNECTOR MOUNT SIDE (NOT ACCUMULATE TOLERANCE)
 PC BOARD THICKNESS : 1.0~1.6±0.1

ONLY 4POS

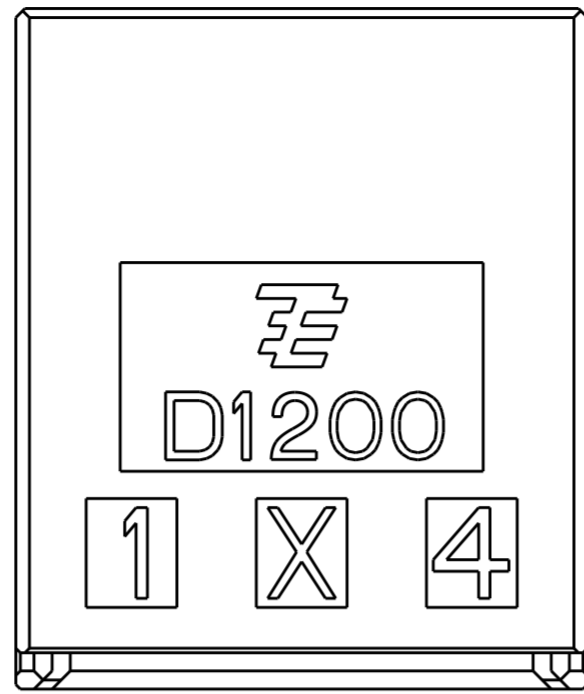


THIS DRAWING IS A CONTROLLED DOCUMENT		DWN I. KUDO	13 JAN 2005	TE Connectivity	
DIMENSIONS: mm		CHK D. MITSUGI	14 MAR 2005		
TOLERANCES UNLESS OTHERWISE SPECIFIED:		APVD D. MITSUGI	14 MAR 2005	NAME DYNAMIC D1200D 2.5mm PITCH HDR ASSY (H-TYPE) 4-20POS	
0 PLC ±		PRODUCT SPEC 108-78268		SIZE A200779	
2 PLC ±		APPLICATION SPEC 114-5377		DRAWING NO C-1827876	
3 PLC ±		WEIGHT -		RESTRICTED TO -	
4 PLC ±		CUSTOMER DRAWING		SCALE 6:1	
ANGLES ±				SHEET 2 OF 3	
FINISH				REV C2	

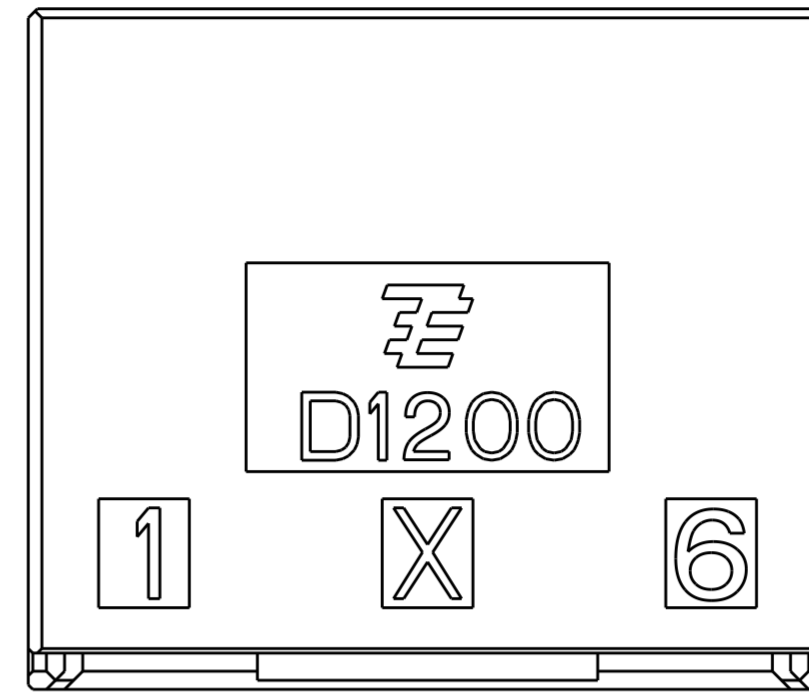
LOC		DIST		REVISIONS			
P	LTR	DATE	DWN	APVD	DESCRIPTION		
J	-	-	-	-	SEE SHEET 1		



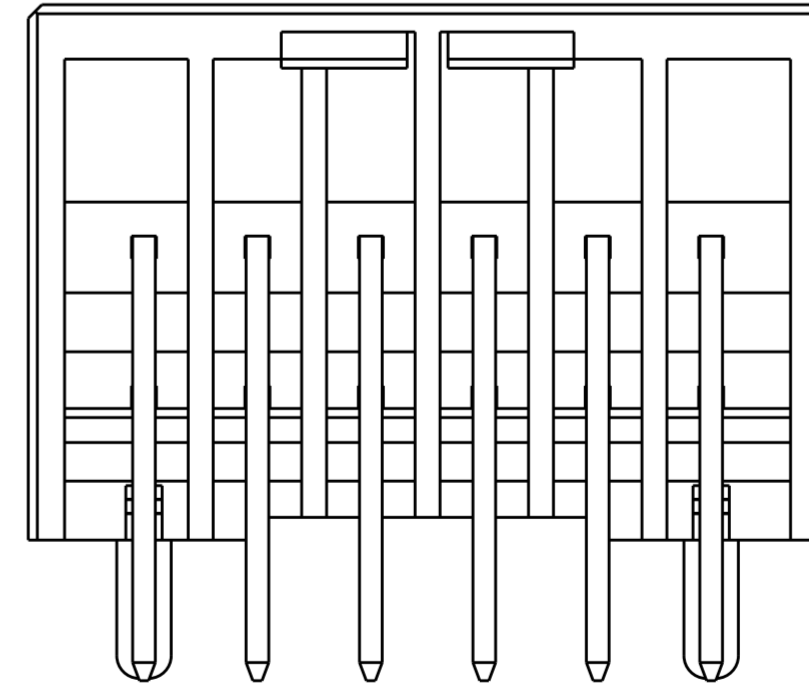
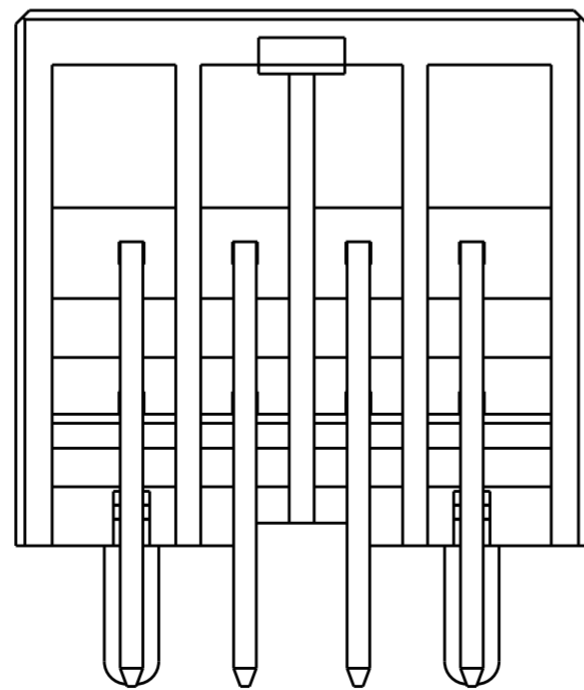
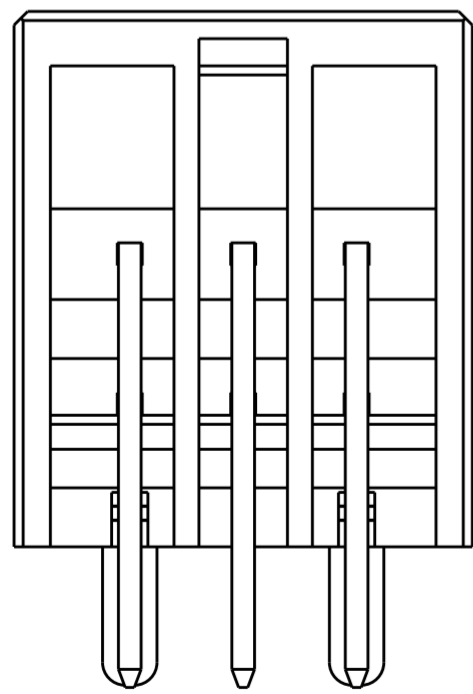
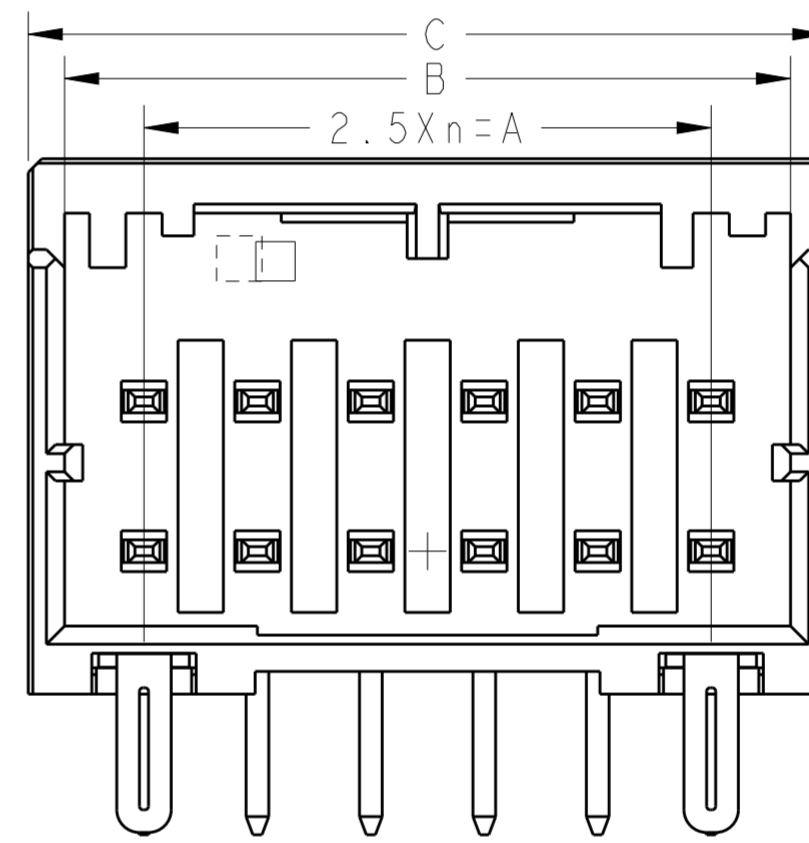
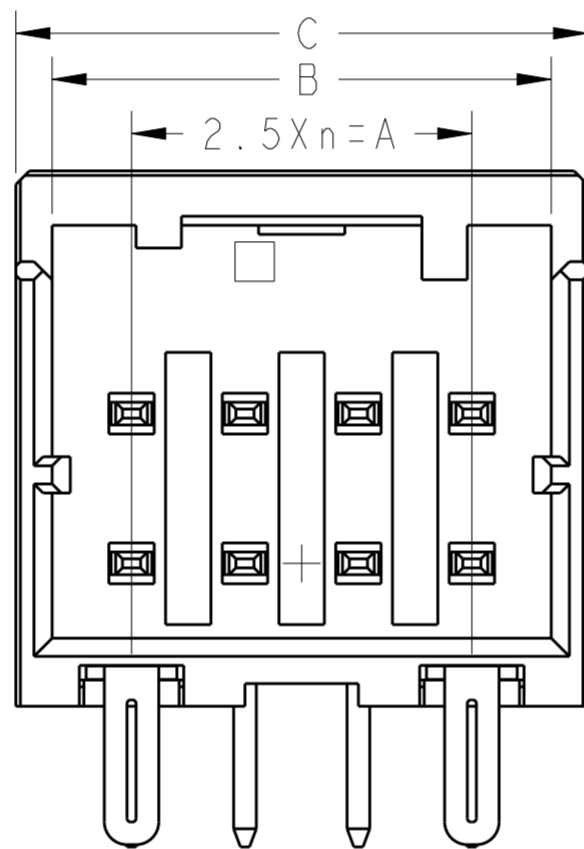
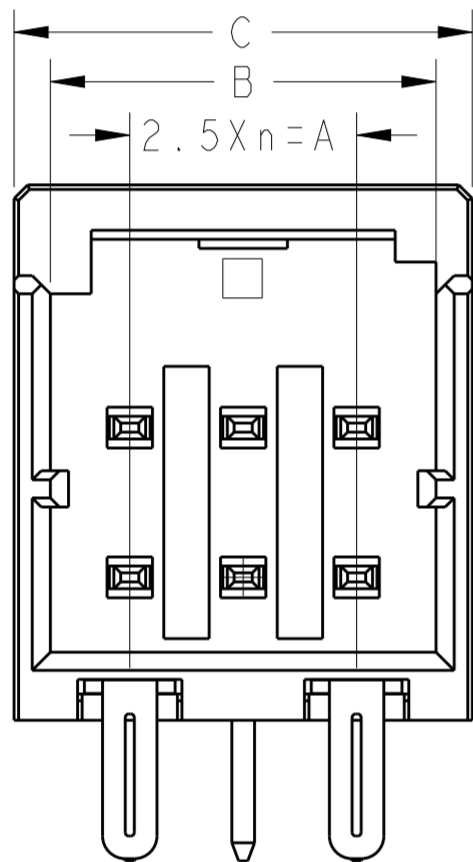
1-1827876-3
(6POS:X-KEY)



1-1827876-4
(8POS:X-KEY)



1-1827876-6
(12POS:X-KEY)



THIS DRAWING IS A CONTROLLED DOCUMENT		DWN T. KUDO	16MAR2005	STE TE Connectivity
DIMENSIONS:		CHK D. MITSUGI	14MAR2005	
TOLERANCES UNLESS OTHERWISE SPECIFIED:		APVD D. MITSUGI	14MAR2005	
mm		PRODUCT SPEC		
1.0 PLC ±		108-78268		NAME DYNAMIC D1200D 2.5mmPITCH HDR ASSY (H-TYPE) 4-20POS
2.0 PLC ±		APPLICATION SPEC		
3.0 PLC ±		114-5377		SIZE
4.0 PLC ±		WEIGHT		CAGE CODE
ANGLES ±				DRAWING NO
FINISH				RESTRICTED TO
MATERIAL		CUSTOMER DRAWING		A200779
				SCALE 6:1
				SHEET 3 OF 3
				REV C2

X-ON Electronics

Largest Supplier of Electrical and Electronic Components

Click to view similar products for [Headers & Wire Housings](#) category:

Click to view products by [TE Connectivity](#) manufacturer:

Other Similar products are found below :

[892-18-020-10-001101](#) [58102-G61-06LF](#) [582553-1](#) [0009485154](#) [009176003701906](#) [0050291907](#) [LY20-4P-DT1-P1E-BR](#) [02.125.8002.8](#)
[609-3404](#) [61062-3](#) [61082-181009](#) [622-3653LF](#) [63453-116](#) [636-1030](#) [636-1427](#) [636-3427](#) [636-4007](#) [641938-9](#) [641991-4](#) [644827-2](#) [65817-](#)
[010LF](#) [65817-015LF](#) [65863-015LF](#) [66207-023LF](#) [67095-007LF](#) [67601157](#) [68645-018](#) [68648-049](#) [70.362.1628.0](#) [70-4210](#) [70-4226B](#) [70-](#)
[4853B](#) [707-5020](#) [707-5028](#) [71.350.2428.0](#) [71918-208LF](#) [71961-016LF](#) [733-134](#) [733-162](#) [754199-000](#) [760-3052](#) [787-8014-00](#) [79531-3000](#)
[FCN-360C032-B](#) [FCN-367T-T012/H](#) [FCN-723D010/2](#) [80.063.4001.1](#) [800-90-001-10-001000](#) [800-90-010-10-002000](#) [801-43-002-10-013000](#)