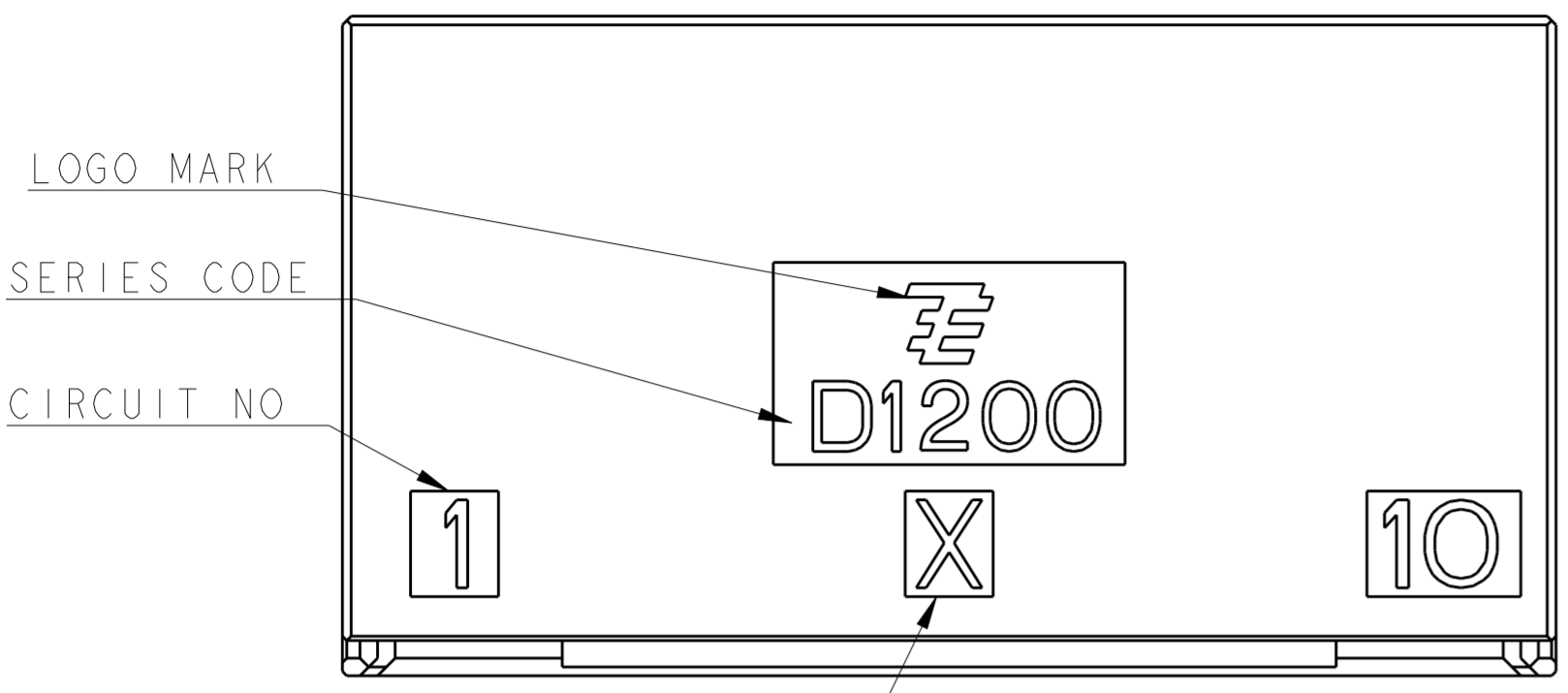


THIS DRAWING IS UNPUBLISHED. RELEASED FOR PUBLICATION 20  
 © COPYRIGHT 20 ALL RIGHTS RESERVED.

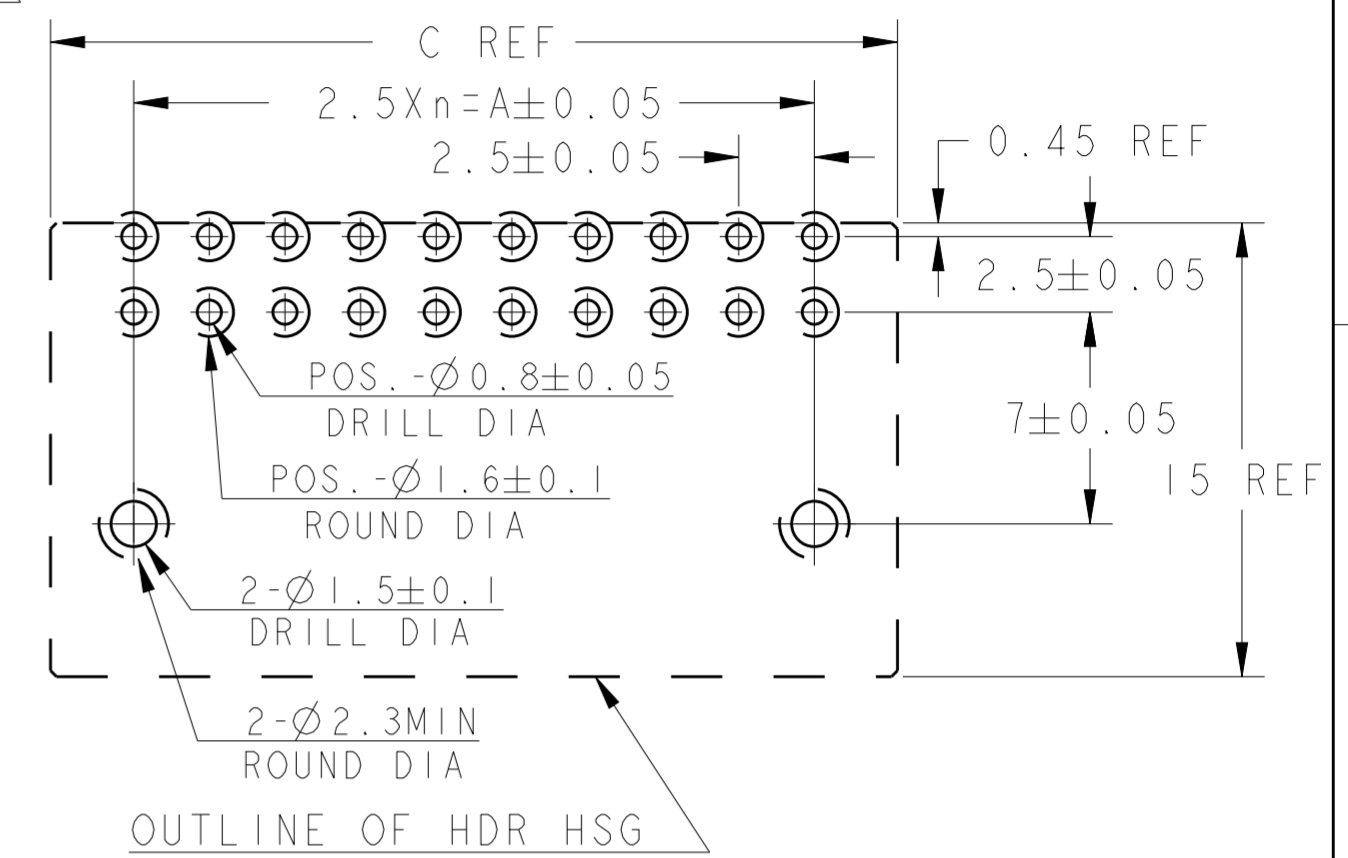
1. MATERIAL: HOUSING: GLASS FILLED THERMO PLASTIC POLYESTER(94V-0), COLOR: BLACK  
 CONTACT: COPPER ALLOY  
 RETENTION LEG: PRE-TIN COPPER ALLOY

REVISONS		DATE	DWN	APVD
P	LTR	DESCRIPTION		
C2		REVISED PER ECR-17-009217	24JUL2017	K.T E.T



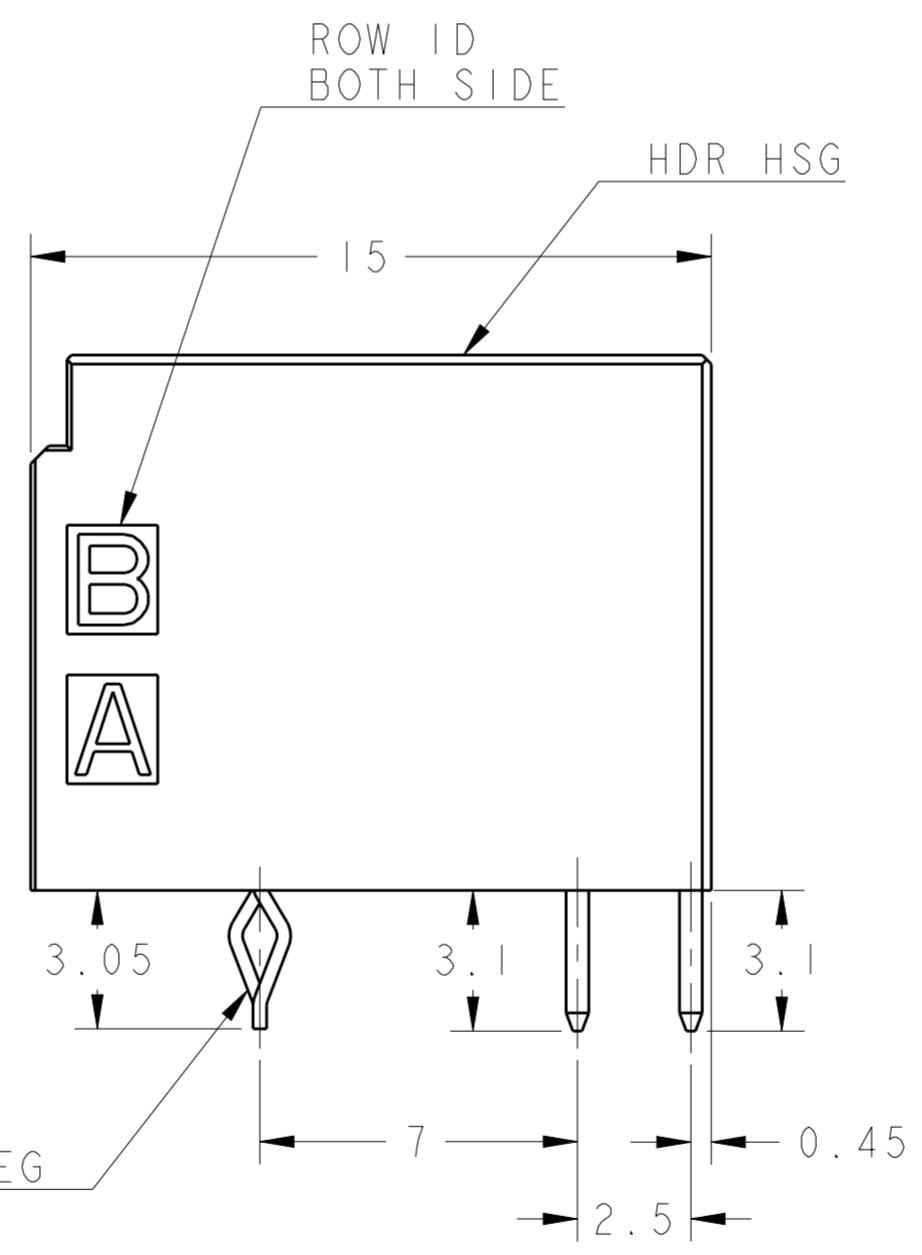
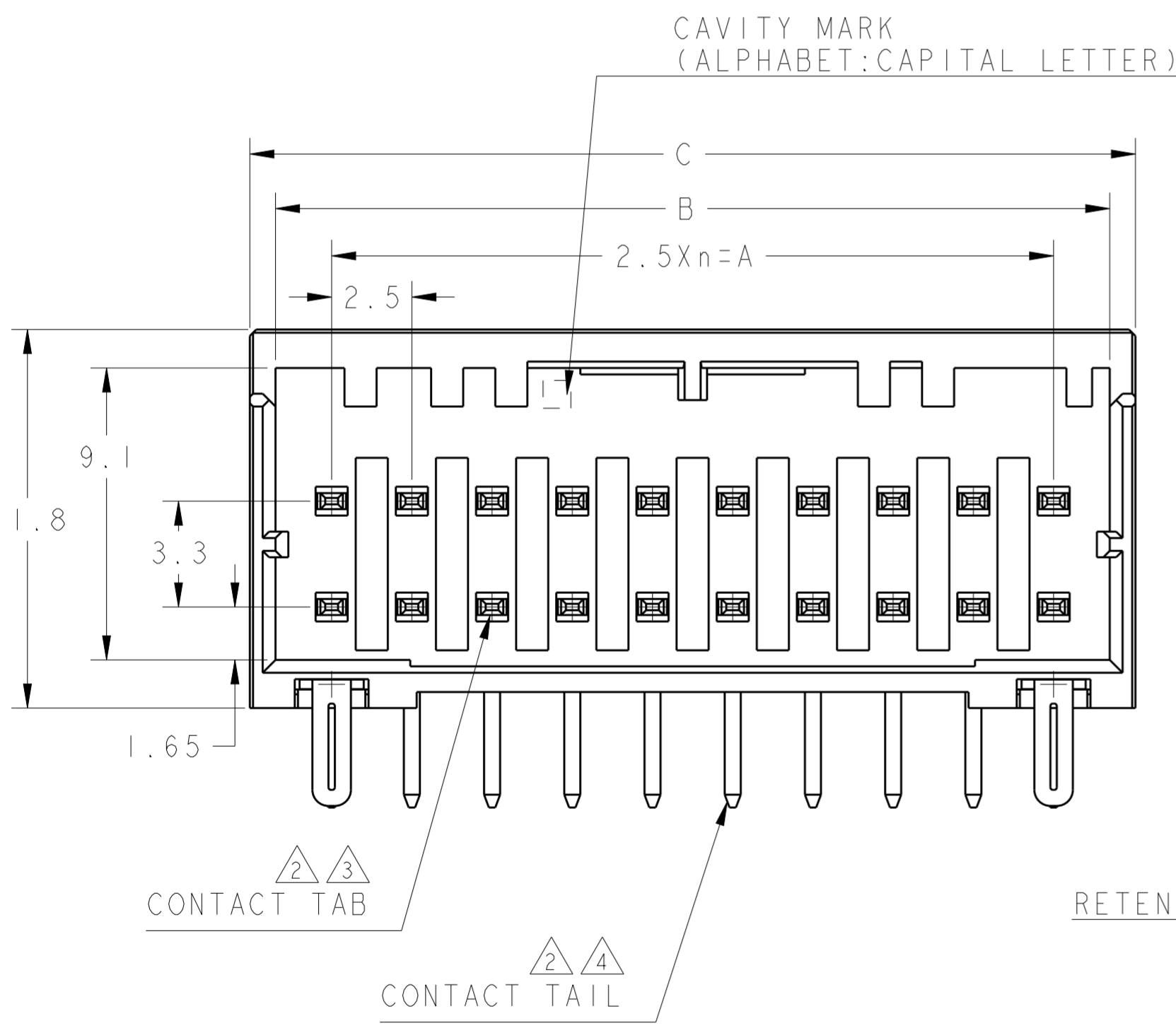
- 2. FINISH(ALL OVER): NICKEL PL. 1.27μmMIN
- 3. FINISH(CONTACT AREA): GOLD PL. 0.38μmMIN AFTER 2
- 4. FINISH(CONTACT TAIL): TIN PL. 2μmMIN AFTER 2
- 5. THE SHAPE, SIZE AND POSITION OF THE CHARACTER SHOW THE OUTLINE. THEY DON'T SHOW DETAILS.
- 6. THE KEYING ARRANGEMENT OF "Y" IS SYMMETRIC WITH "X".

- 1. 材料: ハウジング: ガラス入り熱可塑性ポリエステル樹脂(94V-0)、色: 黒  
 コンタクト: 銅合金  
 リテンションレグ: 錫めっき済銅合金
- 2. めっき: 全面: ニッケル下地めっき1.27μm以上
- 3. めっき: 接触部 2の上に金めっき0.38μm以上
- 4. めっき: コンタクト半田付部: 2の上に錫めっき2μm以上
- 5. 文字の形状、大きさ、および位置については、大略を示すものであり、詳細を示すものではありません。
- 6. Y KEY形状は、X KEY形状と左右対称



推奨基板取付寸法 : コネクタ搭載面(非累積公差)  
 PC基板厚 : 1.0~1.6±0.1

RECOMMEND PC BOARD HOLE PATTERN : CONNECTOR MOUNT SIDE(NOT ACCUMULATE TOLERANCE)  
 PC BOARD THICKNESS : 1.0~1.6±0.1



AS SHOWN : 1-1827876-0 (20POS:X-KEY)  
 ONLY 4POS----SEE SHEET 2 OF 3

POS	KEY	n	A	B	C	PART NO
20	Y	9	22.5	26.0	27.6	2-1827876-0
20	X	9	22.5	26.0	27.6	1-1827876-0
12	Y	5	12.5	16.0	17.6	2-1827876-6
12	X	5	12.5	16.0	17.6	1-1827876-6
8	Y	3	7.5	11.0	12.6	2-1827876-4
8	X	3	7.5	11.0	12.6	1-1827876-4
6	Y	2	5.0	8.5	10.1	2-1827876-3
6	X	2	5.0	8.5	10.1	1-1827876-3
4	Y	1	2.5	6.0	7.6	2-1827876-2
4	X	1	2.5	6.0	7.6	1-1827876-2

1-1827876-0  
 (20POS:X-KEY)

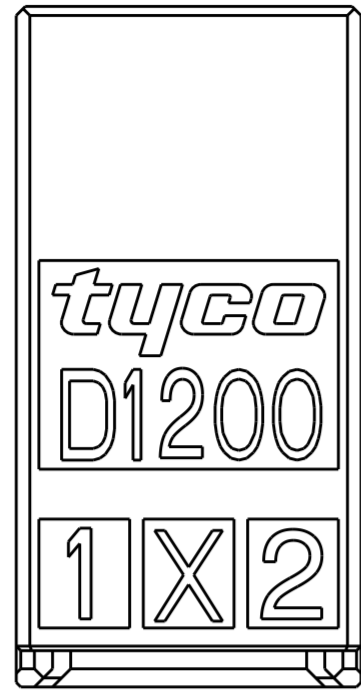
THIS DRAWING IS A CONTROLLED DOCUMENT.

DWN T. KUDO 13JAN2005	 TE Connectivity DYNAMIC D1200D 2.5mmPITCH HDR ASSY (H-TYPE) 4-20POS	NAME D. MITSUGI	RESTRICTED TO	
CHK D. MITSUGI 14MAR2005		PRODUCT SPEC 108-78268		
APVD D. MITSUGI 14MAR2005		APPLICATION SPEC 114-5377	SIZE A200779	DRAWING NO C-1827876
MATERIAL 材料		WEIGHT	SCALE 尺度 6:1	SHEET 1 OF 3

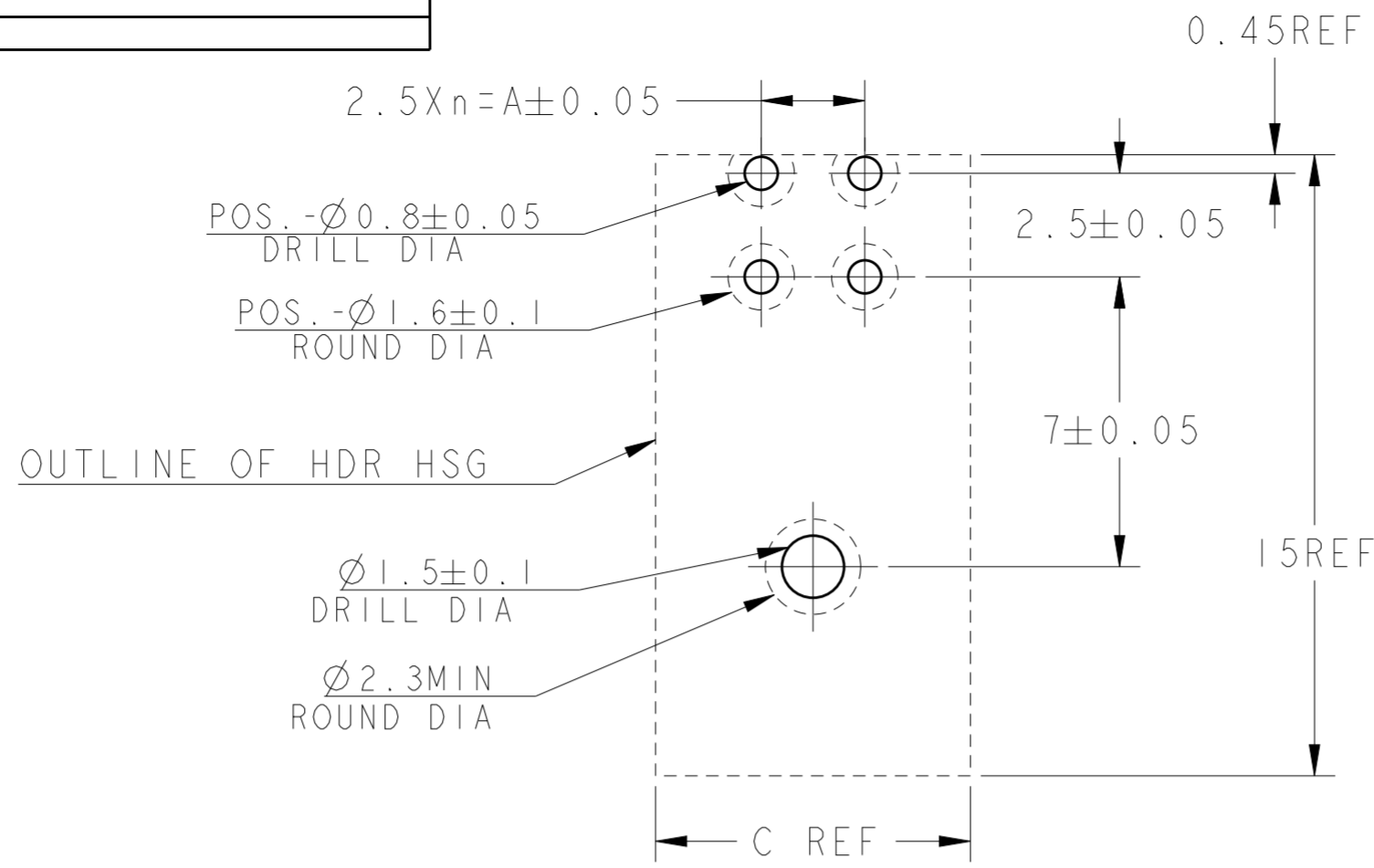
CUSTOMER DRAWING

THIS DRAWING IS UNPUBLISHED. RELEASED FOR PUBLICATION 20  
 © COPYRIGHT 20 ALL RIGHTS RESERVED.

LOC		DIST		REVISIONS			
P	LTR	DESCRIPTION	DATE	DWN	APVD		
J	-	SEE SHEET 1	-	-	-		



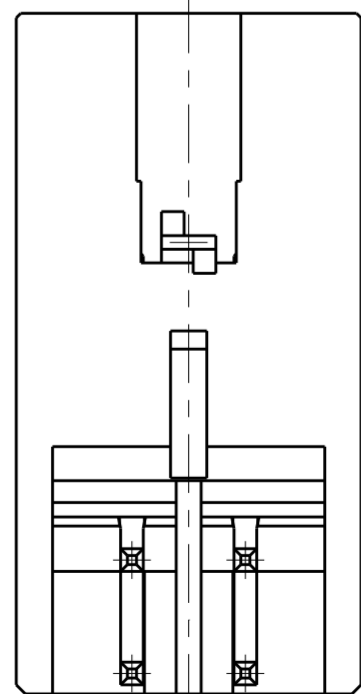
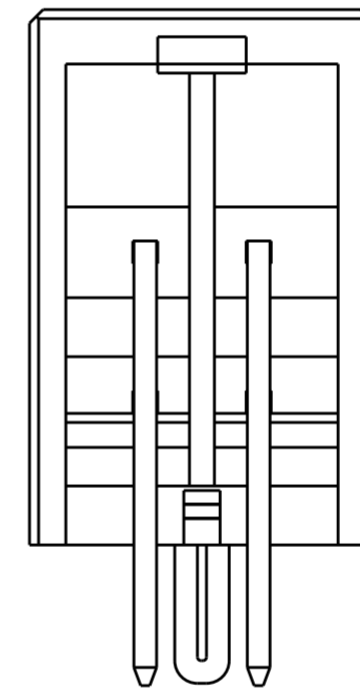
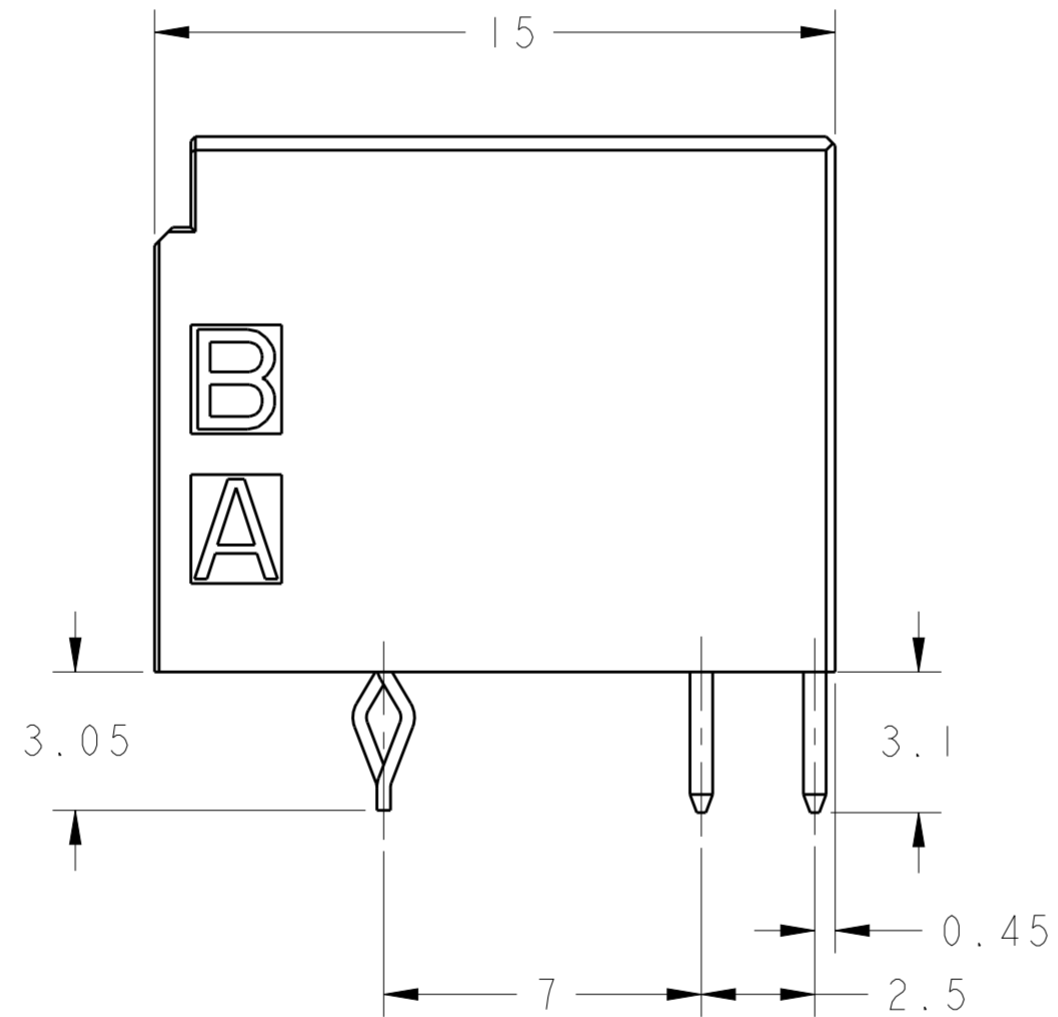
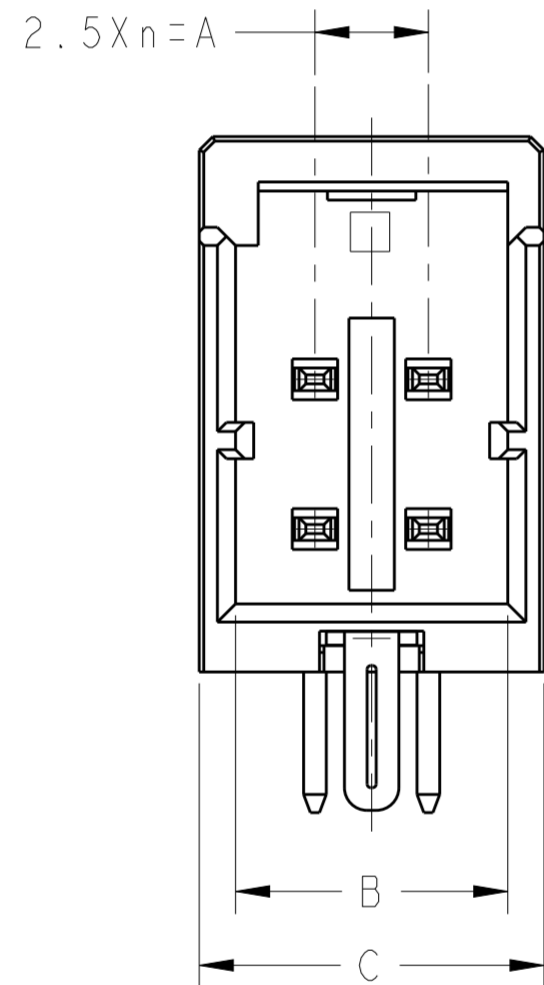
1-1827876-2  
(4POS: X-KEY)



推奨基板取付穴寸法 : コネクタ搭載面 (非累積公差)  
 PC基板厚 : 1.0~1.6±0.1

RECOMMEND PC BOARD HOLE PATTERN  
 : CONNECTOR MOUNT SIDE (NOT ACCUMULATE TOLERANCE)  
 PC BOARD THICKNESS : 1.0~1.6±0.1

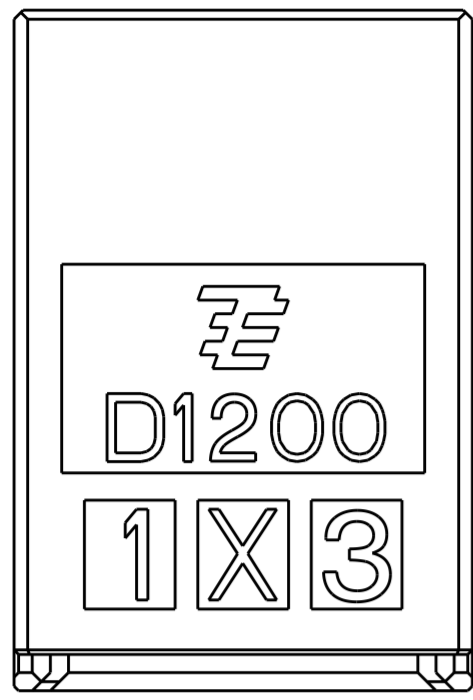
ONLY 4POS



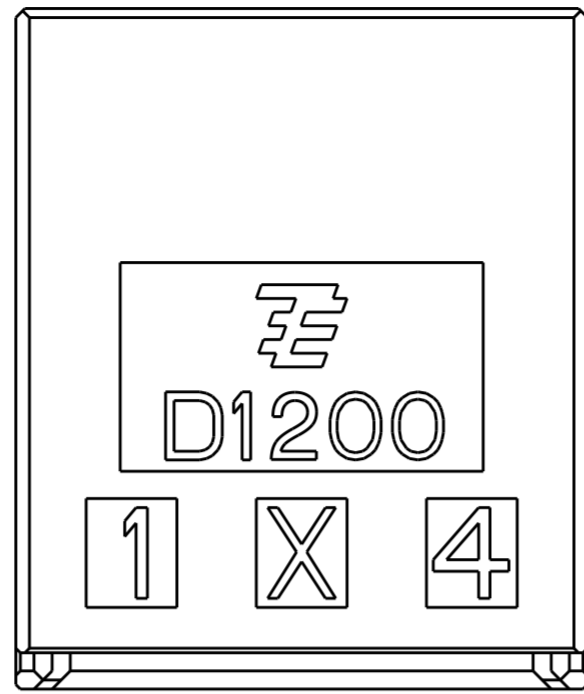
THIS DRAWING IS A CONTROLLED DOCUMENT		DWN	13JAN2005		TE Connectivity
DIMENSIONS:		CHK	14MAR2005		
mm		APVD	14MAR2005		
TOLERANCES UNLESS OTHERWISE SPECIFIED:		NAME			
0 PLC	±	D. MITSUGI			DYNAMIC D1200D 2.5mmPITCH HDR ASSY (H-TYPE) 4-20POS
2 PLC	±	PRODUCT SPEC			
3 PLC	±	108-78268			SIZE
4 PLC	±	APPLICATION SPEC			CAGE CODE
ANGLES	±	114-5377			DRAWING NO
FINISH	±	WEIGHT			RESTRICTED TO
MATERIAL		CUSTOMER DRAWING			A200779
		SCALE			6:1
		SHEET			2 OF 3
		REV			C2

THIS DRAWING IS UNPUBLISHED. RELEASED FOR PUBLICATION 20  
 © COPYRIGHT 20 ALL RIGHTS RESERVED.

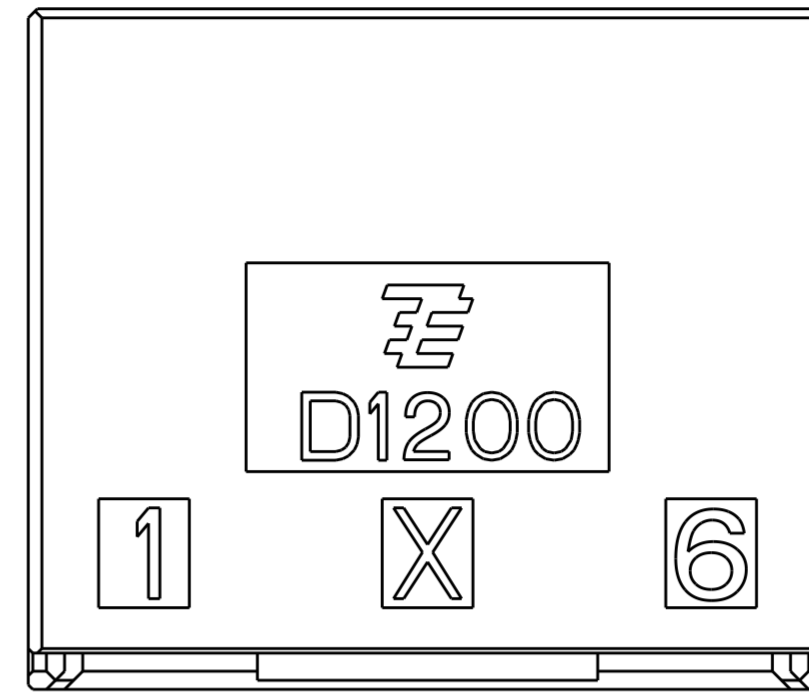
LOC		DIST		REVISIONS			
P	LTR	DATE	DWN	APVD	DESCRIPTION		
J	-	-	-	-	SEE SHEET 1		



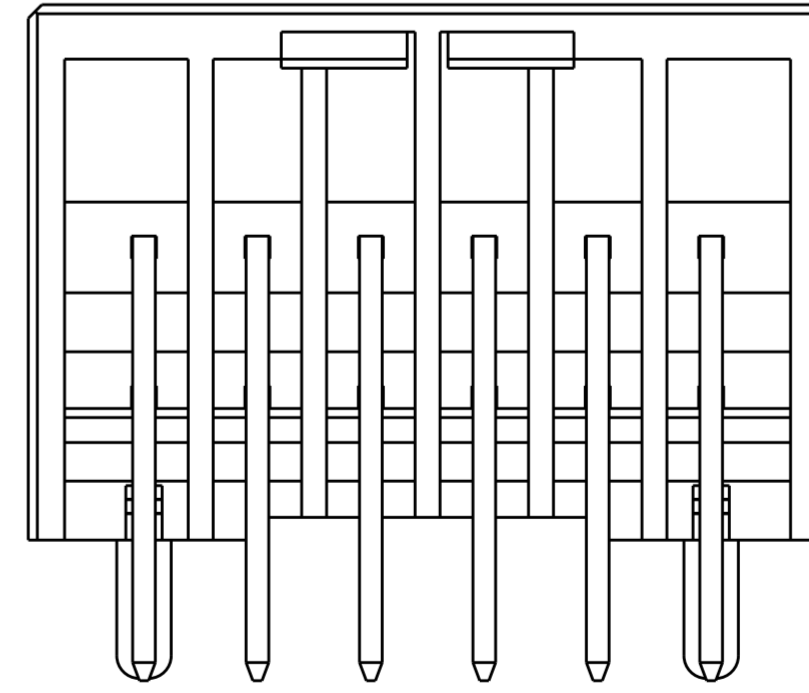
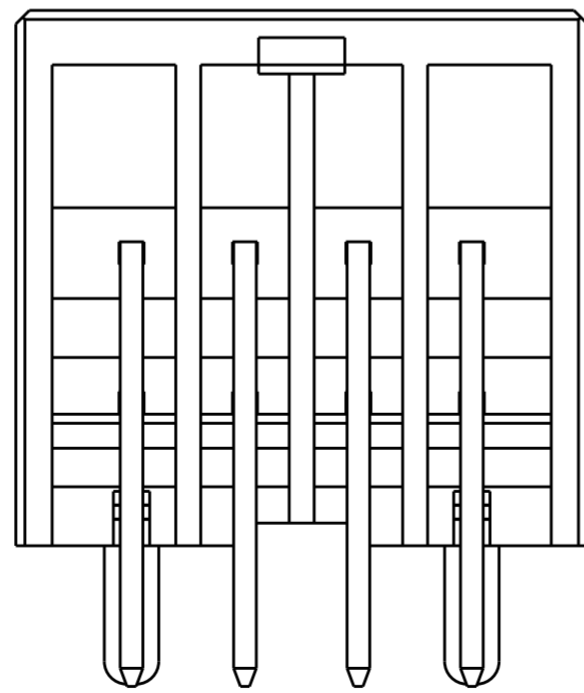
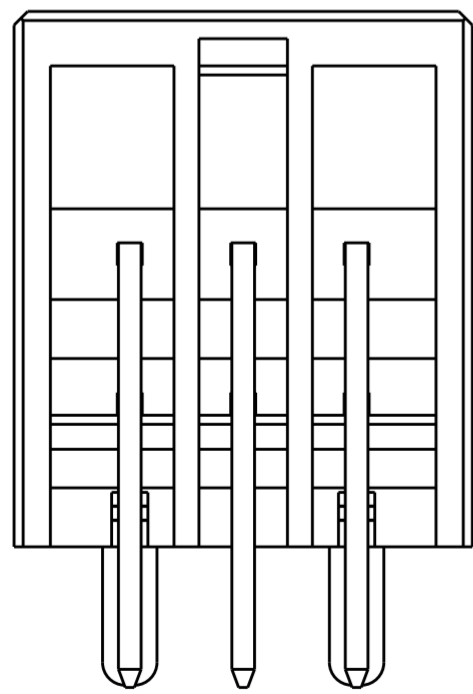
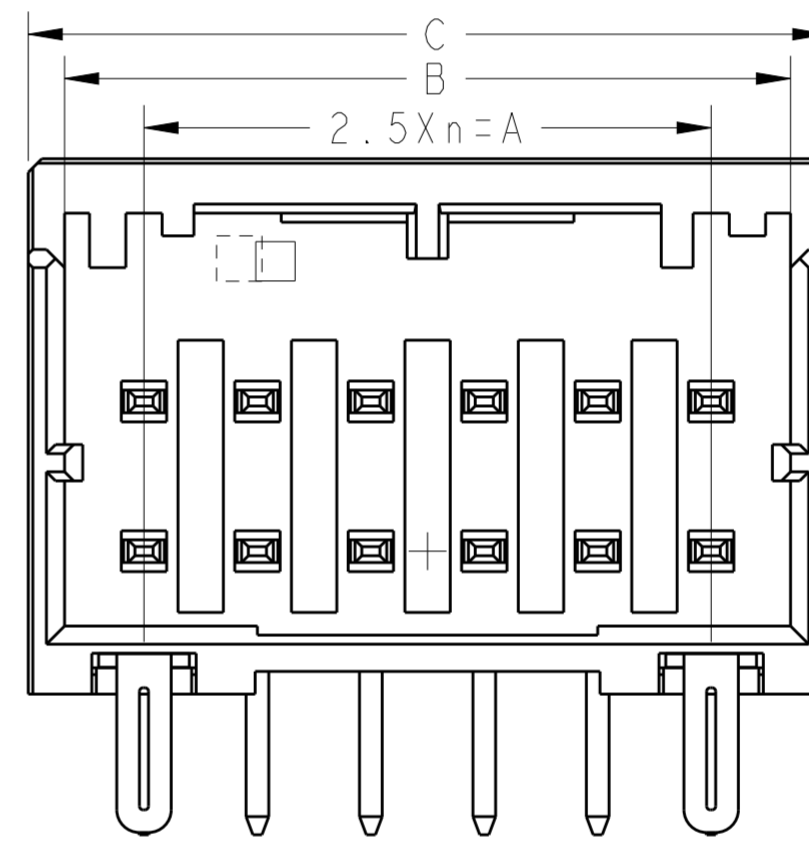
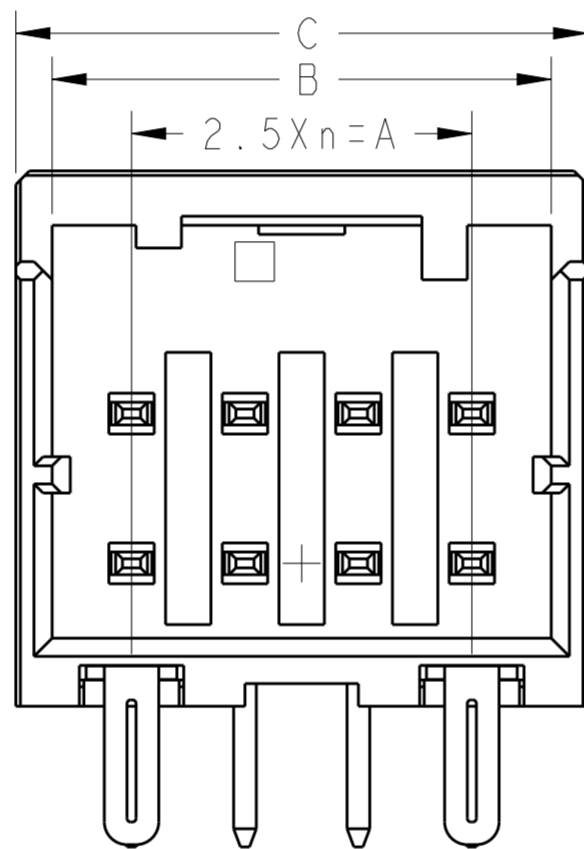
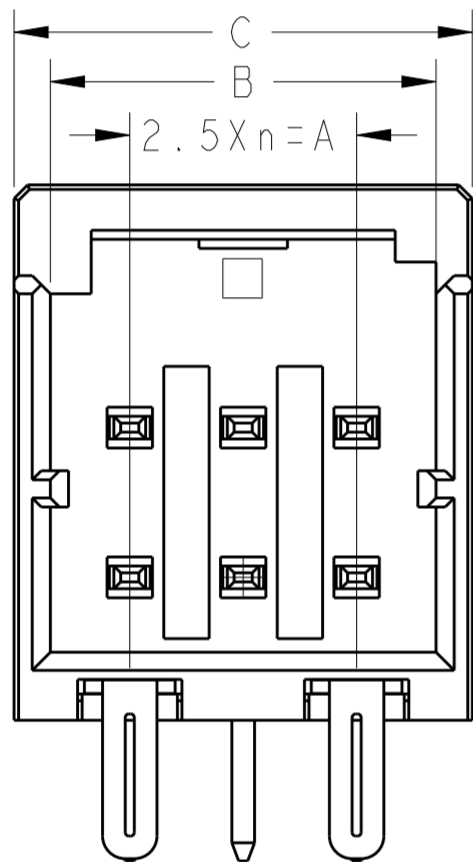
1-1827876-3  
(6POS:X-KEY)



1-1827876-4  
(8POS:X-KEY)



1-1827876-6  
(12POS:X-KEY)



THIS DRAWING IS A CONTROLLED DOCUMENT		DWN T. KUDO	16MAR2005	TE Connectivity	NAME DYNAMIC D1200D 2.5mmPITCH HDR ASSY (H-TYPE) 4-20POS		
DIMENSIONS:		CHK D. MITSUGI	14MAR2005				
mm		APVD D. MITSUGI	14MAR2005				
TOLERANCES UNLESS OTHERWISE SPECIFIED:		PRODUCT SPEC	108-78268				
1.0 PLC	±	APPLICATION SPEC	114-5377	SIZE	CAGE CODE	DRAWING NO	RESTRICTED TO
2.0 PLC	±	MATERIAL		A200779	C-1827876		
3.0 PLC	±	FINISH		SCALE 6:1		SHEET 3 OF 3	REV C2
4.0 PLC	±			CUSTOMER DRAWING			

## X-ON Electronics

Largest Supplier of Electrical and Electronic Components

*Click to view similar products for [Headers & Wire Housings](#) category:*

*Click to view products by [TE Connectivity](#) manufacturer:*

Other Similar products are found below :

[892-18-020-10-001101](#) [58102-G61-06LF](#) [582553-1](#) [0009485154](#) [009176003701906](#) [0050291907](#) [LY20-4P-DT1-P1E-BR](#) [02.125.8002.8](#)  
[609-3404](#) [61062-3](#) [61082-181009](#) [622-3653LF](#) [63453-116](#) [636-1030](#) [636-1427](#) [636-3427](#) [636-4007](#) [641938-9](#) [641991-4](#) [644827-2](#) [65817-](#)  
[010LF](#) [65817-015LF](#) [65863-015LF](#) [66207-023LF](#) [67095-007LF](#) [67601157](#) [68645-018](#) [68648-049](#) [70.362.1628.0](#) [70-4210](#) [70-4226B](#) [70-](#)  
[4853B](#) [707-5020](#) [707-5028](#) [71.350.2428.0](#) [71918-208LF](#) [71961-016LF](#) [733-134](#) [733-162](#) [754199-000](#) [760-3052](#) [787-8014-00](#) [79531-3000](#)  
[FCN-360C032-B](#) [FCN-367T-T012/H](#) [FCN-723D010/2](#) [80.063.4001.1](#) [800-90-001-10-001000](#) [800-90-010-10-002000](#) [801-43-002-10-013000](#)