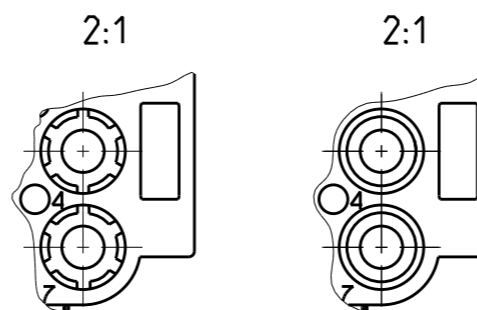
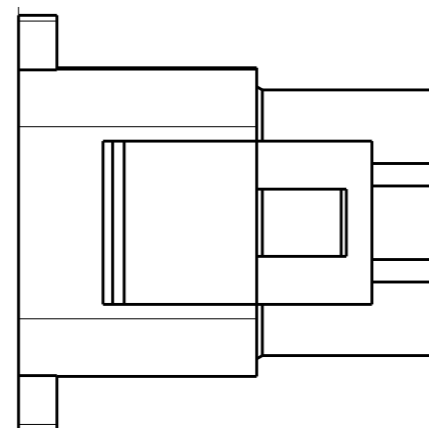
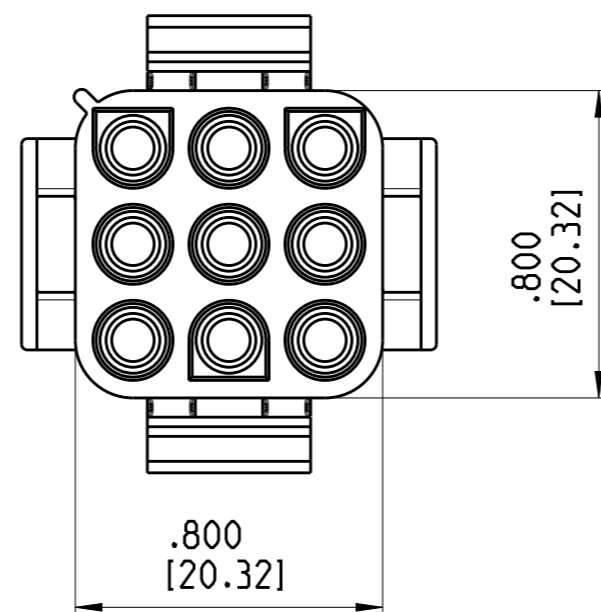
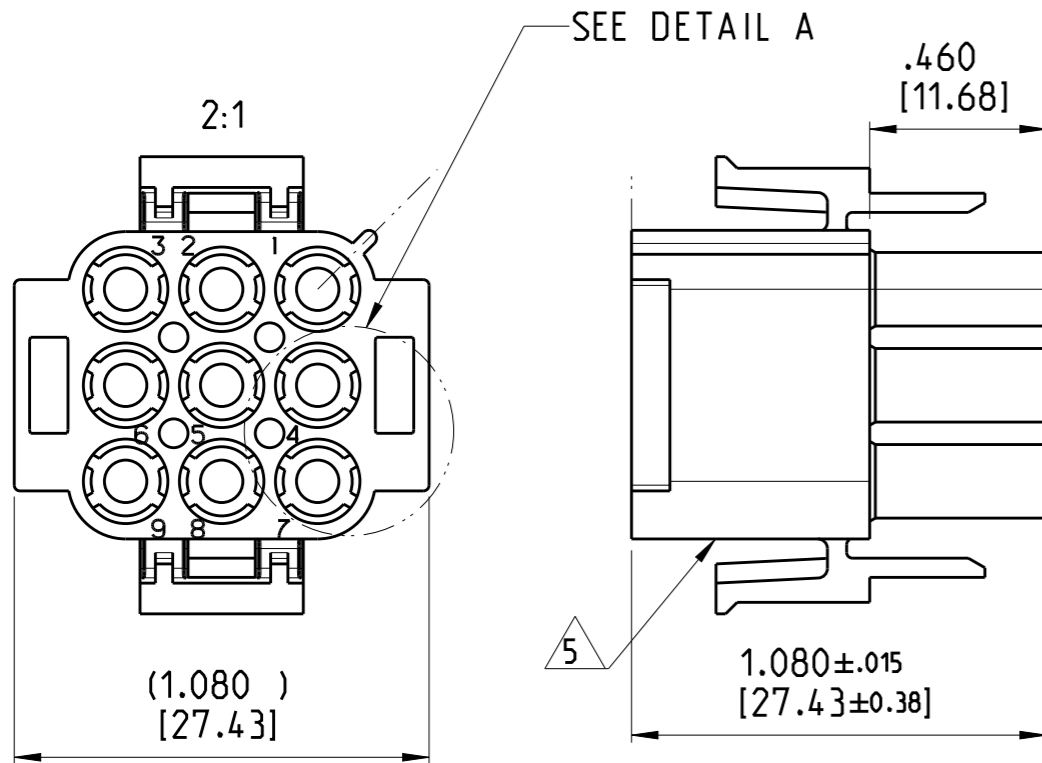


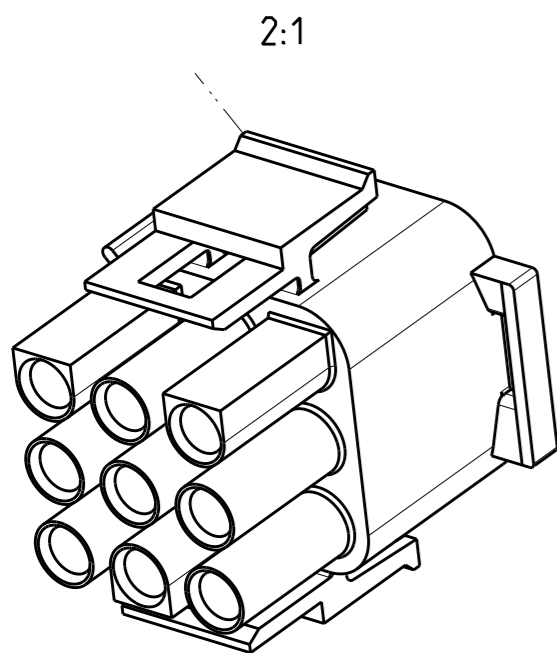
THIS DRAWING IS UNPUBLISHED
 RELEASED FOR PUBLICATION 2009
 ALL RIGHTS RESERVED.

LOC	DIST	REVISIONS					
IR	-	P	LTR	DESCRIPTION	DATE	DWN	APVD
			A5	REVISED PER ECR-17-014951	16OCT2017	BDA	KR




DETAIL A
 OPTIONAL CONSTRUCTION

- MATES WITH APPROPRIATE UNIVERSAL MATE-N-LOCK CAP OR HEADER
- SMALL NICKS ARE PERMITTED ON THE CIRCUIT TOWERS WHICH COULD INCREASE THE INITIAL HOUSING MATING FORCE BY UPTO 4.4N [1.0 LBS]. NO INDIVIDUAL NICKED TOWER SHALL INCREASE THIS FORCE BY OVER 2.2N [.5LBS]
- DIMENSIONS SHOWN REPRESENT PRODUCT IN DRY, AS MOLDED, CONDITION. ADDITIONAL 2% GROWTH DUE TO SUBSEQUENT MOISTURE ABSORPTION MAY OCCUR AND SHOULD BE ACCOUNTED FOR.
- FOUR RIBS EQUALLY SPACED, NO SPECIFIC ORIENTATION, NO RIBS OR SIX RIBS EQUALLY SPACED, NO SPECIFIC ORIENTATION, OPTIONAL
- UNDERWRITERS RECOGNIZED COMPONENT LOGO AND CSA CERTIFICATION LOGO TO BE LOCATED ONCE ON EACH SIDE OF HOUSING
- NYLON, UL94V-2
- MATERIAL CORRESPONDING TO THE REQUIREMENTS OF IEC 60335 (INCL. GLOW WIRE TEST 750°C WITHOUT FLAME)
- PRELIMARY PART NOT RELEASED FOR PRODUCTION



REMARK	COLOUR	MATERIAL	PART No	SL No
7	NATURAL	PA66 UL94-V0 GWT 750 °C	1-1863003-2	3
8	NATURAL	PA6 UL94-V0	1-1863003-1	2
7 6	NATURAL	PA6 UL94-V2	1863003-1	1

THIS DRAWING IS A CONTROLLED DOCUMENT.		DWN J. SALO 29NOV2007	 TE Connectivity		
DIMENSIONS: INCH [mm]		CHK J. LAZARO 29NOV2007			
TOLERANCES UNLESS OTHERWISE SPECIFIED:		APVD L. BATLLO 29NOV2007	NAME PLUG. 9 CIRCUIT UNIVERSAL MATE N LOCK		
0 PLC ±.01 1 PLC ±.01 2 PLC ±0.13 [1.005] 3 PLC ±.01 4 PLC ±.01 ANGLES ±0.5°		PRODUCT SPEC -	RESTRICTED TO		
MATERIAL SEE TABLE		APPLICATION SPEC -	SIZE A3	CAGE CODE 00779	DRAWING NO C-1863003
FINISH -		WEIGHT -	SCALE 1:1 SHEET 1 OF 1 REV A5		
CUSTOMER DRAWING					

X-ON Electronics

Largest Supplier of Electrical and Electronic Components

Click to view similar products for [Pin & Socket Connectors](#) category:

Click to view products by [TE Connectivity](#) manufacturer:

Other Similar products are found below :

[6450822-1](#) [770392-1](#) [794042-1](#) [796885-1](#) [8-794535-1](#) [881459-2](#) [R929993003](#) [1-350779-3](#) [1403611-1](#) [1-480349-5](#) [1586092-1](#) [1586129-1](#)
[1586487-1](#) [1586681-4](#) [1586700-1](#) [1586065-1](#) [1586077-1](#) [1586368-1](#) [1586380-1](#) [1586680-5](#) [1586681-2](#) [1604996-1](#) [16-06-0038](#) [164164-5](#) [1-](#)
[6609930-1](#) [172296-1](#) [1-794714-6](#) [19-09-2035](#) [1969804-1](#) [200503-1](#) [200788-2](#) [201046-7](#) [202648-4](#) [2029076-2](#) [2029090-4](#) [2029095-4](#) [2-](#)
[66102-6](#) [925061-7](#) [926681-1](#) [293734-4](#) [293737-2](#) [1-765362-4](#) [1-794606-3](#) [1871534-1](#) [1969795-1](#) [1969798-1](#) [1969800-1](#) [200833-4](#)
[2008625-2](#) [2029027-2](#)