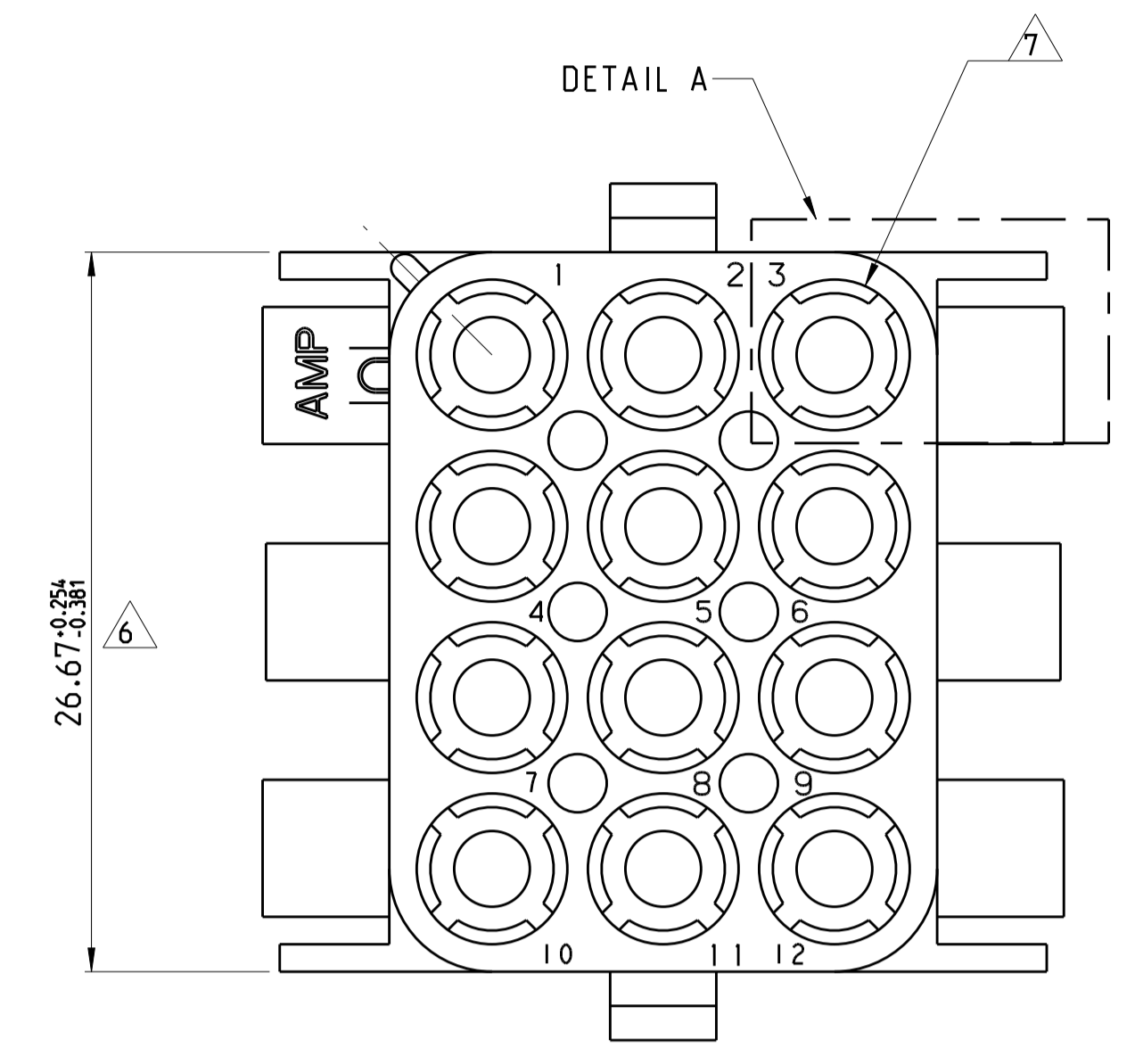
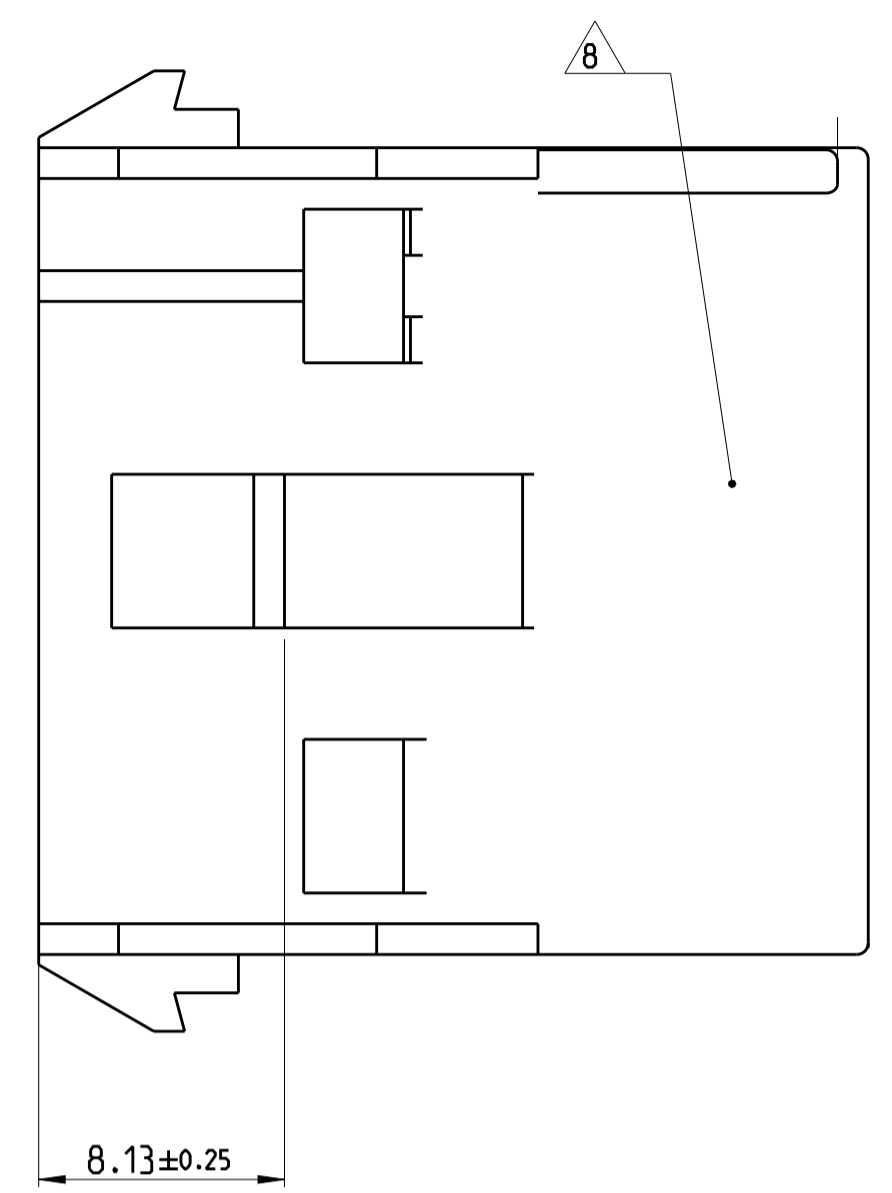
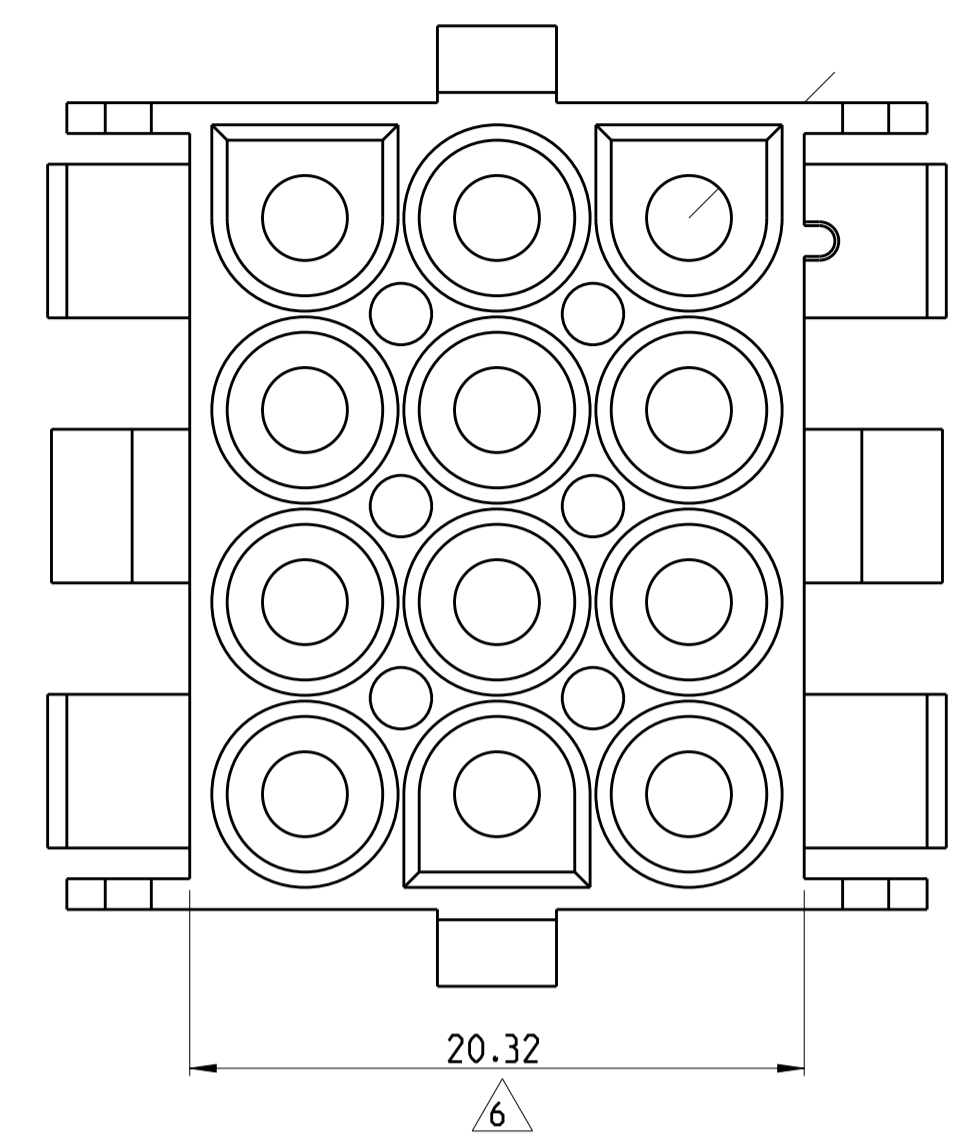
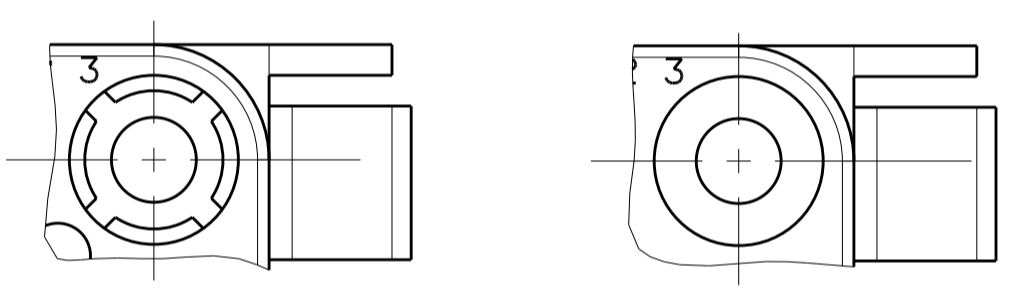


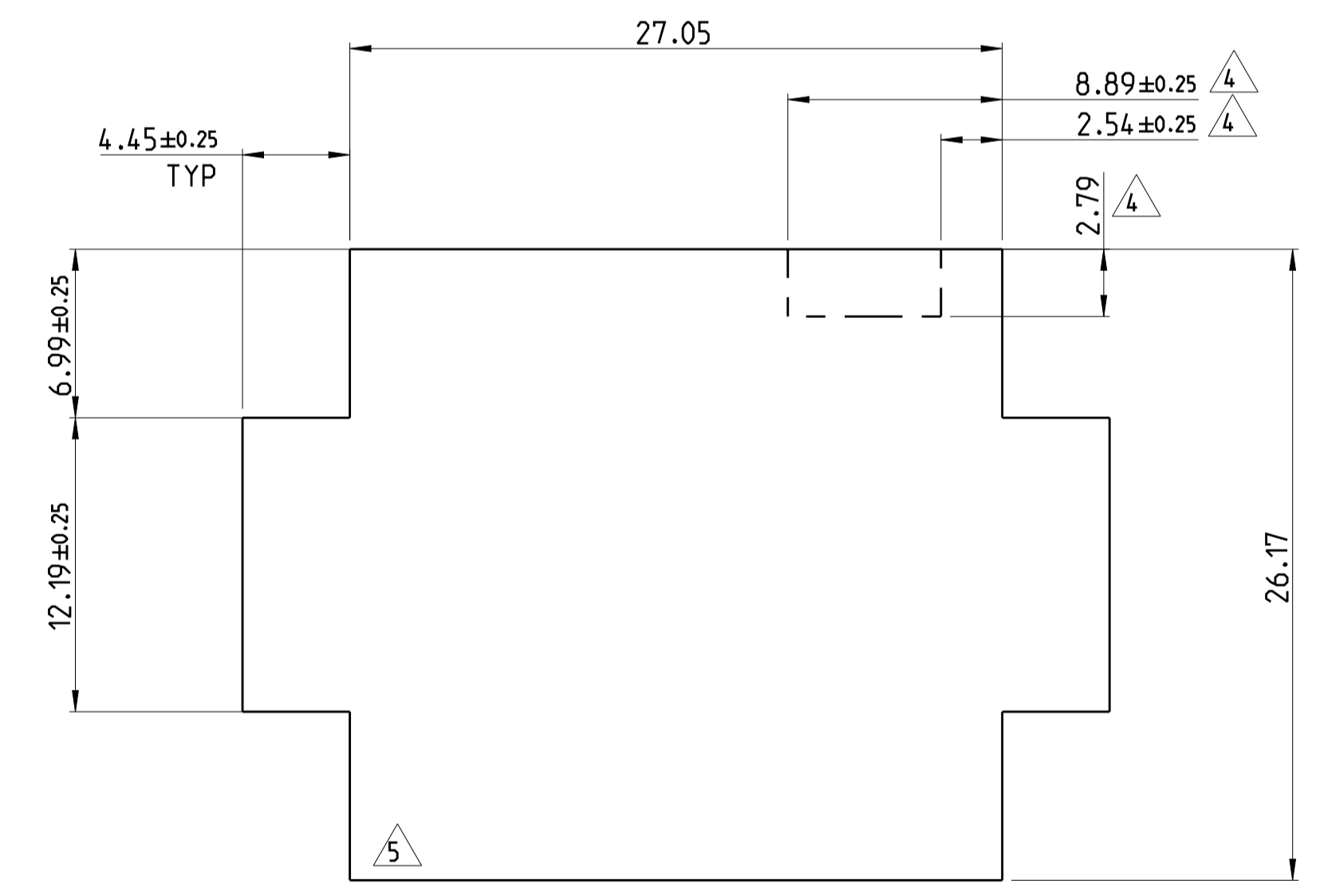
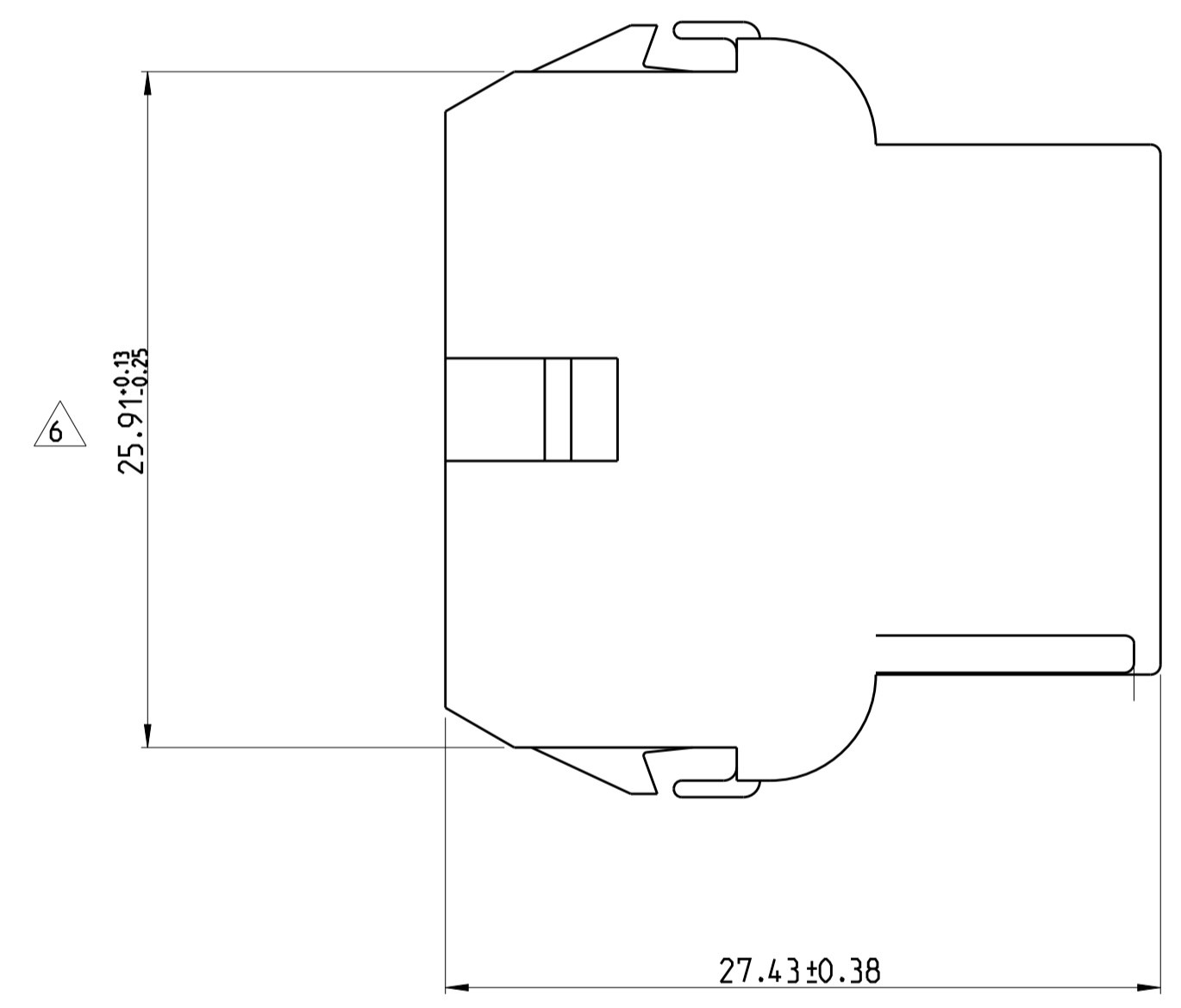
LOC	DIST	REVISIONS					
		P	LTR	DESCRIPTION	DATE	DWN	APVD
A1	-			ECR-13-010044	21JUN2013	MGT	R.P
A2	-			ECR-13-016227	12NOV2013	KKB	R.P
A3	-			ECR-14-002737	24FEB2014	KKB	RRP
A4	-			ECR-17-002907	23OCT2017	JB	DZ



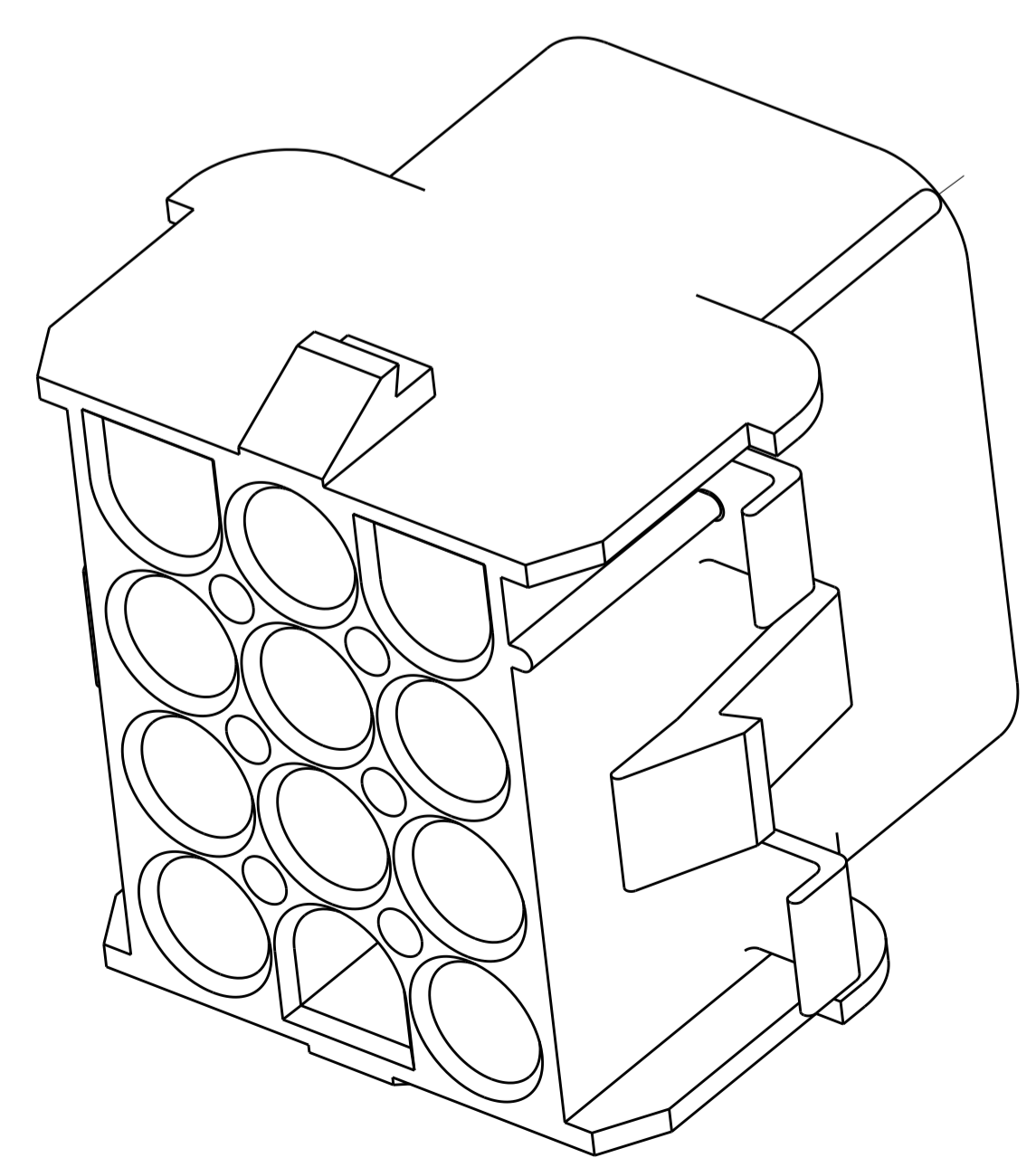
1. MATES WITH APPROPRIATE UNIVERSAL MATE -N-LOK PLUG.
2. RECOMMENDED PANEL THICKNESS 0.76 - 2.29.
3. PANEL MUST BE PUNCHED SA THAT THE HOUSING ENTERS THE PANEL IN THE SAME DIRECTIO AS THE PUNCH.
4. OPTIONAL FOR KEYING HOUSING IN PANEL.
5. CIRCUIT NUMBER 1 LOCATION.
6. DIMENSIONS INDICATED IS AS MOLDED. ADDITIONAL GROWTH DUE TO SUBSEQUENT MOISTURE ABSOPTION MAY OCCUR.
7. FOUR RIBS EQUALLY SPACED. NO SPECIFIC ORIENTATION. NO RIBS OR SIX RIBS EQUALLY SAPCED. NO SPECIFIC ORIENTATION. OPTIONAL.
8. UNDERWRITERS RECOGNIZED COMPONENT LOGO AND CSA CERTIFICATION LOGO TO BE LOCATED ONCE EACH ON SIDE OF HOUSING.
9. MATERIAL CORRESPONDING TO THE REQUIREMENTS OF IEC 60335 (INCL GLOW WIRE TEST 750°C WITHOUT FLAME)
10. PRELIMINARY PART NOT RELEASED FOR PRODUCTION.



DETAIL A
OPTIONAL CONSTRUCTION



RECOMMENDED PANEL CUT OUT



3- DIMENSIONAL MODEL
NTS

MM	IN	MM	IN
6.99	.275	27.43	1.080
4.45	.175	27.05	1.065
2.79	.110	26.67	1.050
2.54	.100	26.16	1.030
2.29	.090	25.91	1.020
0.76	.030	20.32	.800
0.38	.015	12.19	.480
0.25	.010	8.89	.350
0.13	.005	8.13	.320
MM	IN	MM	IN

CONVERSION TABLE

9	NATURAL	PA66 UL-V0 (GW T 750°C)	1-1863006-2
10	NATURAL	PA6 UL-V0	1-1863006-1
9	NATURAL	PA6 UL-V2	1863006-1
REMARK	COLOR	MATERIAL	PART NO

THIS DRAWING IS A CONTROLLED DOCUMENT. DWN: KARTHIK BALAJI 21OCT2013
 CHK: KARTHIK BALAJI 21OCT2013
 APVD: RAJENDRA PAI 21OCT2013

DIMENSIONS: mm
 TOLERANCES UNLESS OTHERWISE SPECIFIED:
 0 PLC ±.13
 1 PLC ±.13
 2 PLC ±.13
 3 PLC ±.13
 4 PLC ±.13
 ANGLES ±.1°
 FINISH -

MATERIAL: PA 6

NAME: CAP. 12 CIRCUIT UNIVERSAL MATE-N-LOK

SIZE: A1 CAGE CODE: 00779 DRAWING NO: 1863006

RESTRICTED TO: -

CUSTOMER DRAWING SCALE: 4:1 SHEET: 1 OF 1 REV: A4

X-ON Electronics

Largest Supplier of Electrical and Electronic Components

Click to view similar products for [Pin & Socket Connectors](#) category:

Click to view products by [TE Connectivity](#) manufacturer:

Other Similar products are found below :

[6450822-1](#) [770392-1](#) [794042-1](#) [796885-1](#) [8-794535-1](#) [PLR3455ACS-222](#) [R929991004](#) [R929993003](#) [1403611-1](#) [1-480349-5](#) [152302-5](#)
[153211-2](#) [1586092-1](#) [1586129-1](#) [1586681-4](#) [1586700-1](#) [1586368-1](#) [1586380-1](#) [1586616-1](#) [1586680-5](#) [16-06-0038](#) [164164-5](#) [1-6609930-1](#)
[172296-1](#) [19-09-2035](#) [200503-1](#) [200788-2](#) [2029090-4](#) [2029095-4](#) [925061-7](#) [293734-4](#) [293737-2](#) [1-765362-4](#) [1871534-1](#) [200833-4](#)
[2008625-2](#) [2029027-2](#) [2029096-4](#) [R929991000](#) [R929991002](#) [R929993000](#) [319-10-101-00-005000](#) [319-10-102-00-001000](#) [319-10-104-00-001000](#) [319-10-105-00-001000](#) [319-10-108-00-001000](#) [319-10-112-00-006000](#) [39-01-8019](#) [319-10-101-00-001000](#) [319-10-102-00-005000](#)