

4

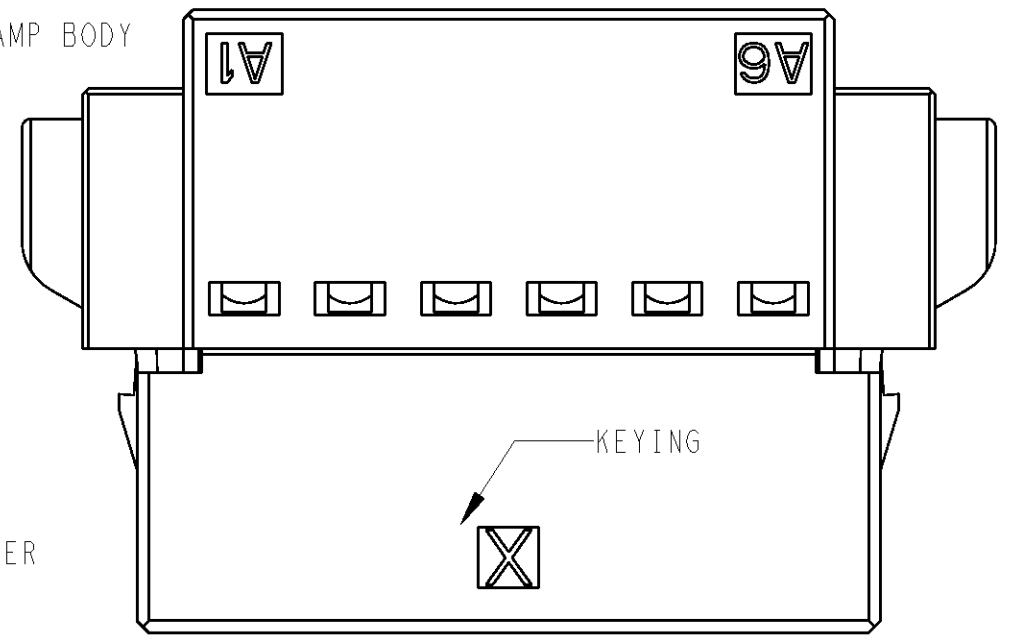
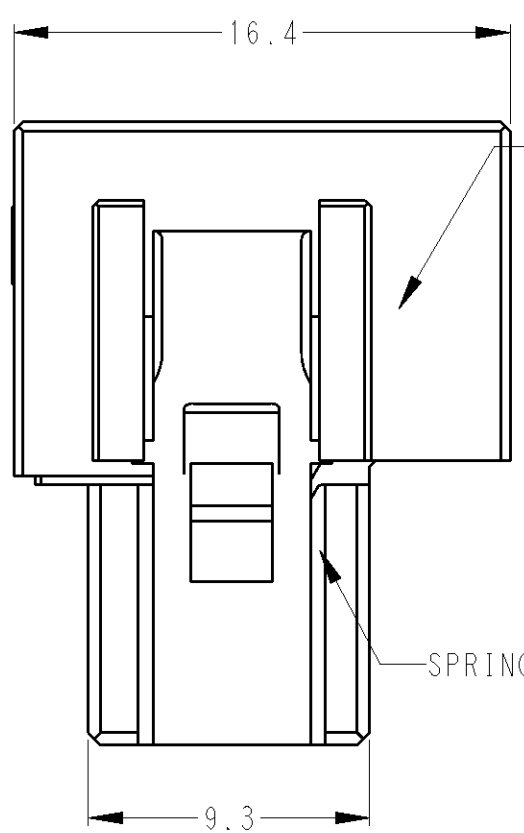
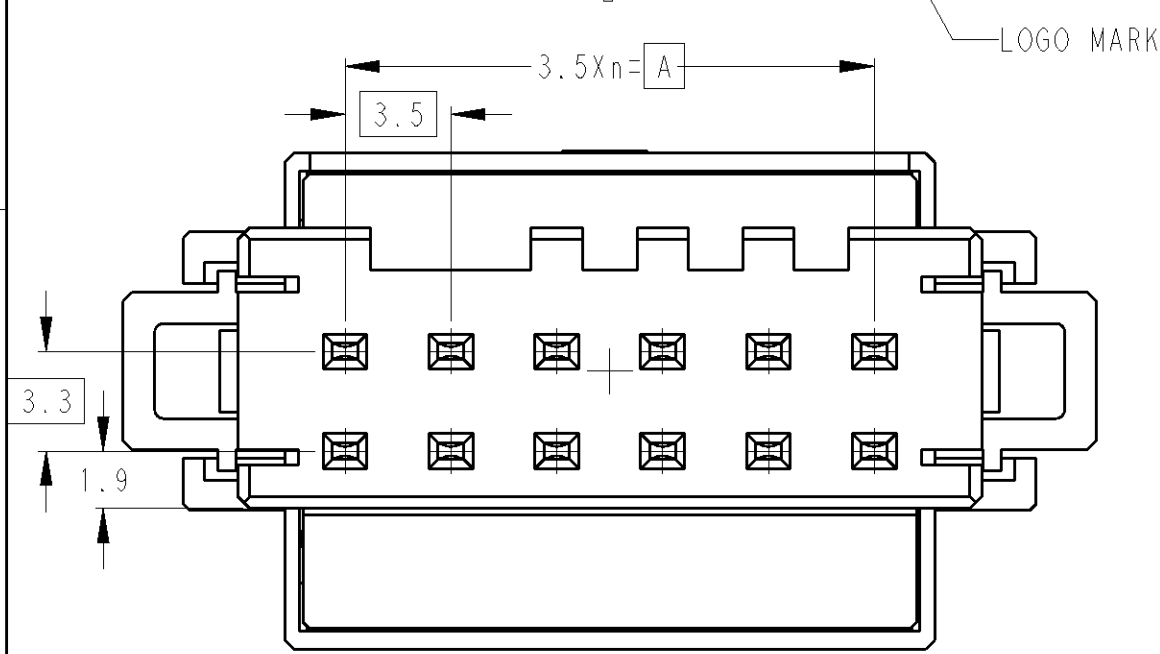
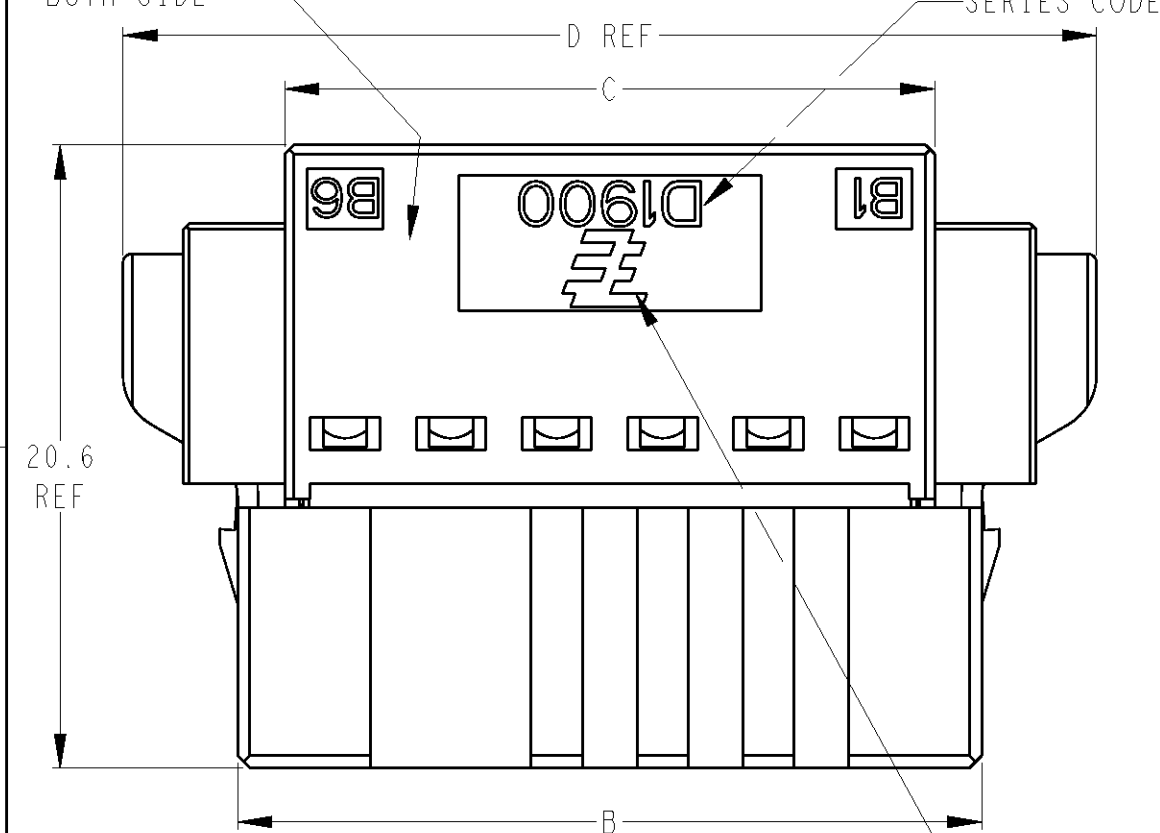
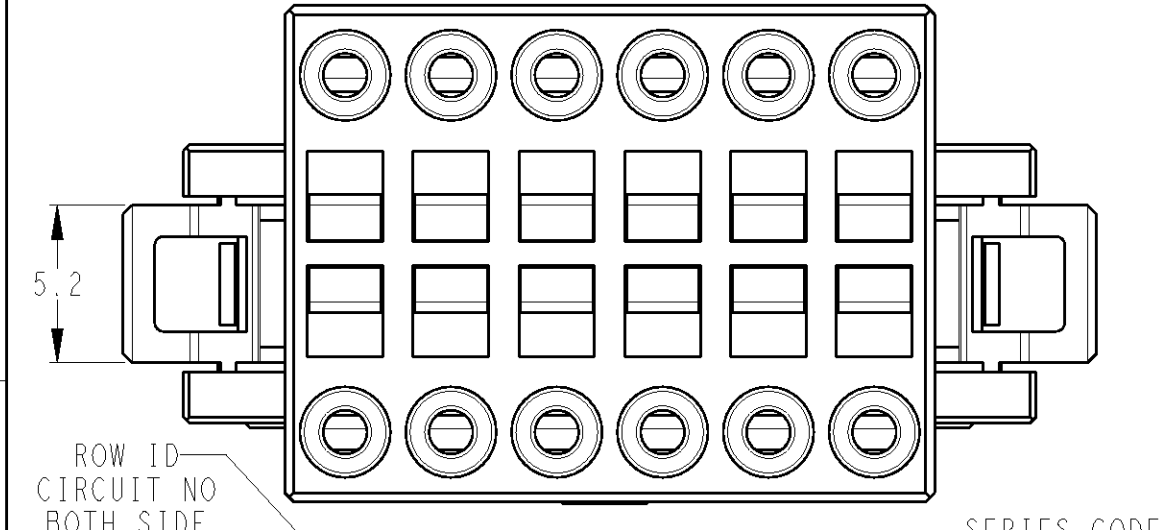
3

2

1

THIS DRAWING IS UNPUBLISHED. RELEASED FOR PUBLICATION 20  
 © COPYRIGHT 20 BY Tyco Electronics Japan G.K. ALL RIGHTS RESERVED.

LOC	DIST	REVISIONS				
P	LTR	DESCRIPTION	DATE	DWN	APVD	
J	-	B	REVISED PER ECR-10-013244	10JUL2010	HMR	TM
		C	REVISED	27JUN2011	M.M	N.Y



- 1. MATERIAL: HOUSING: GLASS FILED THERMO PLASTIC POLYESTER(94V-0), COLOR: BLACK  
CONTACT: COPPER ALLOY  
SPRING: STAINLESS STEEL
- 2. FINISH(ALL OVER): NICKEL PL. 1.27μmMIN
- 3. FINISH(CONTACT AREA): GOLD PL. 0.3μmMIN AFTER 2.

38	18	63.0	70.1	67.0	77.7	REC ASSY:2-1871940-9
30	14	49.0	56.1	53.0	63.7	REC ASSY:2-1871940-5
22	10	35.0	42.1	39.0	49.7	REC ASSY:2-1871940-1
16	7	24.5	31.6	28.5	39.2	REC ASSY:1-1871940-8
12	5	17.5	24.6	21.5	32.2	REC ASSY:1-1871940-6
8	3	10.5	17.6	14.5	25.2	REC ASSY:1-1871940-4
POS.	n	A	B	C	D	PART No.

THIS DRAWING IS A CONTROLLED DOCUMENT.

DWN: S. TAKADA 09APR2007  
 CHK: J. AKASAKA 09APR2007  
 APVD: J. AKASAKA 09APR2007

**STE** TE Connectivity

NAME: DYNAMIC D1900D 3.5mm PITCH REC ASSY (SPRING CLAMP TYPE) 8-38POS

PRODUCT SPEC: 108-78336  
 APPLICATION SPEC: -  
 WEIGHT: -

SIZE: A3 CAGE CODE: 00779 DRAWING NO: C=1871940 RESTRICTED TO: -

CUSTOMER DRAWING SCALE: 4:1 SHEET: 1 OF 1 REV: C

## X-ON Electronics

Largest Supplier of Electrical and Electronic Components

*Click to view similar products for [Headers & Wire Housings](#) category:*

*Click to view products by [TE Connectivity](#) manufacturer:*

Other Similar products are found below :

[892-18-020-10-001101](#) [58102-G61-06LF](#) [582553-1](#) [0009485154](#) [009176003701906](#) [0050291907](#) [LY20-4P-DT1-P1E-BR](#) [02.125.8002.8](#)  
[609-3404](#) [61062-3](#) [61082-181009](#) [622-3653LF](#) [63453-116](#) [636-1030](#) [636-1427](#) [636-3427](#) [636-4007](#) [641938-9](#) [641991-4](#) [644827-2](#) [65817-](#)  
[010LF](#) [65817-015LF](#) [65863-015LF](#) [66207-023LF](#) [67095-007LF](#) [67601157](#) [68645-018](#) [68648-049](#) [70.362.1628.0](#) [70-4210](#) [70-4226B](#) [70-](#)  
[4853B](#) [707-5020](#) [707-5028](#) [71.350.2428.0](#) [71918-208LF](#) [71961-016LF](#) [733-134](#) [733-162](#) [754199-000](#) [760-3052](#) [787-8014-00](#) [79531-3000](#)  
[FCN-360C032-B](#) [FCN-367T-T012/H](#) [FCN-723D010/2](#) [80.063.4001.1](#) [800-90-001-10-001000](#) [800-90-010-10-002000](#) [801-43-002-10-013000](#)