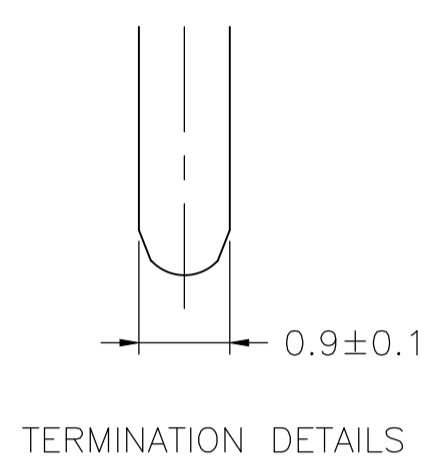
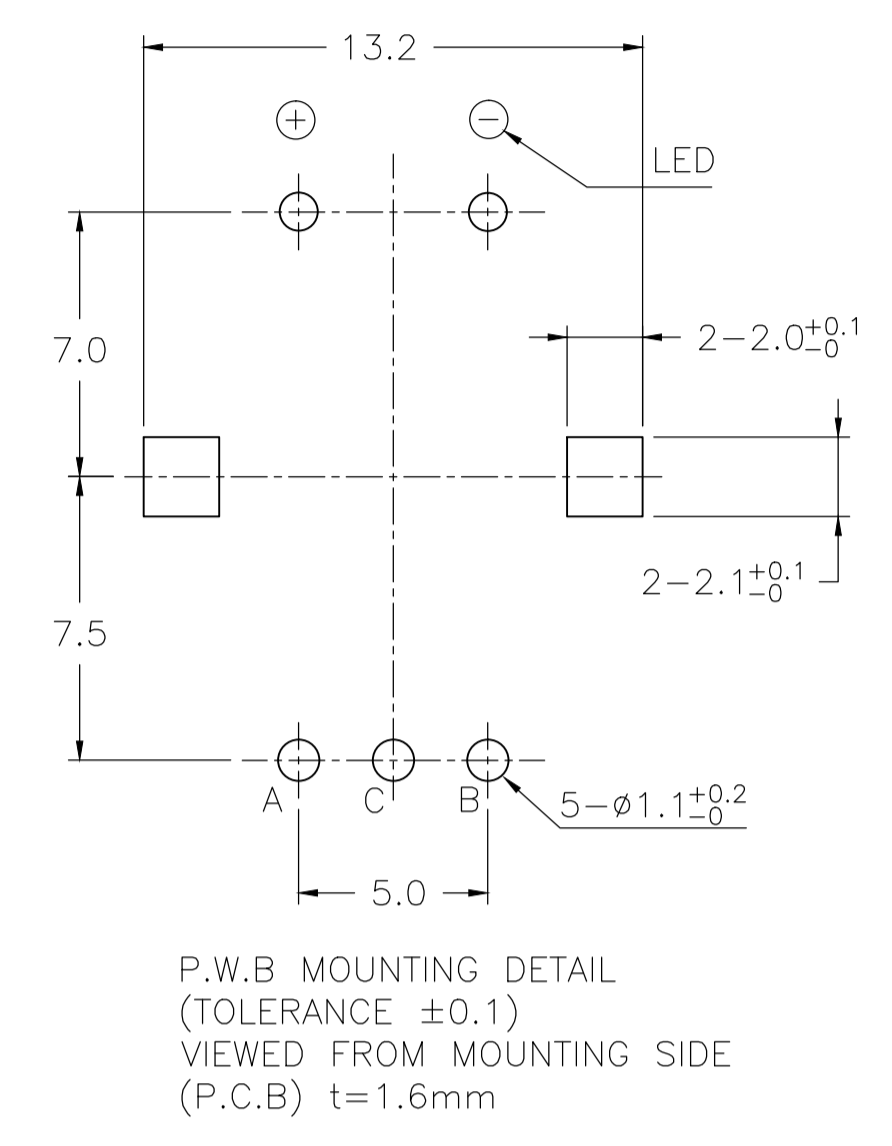
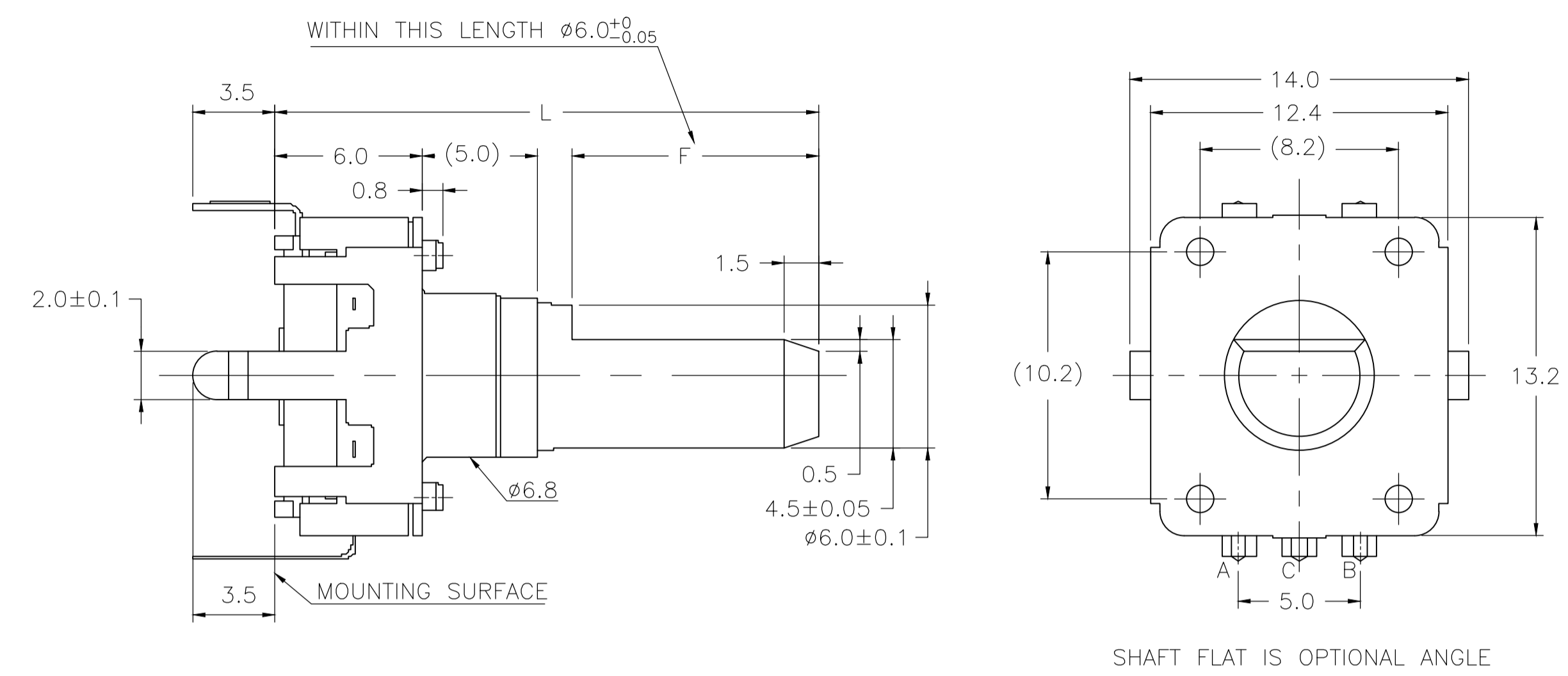


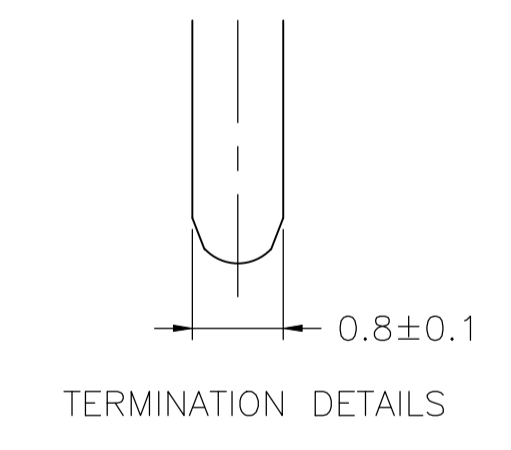
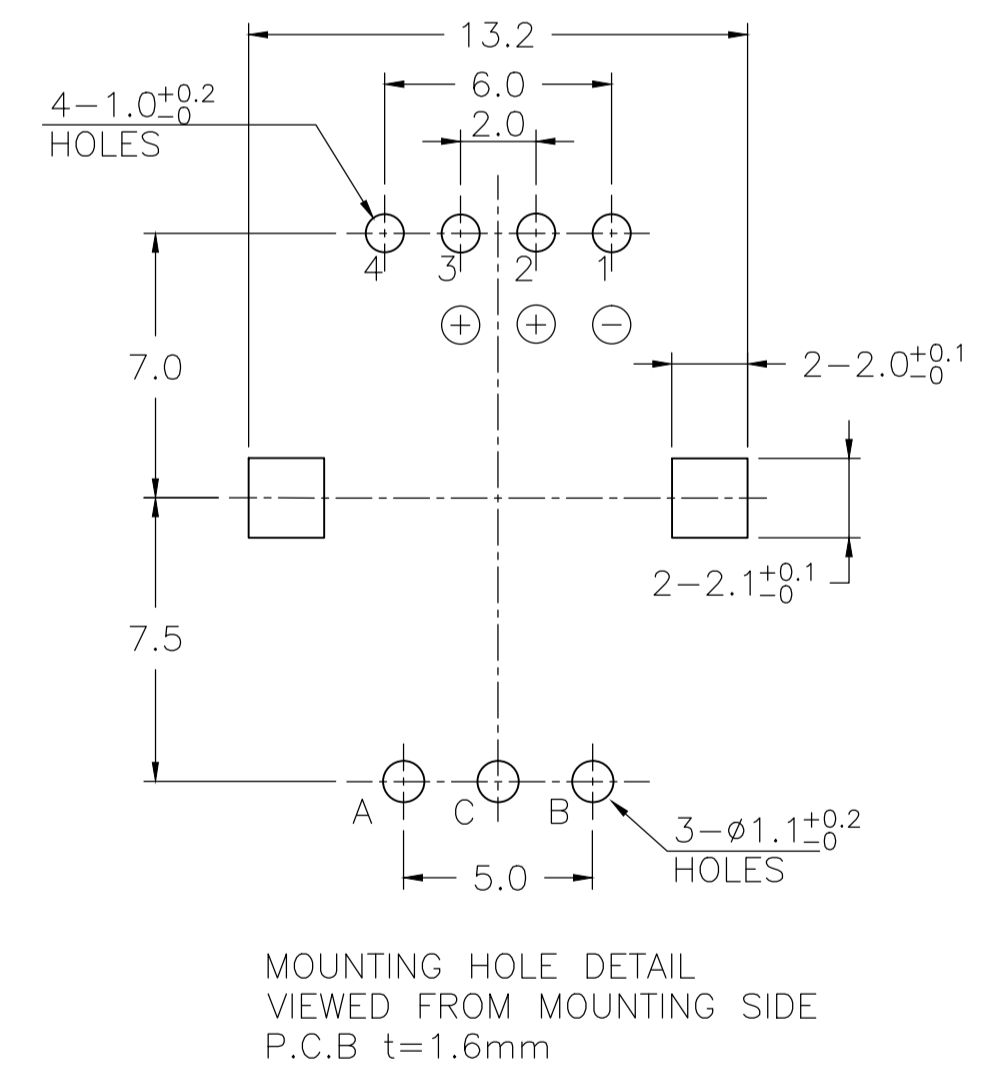
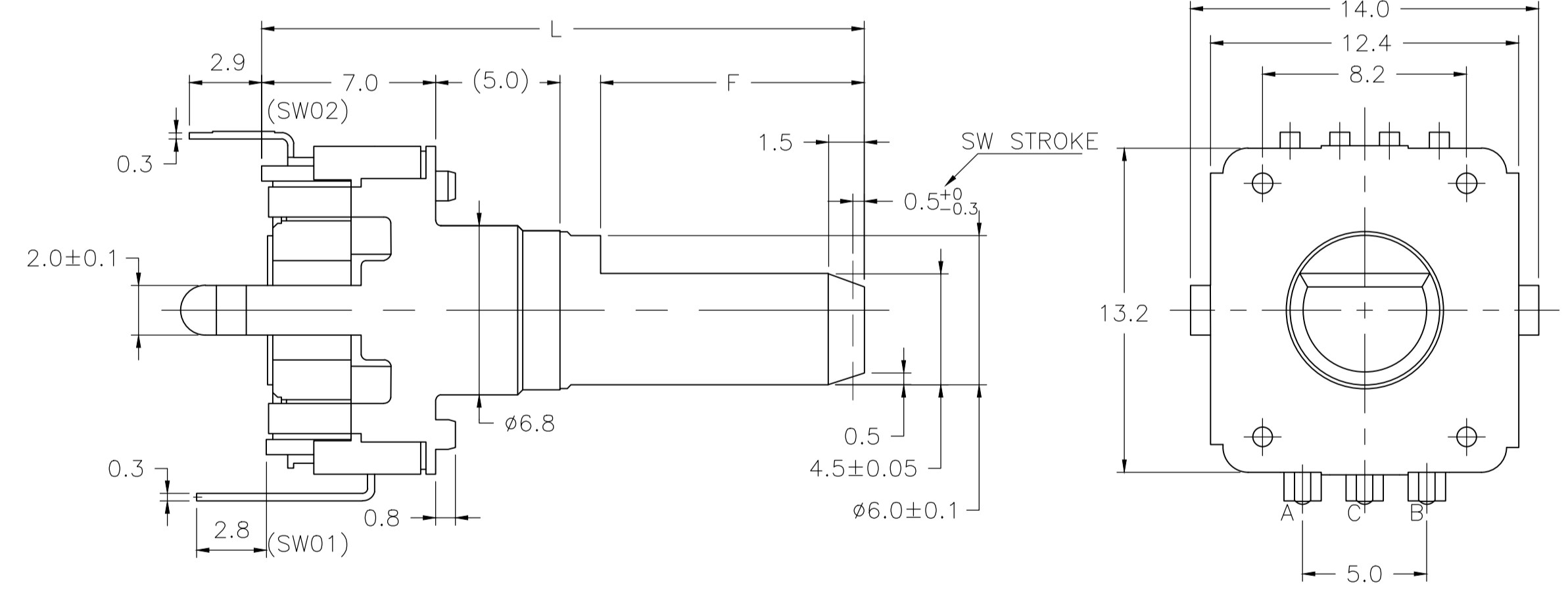
REVISIONS					
P	LTR	DESCRIPTION	DATE	DMN	APVD
BB	REVISED PER	ECR-16-016788	30NOV2016	RK	TN

1 FOR FURTHER INFORMATION SEE DATA SHEET FOR 12mm ROTARY ENCODER.

**DIMENSION-DPL12V**



**DIMENSION-DPL12SV**



**LED COLOUR MASTER GRID DPL12**  
**LED COLOR CODES**

SWITCH OPTION	CODE	DESCRIPTION
SWITCH (DUAL COLOR)	1	BLUE/GREEN
	2	BLUE/ORANGE
	3	GREEN/RED
	4	RED/GREEN
	5	GREEN/ORANGE
	6	BLUE/RED
	7	WHITE/RED
	8	WHITE/GREEN
NO SWITCH (SINGLE COLOR)	R	RED
	L	LAWN GREEN
	B	BLUE
	O	ORANGE
	W	WHITE
	G	GREEN
D	DARK ORANGE	

**SHAFT LENGTH MASTER GRID DPL12**  
**SHAFT LENGTH - WITHOUT SWITCH**

TYPE	DIM	OPTIONS (MM)
K	L (FROM MOUNTING SURFACE)	24 ONLY
F	L (FROM MOUNTING SURFACE)	17.5 20 25
	F	5 7 12

**SHAFT LENGTH - WITH SWITCH**

TYPE	DIM	OPTIONS (MM)
K	L (FROM MOUNTING SURFACE)	25 ONLY
F	L (FROM MOUNTING SURFACE)	18.5 21 26
	F	5 7 12

TOLERANCES	
L ≤ 10	±0.3
10 < L ≤ 100	±0.5
100 < L	±0.8

THIS DRAWING IS A CONTROLLED DOCUMENT.

DIMENSIONS: mm	TOLERANCES UNLESS OTHERWISE SPECIFIED:	0 PLC ± -	1 PLC ± -	2 PLC ± -	3 PLC ± -	4 PLC ± -	ANGLES ± 5°
----------------	--	-----------	-----------	-----------	-----------	-----------	-------------

MATERIAL	FINISH	WEIGHT	SCALE	SHEET	REV
-	-	A1 00779	NTS	1 OF 1	BB

**STE** TE Connectivity

12MM ROTARY ENCODER WITH LED VERTICAL SERIES DPL12V AND DPL12VS

CUSTOMER DRAWING

## X-ON Electronics

Largest Supplier of Electrical and Electronic Components

*Click to view similar products for [Encoders](#) category:*

*Click to view products by [TE Connectivity](#) manufacturer:*

Other Similar products are found below :

[6-1393048-5](#) [62AG22-H5-P](#) [62B22-LP-030C](#) [62D22-02-P](#) [62R22-01-040S](#) [63K25](#) [63K32](#) [63KS100](#) [63KS64](#) [63R100](#) [63R50-020](#) [63RS256-060](#) [700-09-36](#) [E6C2-CWZ6C-10 500P/R 5M](#) [E6C3-CWZ5GH 1000P/R 2M](#) [25LB22-G-Z](#) [T101-5C2-111-M1](#) [T101-5C3-111-M1](#) [T101-5C4-111-M1](#) [25LB45-Q-Z](#) [HEDS-8905](#) [385001M0439](#) [385001M0216](#) [DPL12SV2424A25K3](#) [E69-1](#) [E69-DF15](#) [E69-FBA-02](#) [E69-FCA](#) [E6B2-CWZ1X 2000P/R 0.5M](#) [E6B2-CWZ3E 600P/R 0.5M](#) [E6C3-CWZ3EH 800P/R 2M](#) [ENA1D-472-L00050L](#) [61S64-2](#) [62B11-LP-100S](#) [62B11-LPP-P](#) [62C1111-02-020C](#) [62N11-P](#) [62S22-H9-120S](#) [62S30-L0-200C](#) [62V15-02-080S](#) [62V22-02-030C](#) [632911-128](#) [63K64](#) [63KS100-040](#) [63R64-050](#) [63RS256](#) [63RS64](#) [700-16-16](#) [3-1393048-1](#) [63KS128](#)