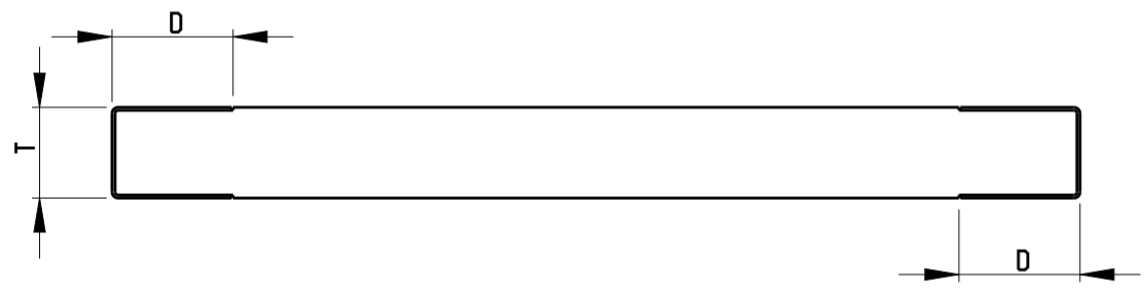
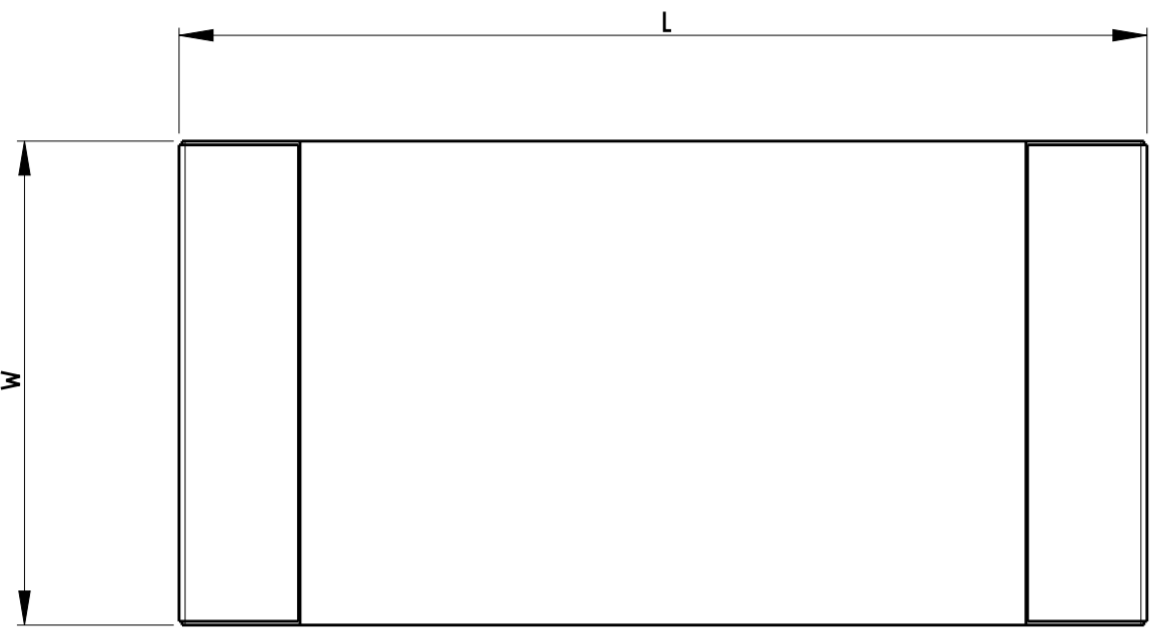


THIS DRAWING IS UNPUBLISHED. RELEASED FOR PUBLICATION 2008. ALL RIGHTS RESERVED. COPYRIGHT 2008

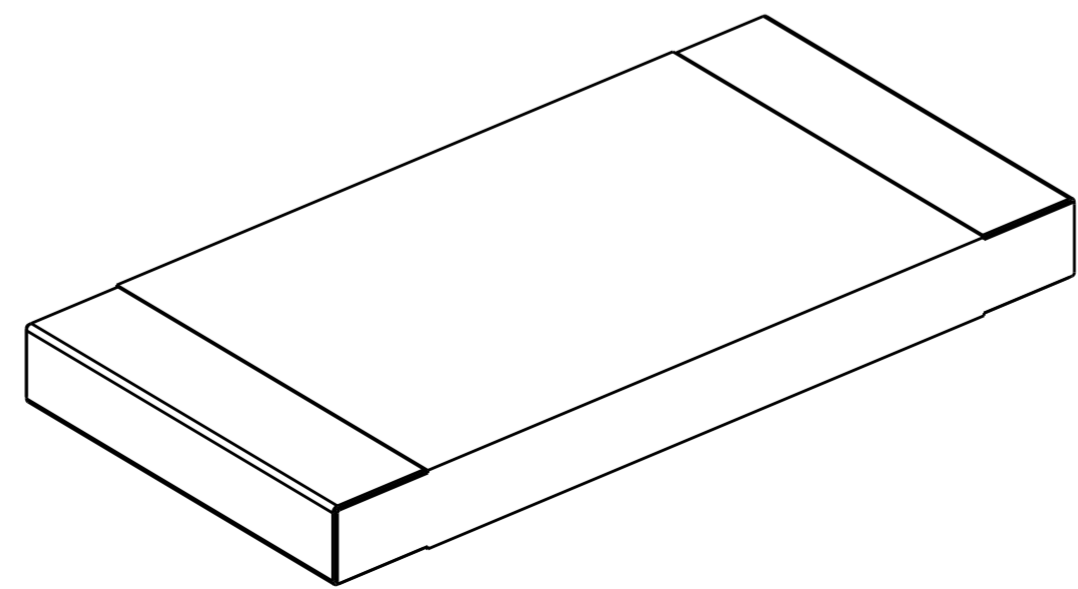
Table with 5 columns: P, LTR, DESCRIPTION, DATE, DWN, APVD. Contains revision history from BA1 to BA4.

FOR FURTHER INFORMATION SEE DATA SHEET FOR TLR SERIES-SMD HIGH POWER CURRENT SENSE RESISTORS



RoHS Compliant

Main table listing resistor specifications including Complete TIN, Product Number, Material Description, L, W, T, D, and Weight / 1000. Includes 'SUPERSEDED BY' and 'OBSOLETE' callouts.



Controlled document header and footer containing dimensions, tolerances, material, and drawing information. Includes STC logo and drawing title 'SMD HIGH POWER - CURRENT SENSE RESISTORS, SERIES TLR - 3A'.

X-ON Electronics

Largest Supplier of Electrical and Electronic Components

Click to view similar products for [Encoders](#) category:

Click to view products by [TE Connectivity](#) manufacturer:

Other Similar products are found below :

[6-1393048-5](#) [62AG22-H5-P](#) [62B22-LP-030C](#) [62D22-02-P](#) [62R22-01-040S](#) [63K25](#) [63K32](#) [63KS100](#) [63KS64](#) [63R100](#) [63R50-020](#) [63RS256-060](#) [700-09-36](#) [E6C2-CWZ6C-10 500P/R 5M](#) [E6C3-CWZ5GH 1000P/R 2M](#) [25LB22-G-Z](#) [T101-5C2-111-M1](#) [T101-5C3-111-M1](#) [T101-5C4-111-M1](#) [25LB45-Q-Z](#) [HEDS-8905](#) [385001M0439](#) [385001M0216](#) [DPL12SV2424A25K3](#) [E69-1](#) [E69-DF15](#) [E69-FBA-02](#) [E69-FCA](#) [E6B2-CWZ1X 2000P/R 0.5M](#) [E6B2-CWZ3E 600P/R 0.5M](#) [E6C3-CWZ3EH 800P/R 2M](#) [ENA1D-472-L00050L](#) [61S64-2](#) [62B11-LP-100S](#) [62B11-LPP-P](#) [62C1111-02-020C](#) [62N11-P](#) [62S22-H9-120S](#) [62S30-L0-200C](#) [62V15-02-080S](#) [62V22-02-030C](#) [632911-128](#) [63K64](#) [63KS100-040](#) [63R64-050](#) [63RS256](#) [63RS64](#) [700-16-16](#) [3-1393048-1](#) [63KS128](#)