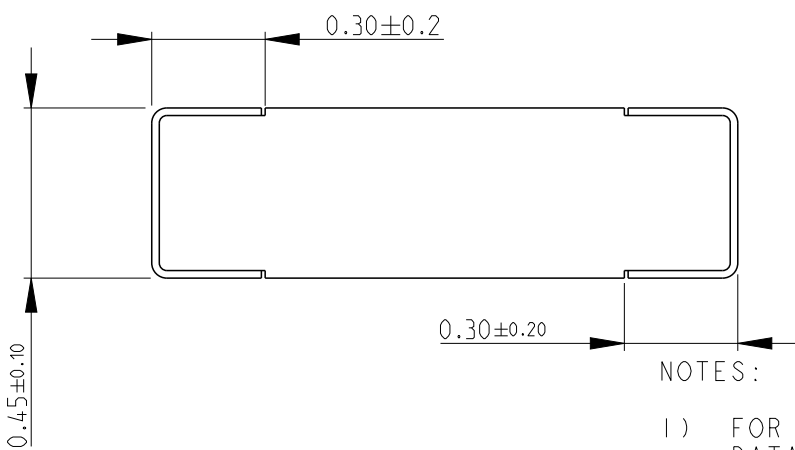
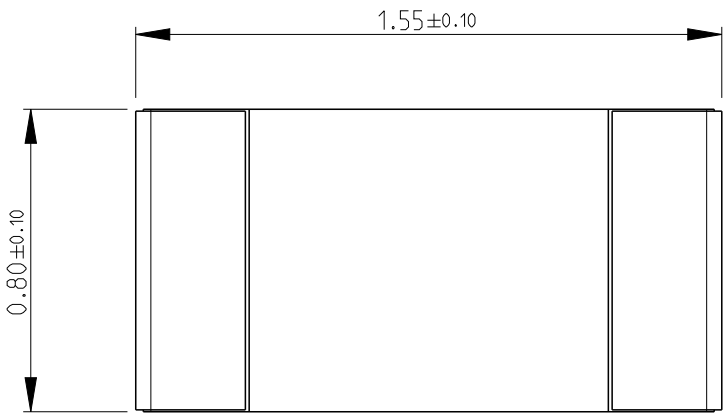


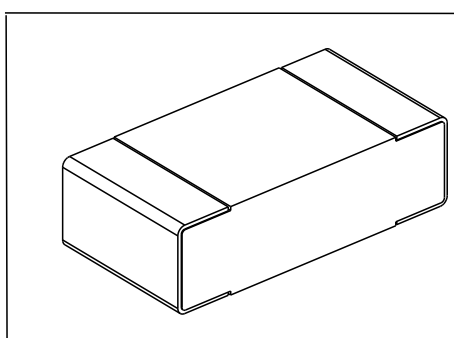
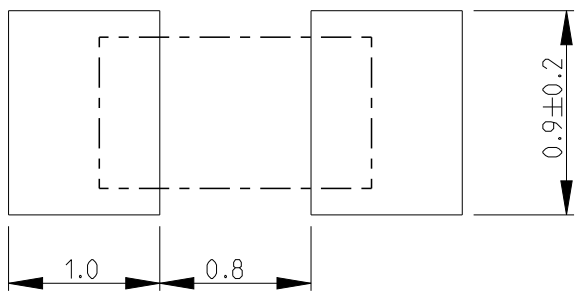
REVISIONS					
P	LTR	DESCRIPTION	DATE	DWN	APVD
	BB	NEW RELEASE	07FEB2015	KR	TN



NOTES:

- 1) FOR FURTHER INFORMATION SEE DATA SHEET FOR RN73 SERIES-HIGH PRECISION RESISTORS (SMD)
- 2) 250 PIECE REEL PACKING SPEC. NO LONGER AVAILABLE

RECOMMENDED LAND PATTERN



2010  
 RELEASED FOR PUBLICATION  
 ALL RIGHTS RESERVED.  
 THIS DRAWING IS UNPUBLISHED.  
 BY -  
 © COPYRIGHT 2010

DIMENSIONS:		DWN	07FEB2015	MATERIAL	FINISH	
mm		RAGHAVENDRA K		-	-	
TOLERANCES UNLESS OTHERWISE SPECIFIED:		CHK	07FEB2015	TE Connectivity		
0 PLC ±0.2		ALLAN.P				
1 PLC ±0.1		APVD	07FEB2015	NAME HIGH PRECISION RESISTORS TYPE RP73 1J SERIES		
2 PLC ±		TONY N				
3 PLC ±		PRODUCT SPEC	-	SIZE	CAGE CODE	DRAWING NO
4 PLC ±		APPLICATION SPEC	-	A 4	00779	©=1879746
ANGLES ±5°		WEIGHT	-	RESTRICTED TO		-
		Customer Drawing		SCALE	SHEET	REV
				50:1	1 OF 1	BB

## X-ON Electronics

Largest Supplier of Electrical and Electronic Components

*Click to view similar products for [Thin Film Resistors - Through Hole](#) category:*

*Click to view products by [TE Connectivity](#) manufacturer:*

Other Similar products are found below :

[RESISTOR-0125-A](#) [MBA02040C3249FC100](#) [MBB02070C3011FC100](#) [MRS16000C2200FCT00](#) [MRS16000C1501FCT00](#)  
[MRS16000C6803FCT00](#) [MRS16000C2703FCT00](#) [MRS16000C4703FCT00](#) [MBA02040C1209FCT00](#) [MBA02040C2701FCT00](#)  
[MBA02040C3301FCT00](#) [MBA02040C3901FCT00](#) [MBA02040C5600FCT00](#) [MBA02040C6809FC100](#) [MBB02070D9312BCT00](#)  
[MBA02040C1008FCT00](#) [MBA02040C1200FCT00](#) [MBA02040C2202FCT00](#) [MBA02040C4754FRP00](#) [MBA02040C6041FRP00](#)  
[MBB02070C1821FRP00](#) [MBB0207IC1001FCT00](#) [MFP1-10RJI](#) [MFP2-100KJI](#) [MFR4-1K0FI](#) [MFR4-220RFI](#) [MFR4-33RFI](#) [BPC5563K](#)  
[BPR5473J](#) [W21-1R2JI](#) [W31-R056JA1](#) [WR404140A6803J4100](#) [MFR3-47KFC](#) [MFR4-1R0FI](#) [MFR4-390RFI](#) [MRS25000C2373FC100](#)  
[CF18JT47K0](#) [MRS25000C1051FC100](#) [MFR5-15RFI](#) [MBB0207VD1004BC100](#) [BPC10203J](#) [RSF12JT150R](#) [RC14JT39K0](#)  
[MBA02040C6980FC100](#) [MRS25000C2002FC100](#) [MRS25000C8200FC100](#) [MBA02040C1878FC100](#) [MBE04140C1200FC100](#)  
[MBA02040C1600FC100](#) [MBA02040C7508FC100](#)