

4

3

2

1

THIS DRAWING IS UNPUBLISHED.

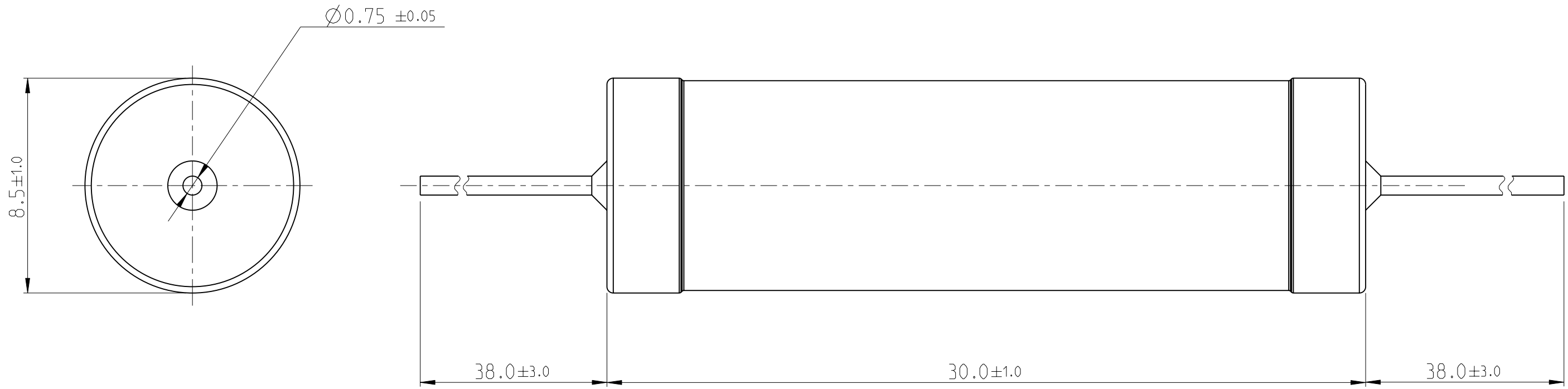
RELEASED FOR PUBLICATION

2011

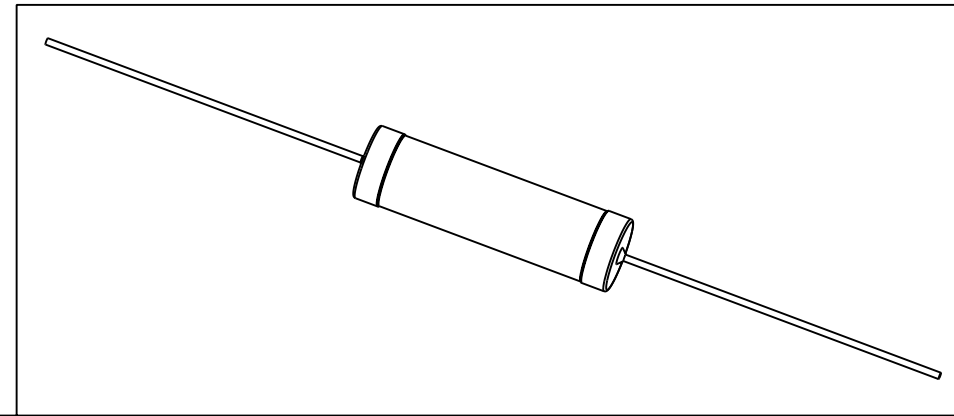
© COPYRIGHT 2011


ALL RIGHTS RESERVED.

LOC	DIST	REVISIONS			
P	LTR	DESCRIPTION	DATE	DWN	APVD
AI	-	BA	NEW DRAWING	16MAR2012	DMS ST.P



FOR FUTURE INFORMATION SEE DATA SHEET FOR
WIREWOUND ANTI-SURGE RESISTOR - EP SERIES



THIS DRAWING IS A CONTROLLED DOCUMENT.		DWN DARSHAN.MS 16MAR2012	 TE Connectivity	
DIMENSIONS: mm		CHK ALLAN.P 16MAR2012		
TOLERANCES UNLESS OTHERWISE SPECIFIED:		APVD STEPHEN.P 16MAR2012	NAME WIREWOUND ANTI-SURGE RESISTOR - TYPE EP 7W	
0 PLC ±- 1 PLC ±- 2 PLC ±- 3 PLC ±- 4 PLC ±- ANGLES ±1°		PRODUCT SPEC -	RESTRICTED TO -	
MATERIAL -		FINISH -	APPLICATION SPEC -	SIZE A3
		WEIGHT 6.487 Gram	CAGE CODE 00779	DRAWING NO C-1879927
		CUSTOMER DRAWING	SCALE 1:1	SHEET 1 OF 1
			REV BA	

X-ON Electronics

Largest Supplier of Electrical and Electronic Components

Click to view similar products for [Thin Film Resistors - Through Hole](#) category:

Click to view products by [TE Connectivity](#) manufacturer:

Other Similar products are found below :

[RESISTOR-0125-A](#) [MBA02040C3249FC100](#) [MBB02070C3011FC100](#) [MRS16000C2200FCT00](#) [MRS16000C1501FCT00](#)
[MRS16000C6803FCT00](#) [MRS16000C2703FCT00](#) [MRS16000C4703FCT00](#) [MBA02040C1209FCT00](#) [MBA02040C2701FCT00](#)
[MBA02040C3301FCT00](#) [MBA02040C3901FCT00](#) [MBA02040C5600FCT00](#) [MBA02040C6809FC100](#) [MBB02070D9312BCT00](#)
[MBA02040C1008FCT00](#) [MBA02040C1200FCT00](#) [MBA02040C2202FCT00](#) [MBA02040C4754FRP00](#) [MBA02040C6041FRP00](#)
[MBB02070C1821FRP00](#) [MBB0207IC1001FCT00](#) [MFP1-10RJI](#) [MFP2-100KJI](#) [MFR4-1K0FI](#) [MFR4-220RFI](#) [MFR4-33RFI](#) [BPC5563K](#)
[BPR5473J](#) [W21-1R2JI](#) [W31-R056JA1](#) [WR404140A6803J4100](#) [MFR3-47KFC](#) [MFR4-1R0FI](#) [MFR4-390RFI](#) [MRS25000C2373FC100](#)
[CF18JT47K0](#) [MRS25000C1051FC100](#) [MFR5-15RFI](#) [MBB0207VD1004BC100](#) [BPC10203J](#) [RSF12JT150R](#) [RC14JT39K0](#)
[MBA02040C6980FC100](#) [MRS25000C2002FC100](#) [MRS25000C8200FC100](#) [MBA02040C1878FC100](#) [MBE04140C1200FC100](#)
[MBA02040C1600FC100](#) [MBA02040C7508FC100](#)