

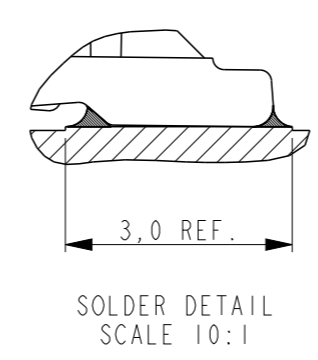
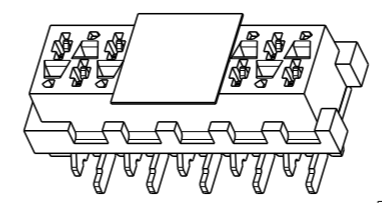
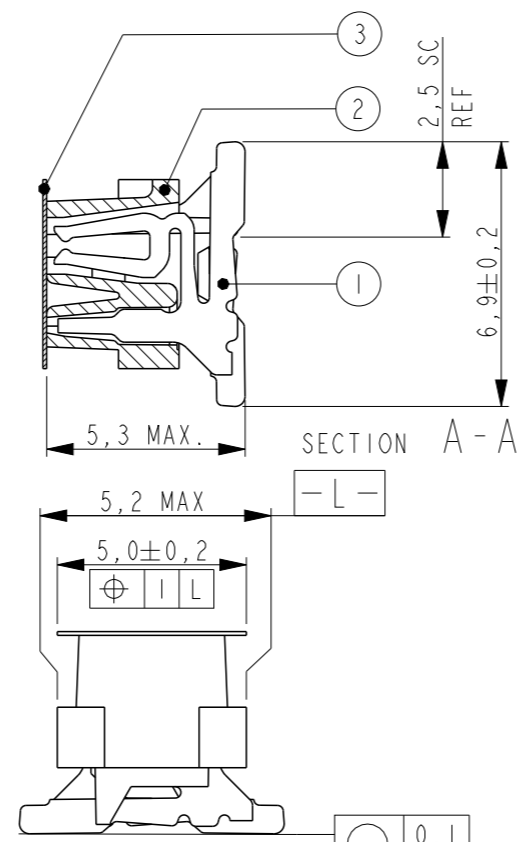
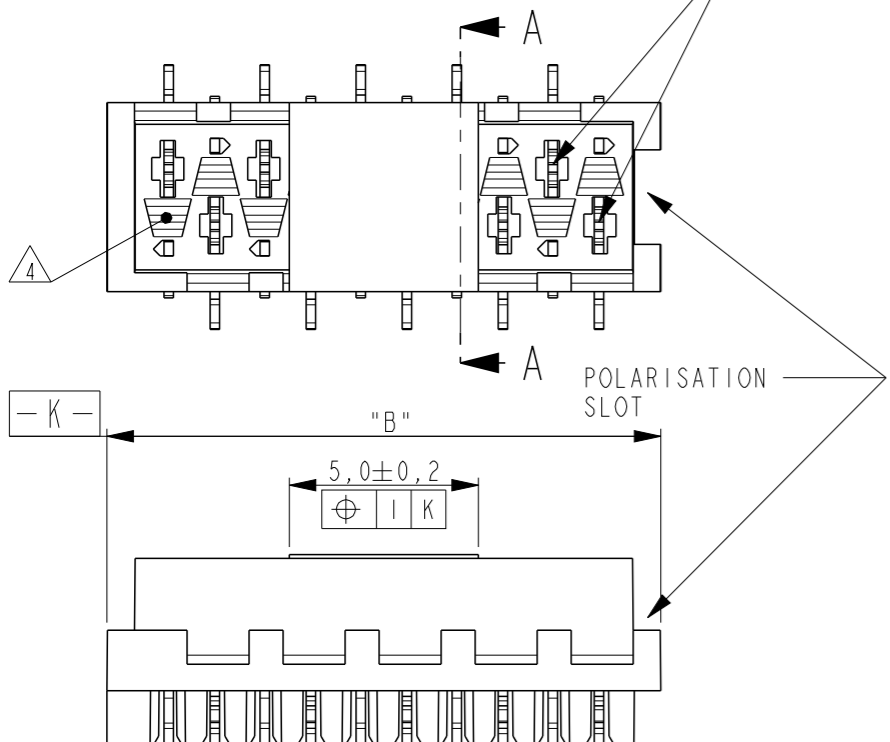
THIS DRAWING IS UNPUBLISHED. RELEASED FOR PUBLICATION. ALL RIGHTS RESERVED.

LOC H DIST -

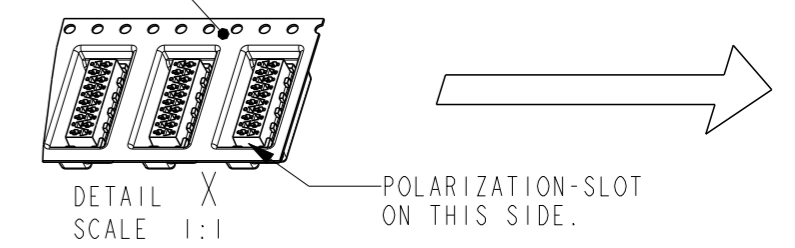
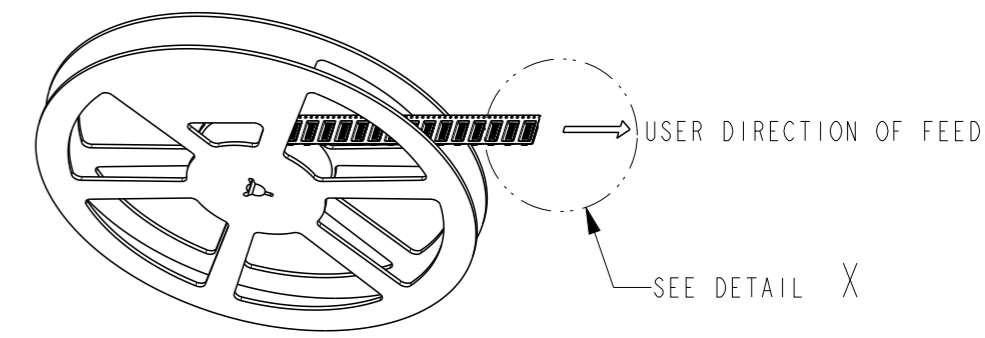
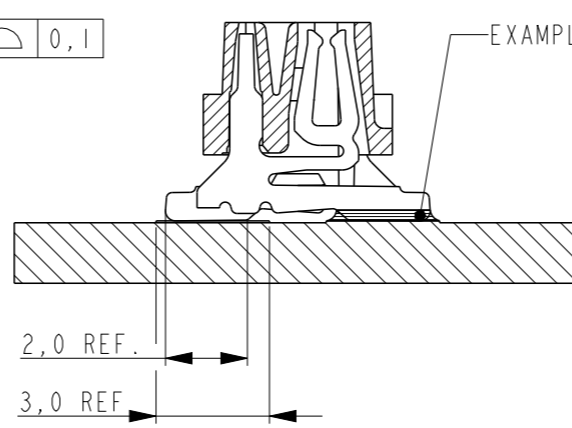
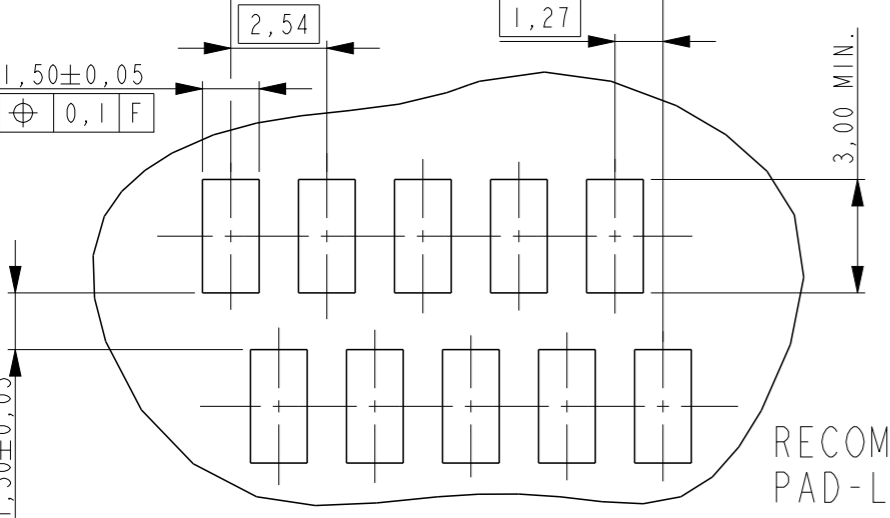
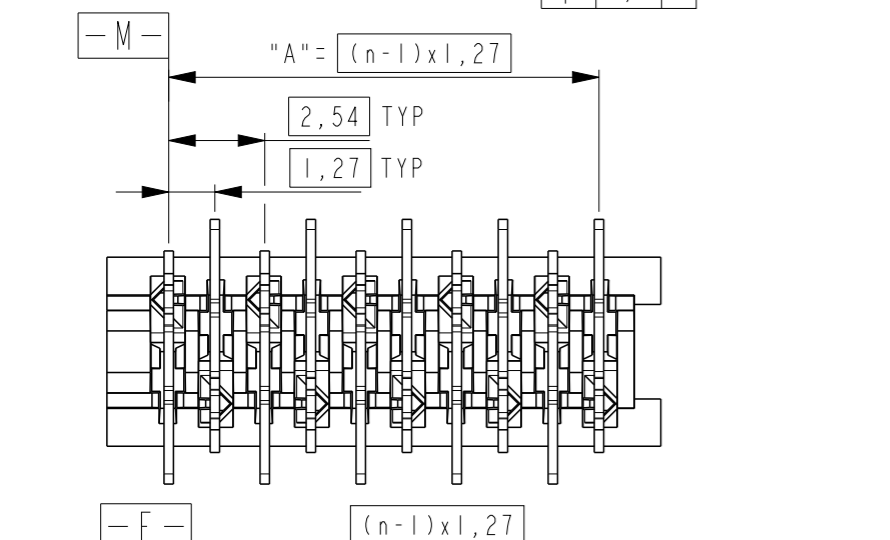
REVISIONS

| P | LTR | DESCRIPTION                       | DATE      | DWN | APVD |
|---|-----|-----------------------------------|-----------|-----|------|
|   | S4  | PACKAGING BLISTER MATERIAL CHANGE | 08MAY2015 | NV  | PS   |

REFERENCE MATING INTERFACE PATTERN:  
1,27 STAGGERED PITCH x 1,5 ROW-DISTANCE.



| PART NUMBER VAC. TAPE. <sup>1</sup> | PART REV | PART NUMBER <sup>3</sup> | PART REV | NR. OF POS. "n" | "A"   | "B" MAX. |
|-------------------------------------|----------|--------------------------|----------|-----------------|-------|----------|
| 7-188275-4                          | U        | 0-188275-4               | U        | 4               | 3,81  | 7,1      |
| 7-188275-6                          | U        | 0-188275-6               | U        | 6               | 6,35  | 9,7      |
| 7-188275-8                          | U        | 0-188275-8               | U        | 8               | 8,89  | 12,2     |
| 8-188275-0                          | U        | 1-188275-0               | U        | 10              | 11,43 | 14,7     |
| 8-188275-2                          | U        | 1-188275-2               | U        | 12              | 13,97 | 17,3     |
| 8-188275-4                          | U        | 1-188275-4               | U        | 14              | 16,51 | 19,8     |
| 8-188275-6                          | U        | 1-188275-6               | U        | 16              | 19,05 | 22,4     |
| 8-188275-8                          | V        | 1-188275-8               | V        | 18              | 21,59 | 24,9     |
| 9-188275-0                          | U        | 2-188275-0               | U        | 20              | 24,13 | 27,5     |



- NOTES:
- 1 TAPE FOR VACUUM P&P ONLY FOR DASHNUMBERS 7- /8- /9-
  - 2 FOR PACKAGING SEE SHEET 2 OF 2
  - 3 WITHOUT VACUUM TAPE.
  - 4 CORING-OUTS FOR MANUFACTURING PURPOSE ONLY. SHAPE MAY VARY, BUT IS NOT FUNCTIONAL FOR THE APPLICATION.
  - 5 SHOWN IS A 10 POSITION CONNECTOR.

| ITEM NO. | COMPONENT DESCRIPTION | MATERIAL         | FINISH / COLOR    |
|----------|-----------------------|------------------|-------------------|
| 3        | PICK & PLACE TAPE     | KAPTON           | AMBER TRANSPARENT |
| 2        | FEMALE HOUSING        | POLYAMIDE 4/6,GF | RED               |
| 1        | FEMALE CONTACT        | PHOSPHOR BRONZE  | TIN OVER NICKEL   |

THIS DRAWING IS A CONTROLLED DOCUMENT.

DWN M. GOSSELINK  
CHK -  
APVD -  
PRODUCT SPEC 108-19052  
APPLICATION SPEC 114-13318  
WEIGHT -

CUSTOMER DRAWING

DIMENSIONS: mm  
TOLERANCES UNLESS OTHERWISE SPECIFIED:  
0 PLC ±-  
1 PLC ±-  
2 PLC ±-  
3 PLC ±-  
4 PLC ±-  
ANGLES ±-  
FINISH SEE TABLE

SCALE 5:1 SHEET 1 OF 2 REV S4

**STE** TE Connectivity  
CONNECTOR, FEMALE-ON-BOARD TOP-ENTRY, SMD, Micro-MatCh  
SIZE A3 CAGE CODE 00779 DRAWING NO C-188275 RESTRICTED TO -

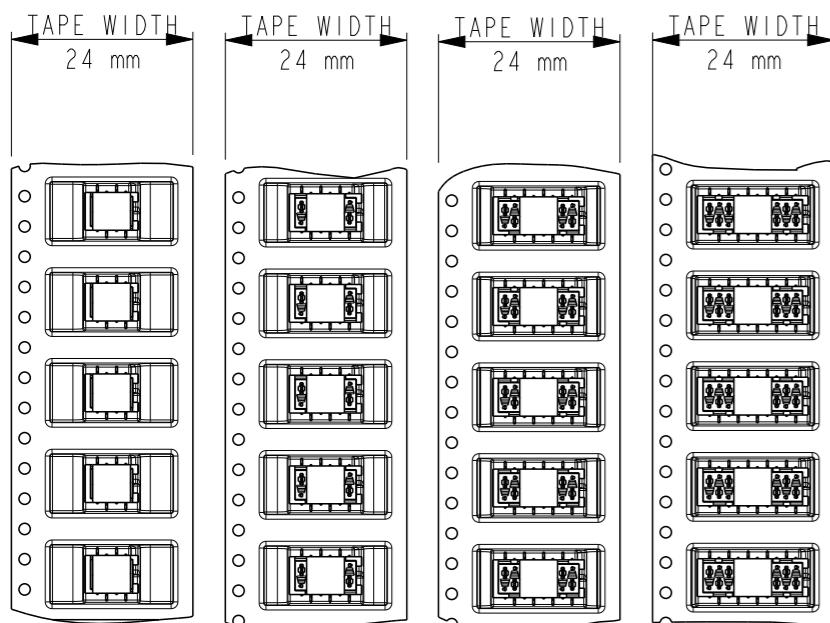
THIS DRAWING IS UNPUBLISHED.

RELEASED FOR PUBLICATION

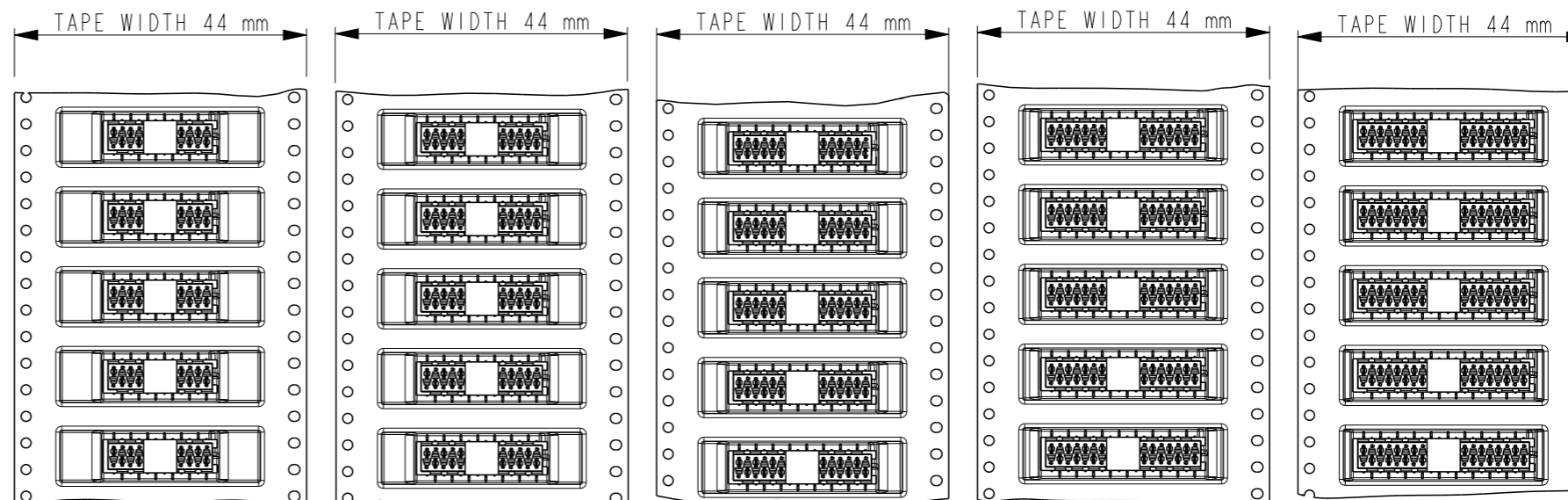
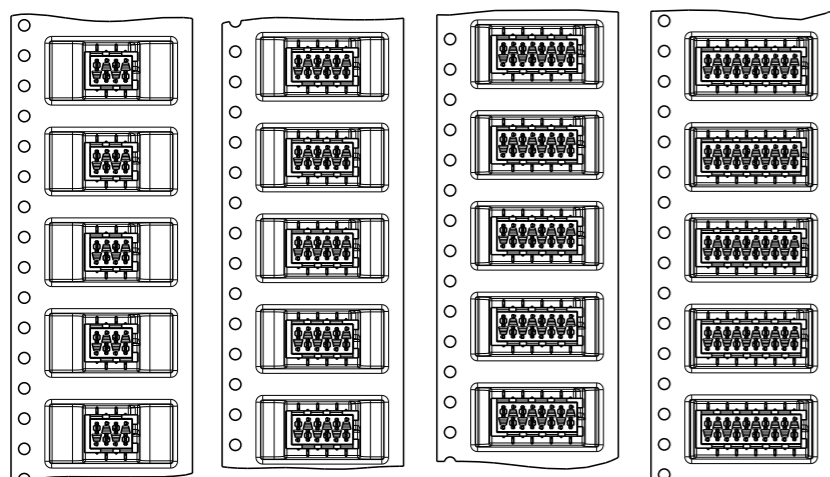
© COPYRIGHT -

ALL RIGHTS RESERVED.

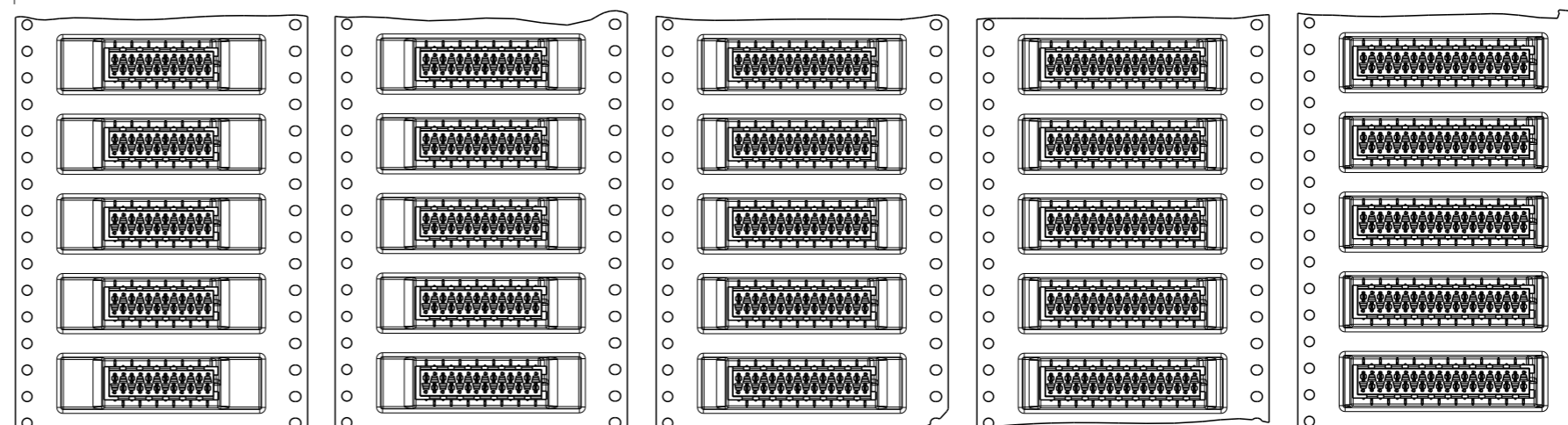
| LOC | DIST | REVISIONS |     |             |      |     |      |
|-----|------|-----------|-----|-------------|------|-----|------|
| H   | -    | P         | LTR | DESCRIPTION | DATE | DWN | APVD |
|     |      |           |     | SEE SHEET 1 |      |     |      |



|            |            |            |             |
|------------|------------|------------|-------------|
| 7-188275-4 | 7-188275-6 | 7-188275-8 | 8-188275-0  |
| 4 POSITION | 6 POSITION | 8 POSITION | 10 POSITION |
| 0-188275-4 | 0-188275-6 | 0-188275-8 | 1-188275-0  |

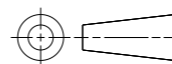


|             |             |             |             |             |
|-------------|-------------|-------------|-------------|-------------|
| 8-188275-2  | 8-188275-4  | 8-188275-6  | 8-188275-8  | 9-188275-0  |
| 12 POSITION | 14 POSITION | 16 POSITION | 18 POSITION | 20 POSITION |
| 1-188275-2  | 1-188275-4  | 1-188275-6  | 1-188275-8  | 2-188275-0  |



THIS DRAWING IS A CONTROLLED DOCUMENT.

DIMENSIONS:  
mm



TOLERANCES UNLESS OTHERWISE SPECIFIED:

- 0 PLC ±-
- 1 PLC ±0.1
- 2 PLC ±0.05
- 3 PLC ±-
- 4 PLC ±-
- ANGLES ±-
- FINISH -

MATERIAL -

|                  |              |
|------------------|--------------|
| DWN              | M. GOSSELINK |
| CHK              | -            |
| APVD             | -            |
| PRODUCT SPEC     | 108-19052    |
| APPLICATION SPEC | 114-13318    |
| WEIGHT           | -            |



CONNECTOR,  
FEMALE-ON-BOARD TOP-ENTRY,  
SMD, Micro-MaTch

|      |           |            |               |
|------|-----------|------------|---------------|
| SIZE | CAGE CODE | DRAWING NO | RESTRICTED TO |
| A3   | 00779     | ©-188275   | -             |

CUSTOMER DRAWING SCALE 1:1 SHEET 2 OF 2 REV S4

## X-ON Electronics

Largest Supplier of Electrical and Electronic Components

*Click to view similar products for [Headers & Wire Housings](#) category:*

*Click to view products by [TE Connectivity](#) manufacturer:*

Other Similar products are found below :

[892-18-020-10-001101](#) [58102-G61-06LF](#) [582553-1](#) [0009485154](#) [009176003701906](#) [0050291907](#) [LY20-4P-DT1-P1E-BR](#) [02.125.8002.8](#)  
[609-3404](#) [61062-3](#) [61082-181009](#) [622-3653LF](#) [63453-116](#) [636-1030](#) [636-1427](#) [636-3427](#) [636-4007](#) [641938-9](#) [641991-4](#) [644827-2](#) [65817-](#)  
[010LF](#) [65817-015LF](#) [65863-015LF](#) [66207-023LF](#) [67095-007LF](#) [67601157](#) [68645-018](#) [68648-049](#) [70.362.1628.0](#) [70-4210](#) [70-4226B](#) [70-](#)  
[4853B](#) [707-5020](#) [707-5028](#) [71.350.2428.0](#) [71918-208LF](#) [71961-016LF](#) [733-134](#) [733-162](#) [754199-000](#) [760-3052](#) [787-8014-00](#) [79531-3000](#)  
[FCN-360C032-B](#) [FCN-367T-T012/H](#) [FCN-723D010/2](#) [80.063.4001.1](#) [800-90-001-10-001000](#) [800-90-010-10-002000](#) [801-43-002-10-013000](#)