

LOC		DIST		REVISIONS			
GP	00	P	LTR	DESCRIPTION	DATE	DWN	APVD
		A1		REVISED PER ECO-09-021480	08OCT2009	CR	DG

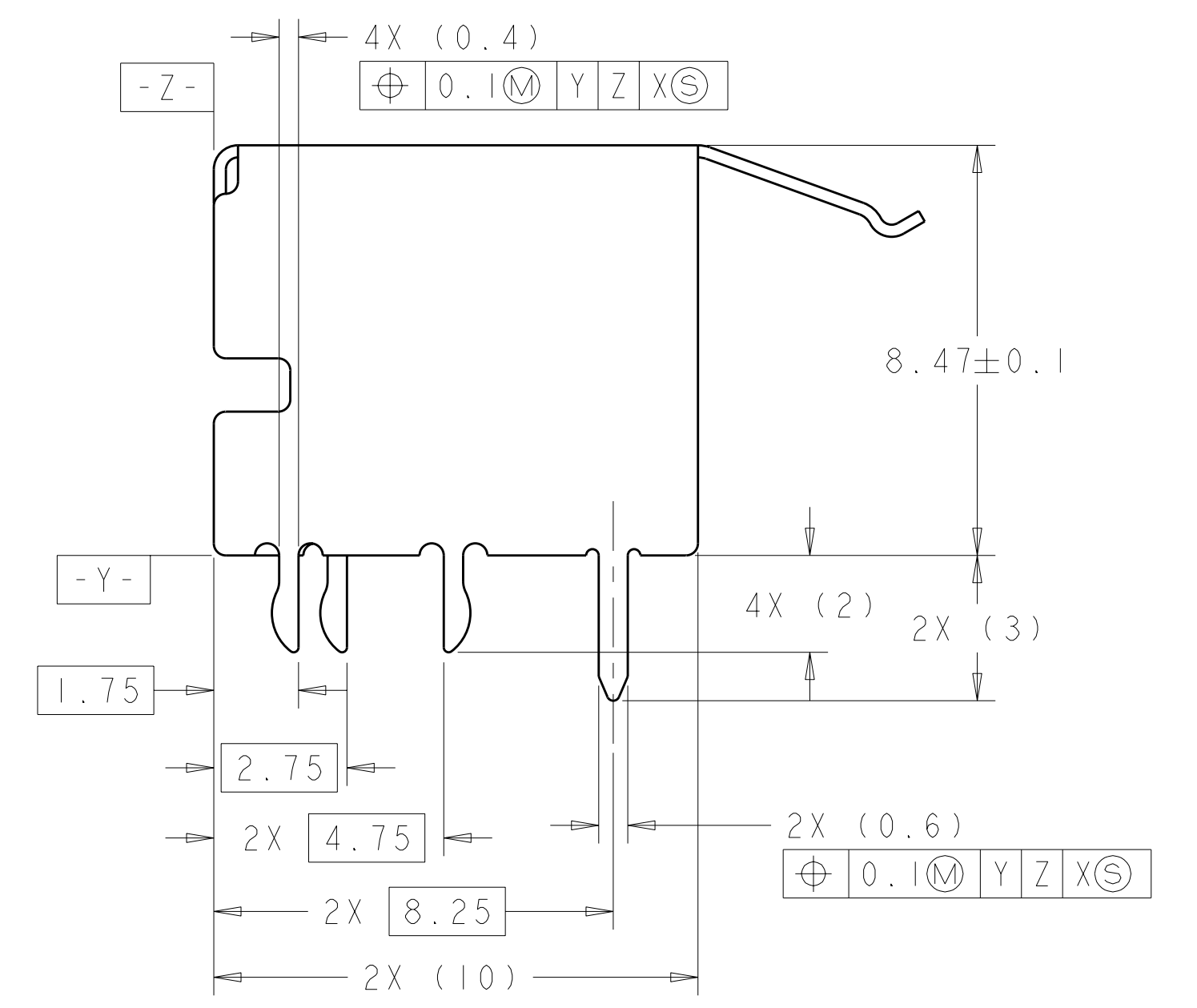
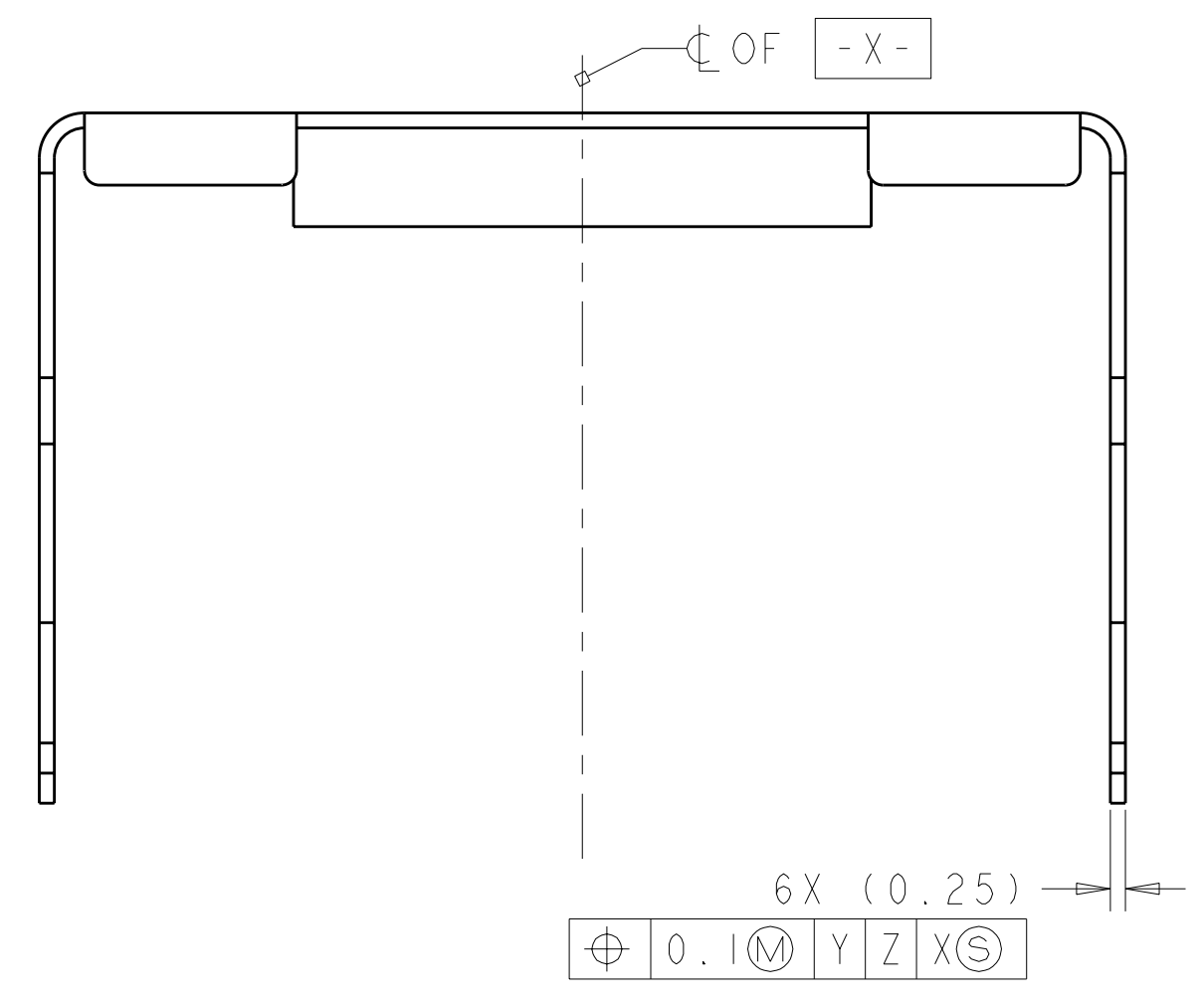
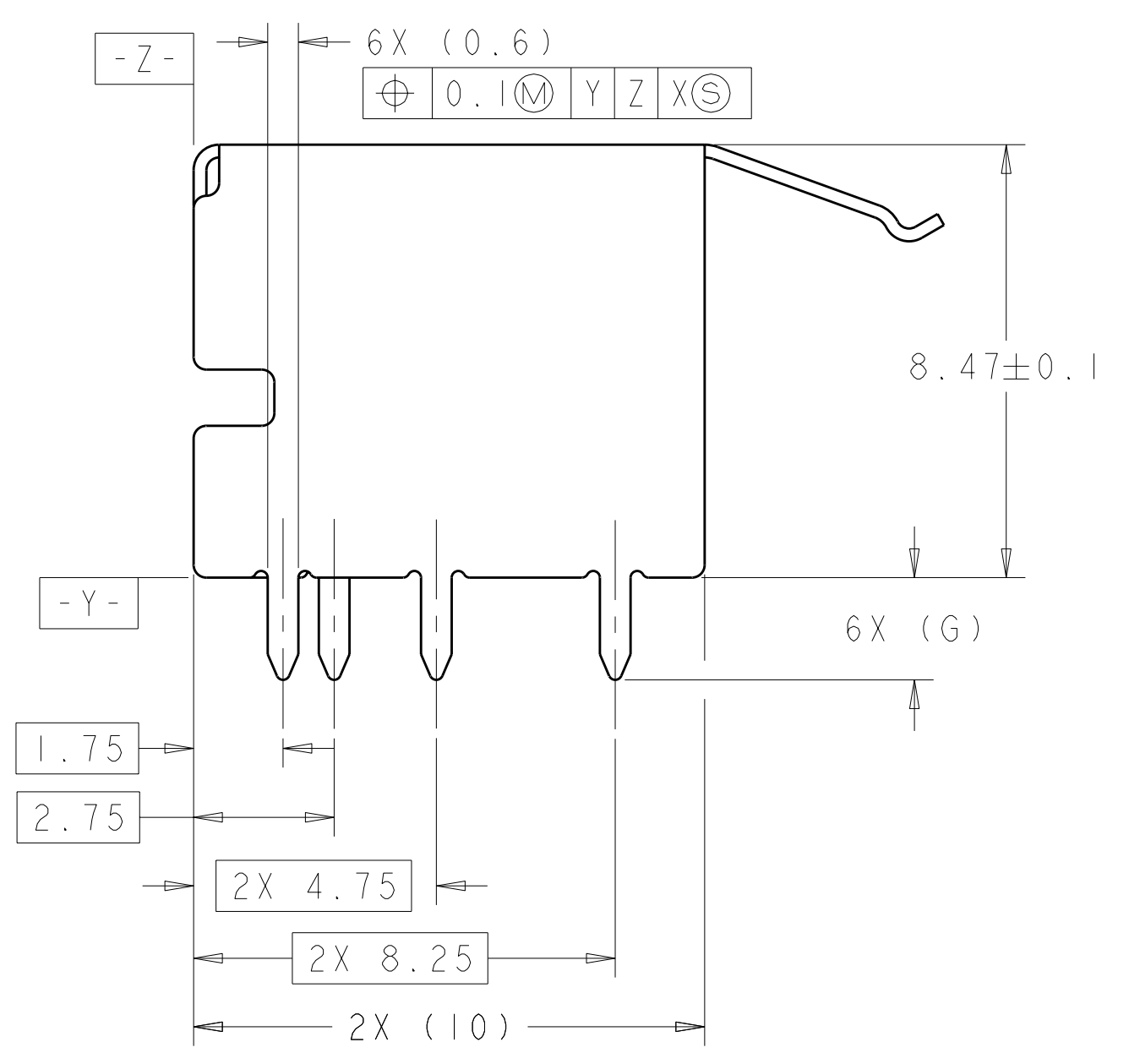
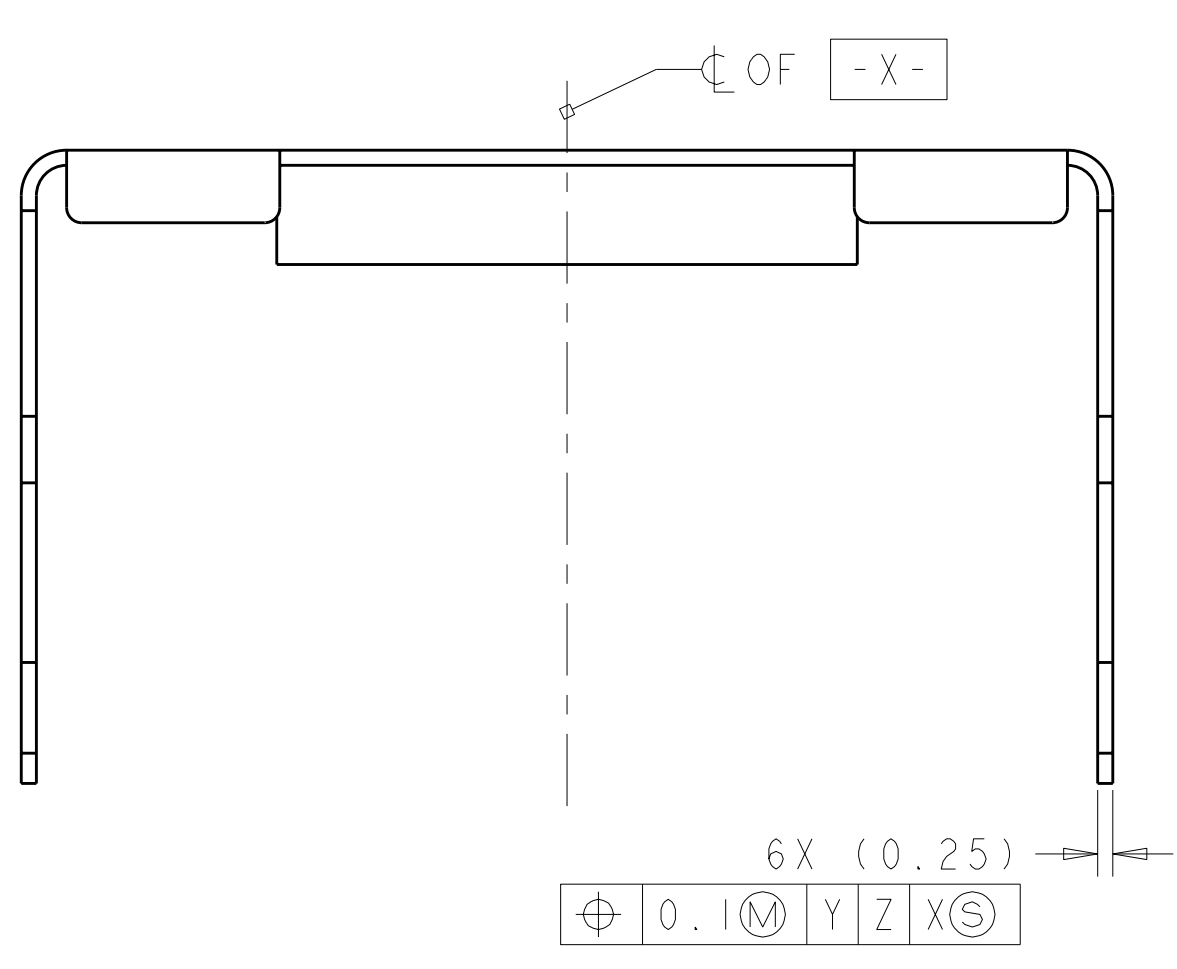
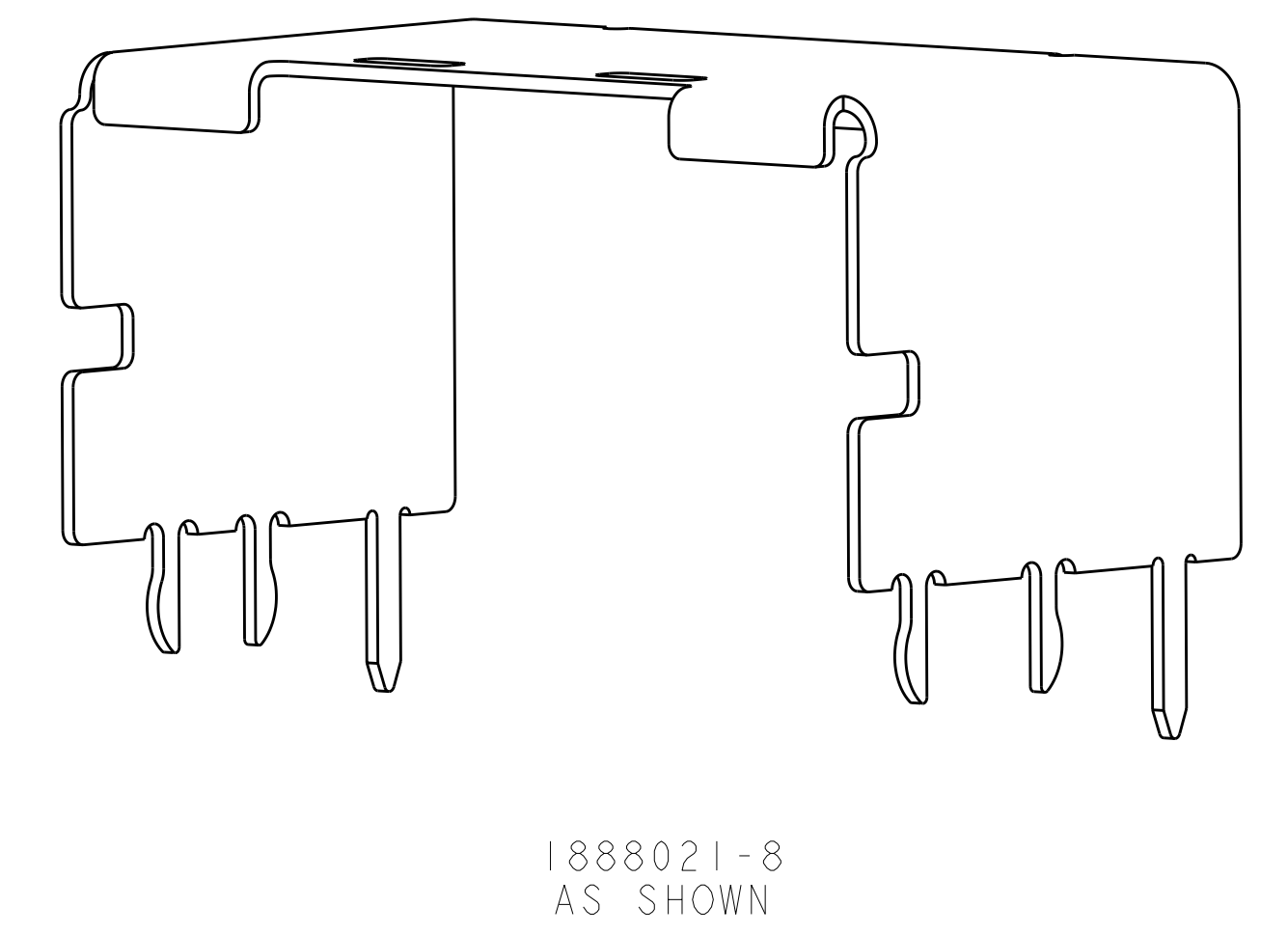
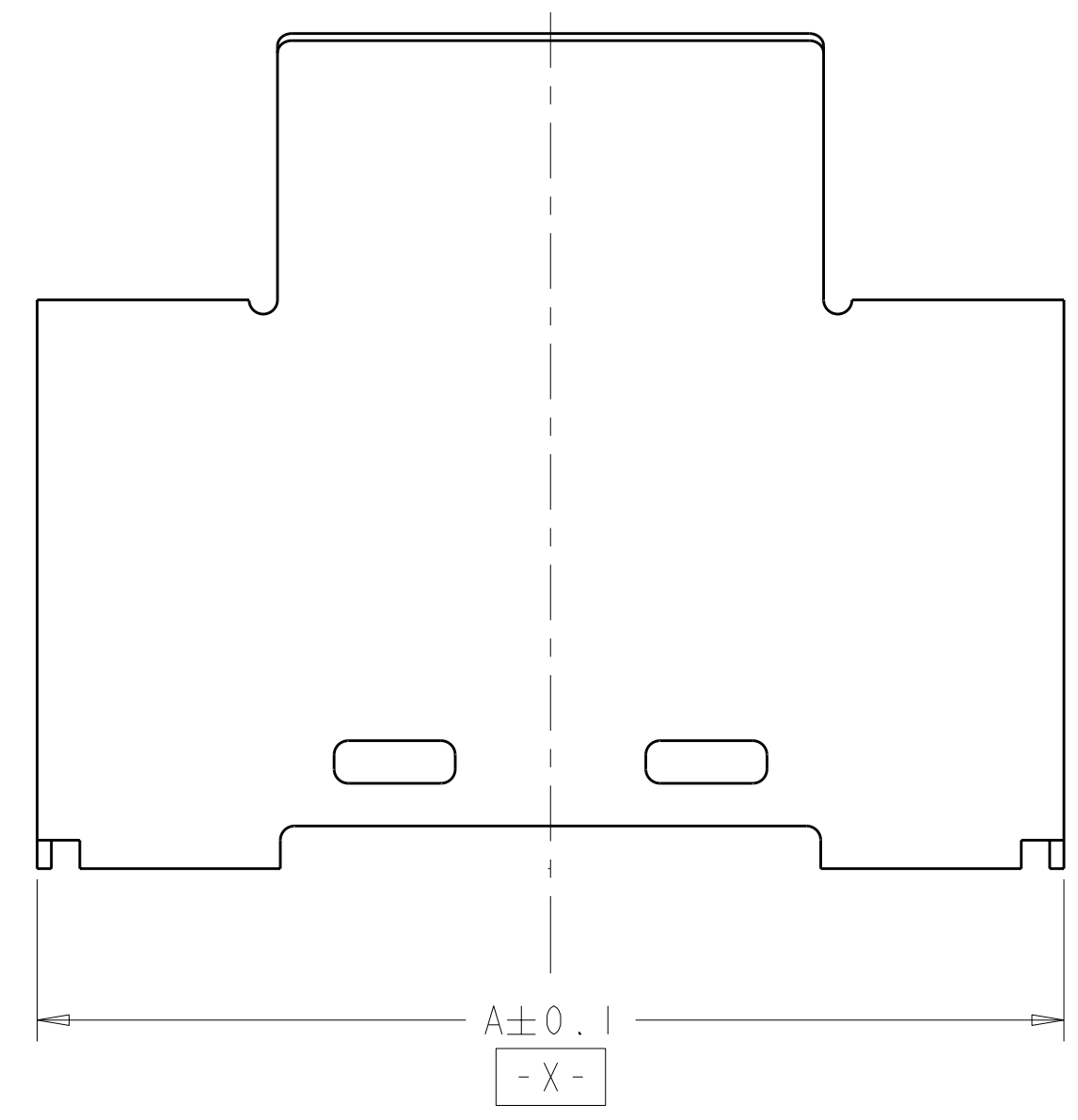
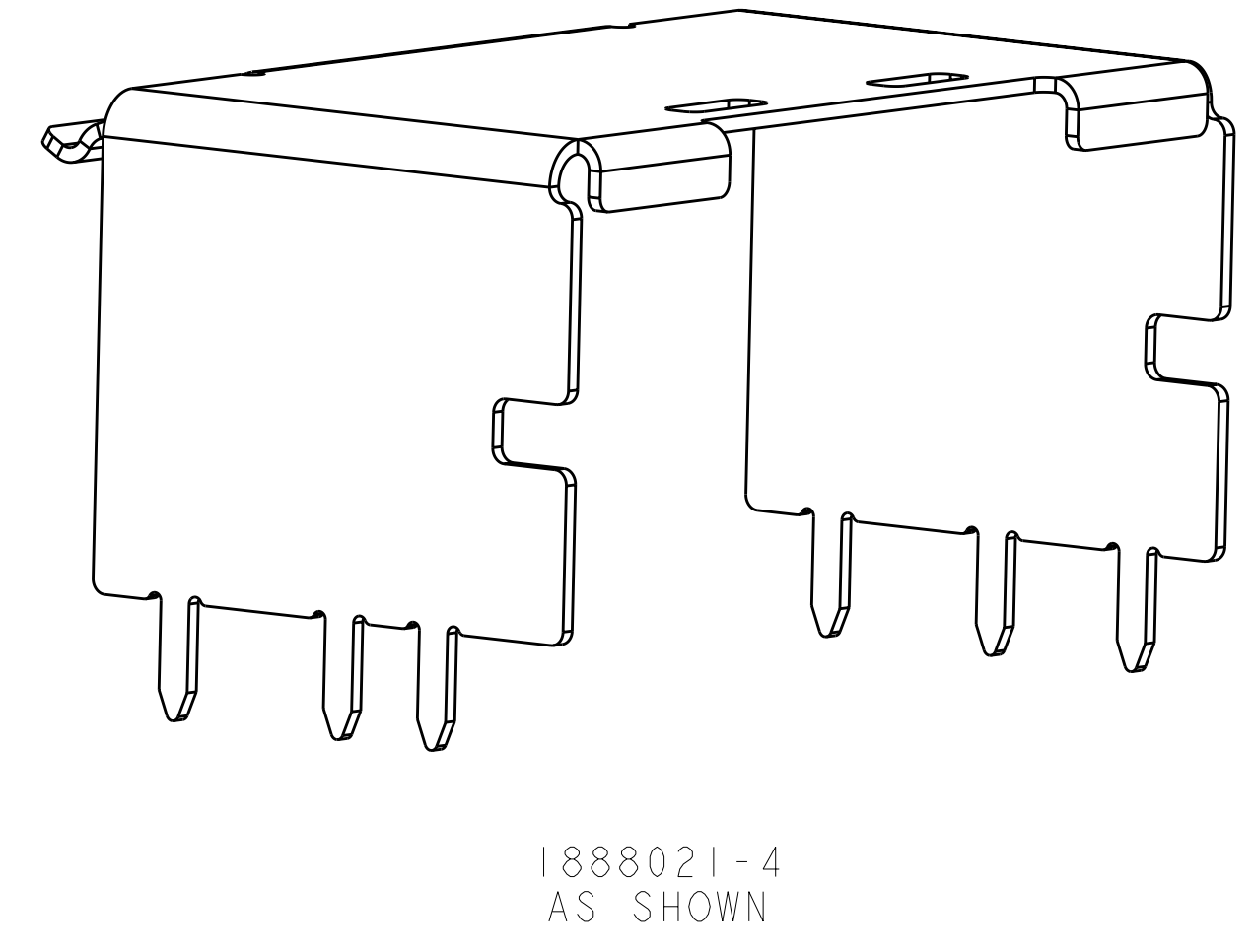
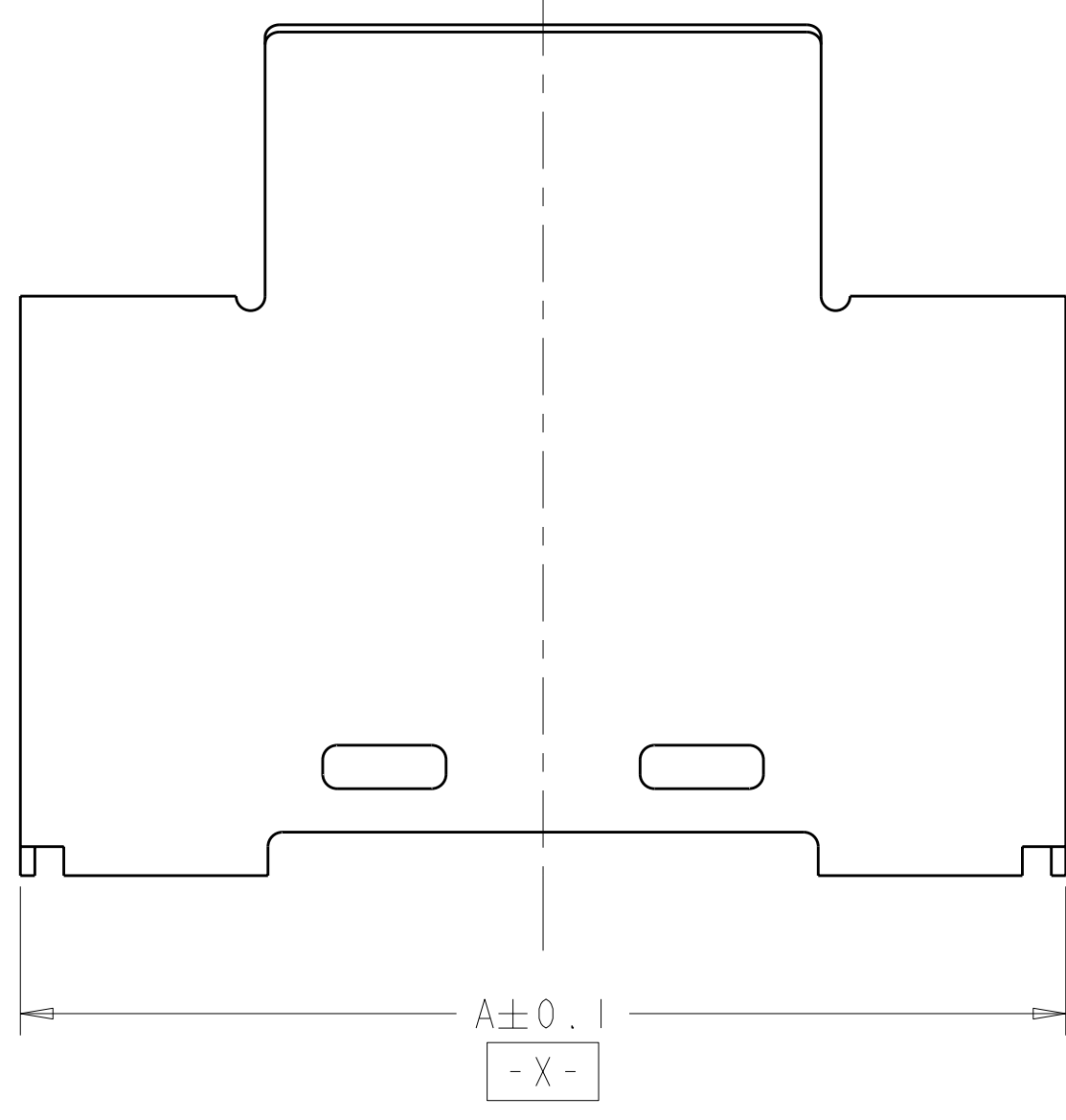


FIGURE M

FIGURE N

- 1 MATERIAL: NICKEL-SILVER PER ASTM B 122.
- 2. SHELL TO BE USED WITH THE SURFACE MOUNT RECEPTACLE CONNECTOR PART NUMBER REFERENCED IN TABLE
- 3 DATUM AND BASIC DIMENSION ESTABLISHED BY CUSTOMER

FIGURE	CONNECTOR PART NUMBER	G	F	E	D	A	POSN	PART NUMBER
M	1761987-2	3.5	36	17.8	16	18.05	36	1-1888021-6
M	1761987-2	2.8	36	17.8	16	18.05	36	1-1888021-2
N	1761987-2	-	36	17.8	16	18.05	36	1888021-8
M	1761987-2	2	36	17.8	16	18.05	36	1888021-4

DIMENSIONS: mm 9 PLC ± 1 PLC ±0.1 5 PLC ± 4 PLC ± ANGLES ± FINISH -		TOLERANCES UNLESS OTHERWISE SPECIFIED: 9 PLC ± 1 PLC ±0.1 5 PLC ± 4 PLC ± ANGLES ± FINISH -		DWN Z.M. BEAM 14MAY2008 CHK D.L. GORENC 14MAY2008 APVD P.H. WERTZ 14MAY2008		Tyco Electronics Harrisburg, PA 17105-3608	
MATERIAL: NICKEL-SILVER PER ASTM B 122		PRODUCT SPEC: 108-2234 APPLICATION SPEC:		NAME: EVERCLEAR Mini-SAS DUAL KEYED INTERNAL SHELL, RIGHT ANGLE, RECEPTACLE		SIZE: CAGE CODE: DRAWING NO: A100779C=1888021	
CUSTOMER DRAWING		SCALE: 8:1		SHEET 1 OF 2		REV A1	

X-ON Electronics

Largest Supplier of Electrical and Electronic Components

Click to view similar products for [I/O Connectors](#) category:

Click to view products by [TE Connectivity](#) manufacturer:

Other Similar products are found below :

[571763P](#) [58098-0628](#) [72.250.1628.2](#) [72.250.2428.2](#) [74720-0505](#) [76.350.0729.0](#) [76871-1403](#) [FCN-244F080-G/1](#) [FCN-260A9920](#) [PCR-E36PM](#) [PCS-XE26MA+](#) [G38A71314B](#) [1571250010](#) [157-22500-3](#) [MS3471L14-19P L/C](#) [172501-4002](#) [172501-6002](#) [FCN-260C008-A/L0](#) [FCN-260C024-AL0](#) [FCN-261Z008](#) [2000314-1](#) [200331-1](#) [PCR-E36FC+](#) [PCS-E28FS+](#) [PCS-XE26SLFD+](#) [PCS-XE26SLFDT+](#) [G730VID08BDC24](#) [U90B2054081210](#) [38113800006](#) [DP3AR020WQ1R200](#) [Z4.102.0680.0](#) [500-1040](#) [500-1052](#) [500-1054](#) [ZP-4008-66L](#) [0709821002](#) [DX40-20P\(55\)](#) [5554841-1](#) [MS3474W18-8P-LC*](#) [U90B3054061110](#) [U65-E04-4020](#) [ZPF000000000097891](#) [747360449](#) [10099439-003C-TRLF](#) [10137239-0021LF](#) [E9320-001-01](#) [10137239-0011LF](#) [70289-001LF](#) [70.060.1028.0](#) [109029-ZZ](#)