

LOC	DIST	REVISIONS			
P	LTR	DESCRIPTION	DATE	DWN	APVD
DS	-	RELEASED	03.JUN'09	YC	HG
		REVISED (ECR-09-022610)	26.OCT'09	IS	HG

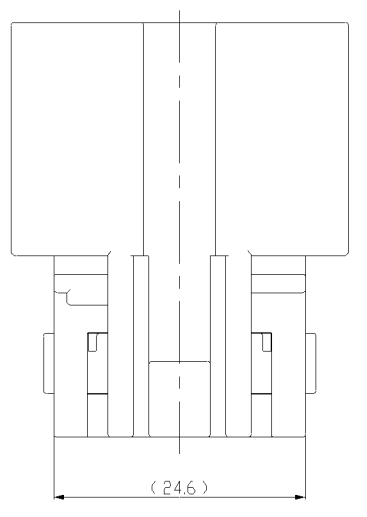
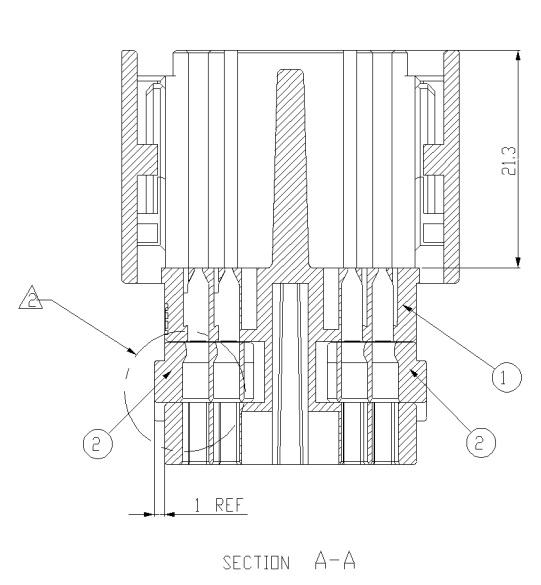
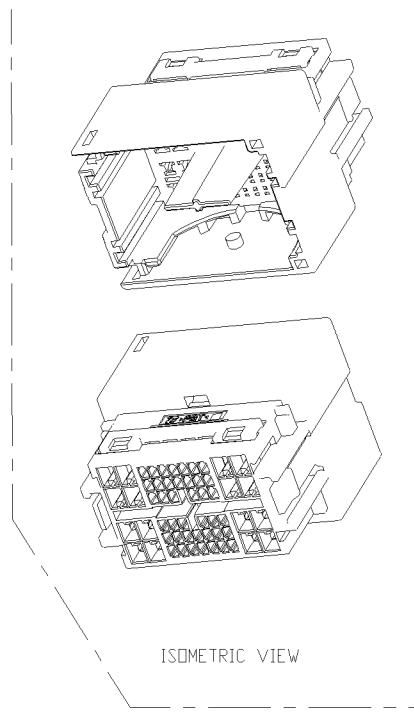
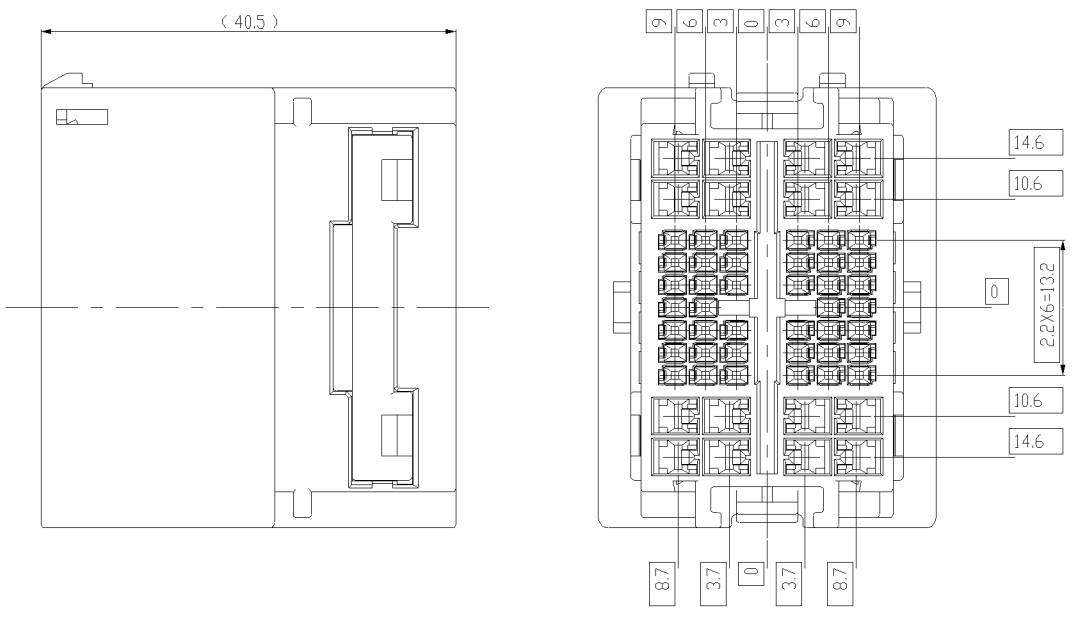
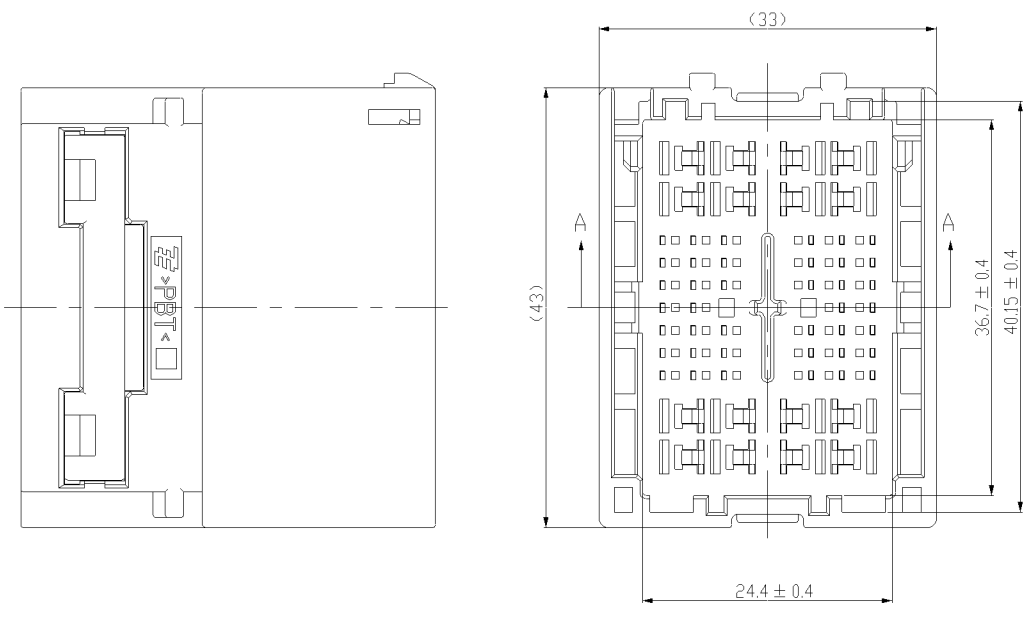


TABLE 1 (FOR 1-1897551-1)

TYPE	FINISH	P/N	WIRE NOMINAL SIZE(SØ)
.025	PRE-TIN	2005098-1	0.22
	PRE-TIN	2005154-1	0.3-0.5
.090	PRE-TIN	1897752-1	0.22~0.5
		368088-1	0.3 ~ 0.5
		368087-1	0.85 ~ 1.25
		368086-1	2.0 ~ 2.5

TABLE 1 (FOR 0-1897551-1)

TYPE	FINISH	P/N	WIRE NOMINAL SIZE(SØ)
.025	PRE-TIN	1376109-1	0.22-0.5
	GOLD	1376109-2	
.090	PRE-TIN	1897752-1	0.22-0.5
		368088-1	0.3 ~ 0.5
		368087-1	0.85 ~ 1.25
		368086-1	2.0 ~ 2.5

- NOTES
 1. GENERAL TOLERANCE IS ±0.3, 3'
 2. CONDITION OF DELIVERY :
 DBL IN 1ST LOCKING POSITION
 3. APPLIED PLUG ASS'Y P/N : 1897550-1
 4. APPLIED TAB CONTACT P/N : TABLE 1

OBSELETE

NO.	COLOR	MATERIAL	DESCRIPTION	Q'TY
2	WHITE	PBT	DBL HSG	2
1	WHITE	PBT	CAP HSG	1

THIS DRAWING IS A CONTROLLED DOCUMENT FOR TYCO ELECTRONICS CORPORATION. IT IS SUBJECT TO CHANGE AND THE CONTROLLING ENGINEERING ORGANIZATION SHOULD BE CONTACTED FOR THE LATEST REVISION.

DIMENSIONS: mm	TOLERANCES UNLESS OTHERWISE SPECIFIED: 0 PLC ± 1 PLC ± 2 PLC ± 3 PLC ± 4 PLC ± ANGLES ± FINISH ±	DWN: IS WOO CHK: JW JUNG APVD: HG CHO PRODUCT SPEC: - APPLICATION SPEC: - WEIGHT: -	Tyco Electronics Kyungsan, Korea
MATERIAL: SEE TABLE		CUSTOMER DRAWING	NAME: 025/090 HYB 56P CAP ASS'Y(LIF)
		SCALE: 2:1	RESTRICTED TO: -
		SHEET 1 OF 1	REV B

X-ON Electronics

Largest Supplier of Electrical and Electronic Components

Click to view similar products for [Headers & Wire Housings](#) category:

Click to view products by [TE Connectivity](#) manufacturer:

Other Similar products are found below :

[0015917161](#) [0022155065](#) [57102-F02-18ULF](#) [58102-G61-06LF](#) [582553-1](#) [01.001.5753.1](#) [0050291907](#) [02.125.8002.8](#) [609-3404](#) [61062-3](#)
[CSU011177004](#) [622-0430](#) [622-3653LF](#) [63453-116](#) [636-1030](#) [636-1427](#) [636-3427](#) [636-4007](#) [641938-9](#) [65495-038](#) [65692-001LF](#) [65781-018](#)
[65781-047](#) [65817-010LF](#) [65817-015LF](#) [67095-007LF](#) [67601157](#) [68631-112](#) [68645-018](#) [699319-000](#) [70.362.1628.0](#) [70-4210](#) [70-4226B](#) [70-](#)
[4853B](#) [71.350.2428.0](#) [733-134](#) [733-162](#) [760-3052](#) [MHR-64-VUAL](#) [80.063.4001.1](#) [800-90-001-10-001000](#) [801-43-002-10-013000](#)
[801-43-006-10-002000](#) [803-43-024-10-001000](#) [803-93-012-10-001000](#) [8-1437020-4](#) [819-22-004-30-001101](#) [820-22-006-30-001101](#)
[820-22-008-30-001101](#) [821-22-002-10-001101](#)