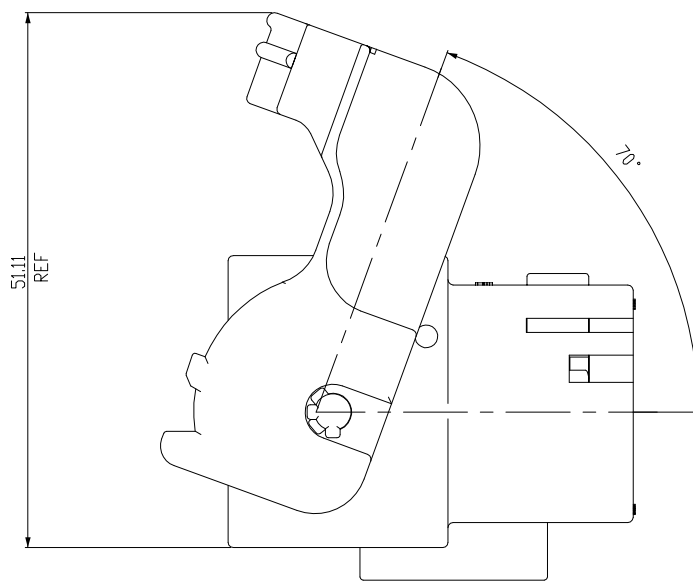
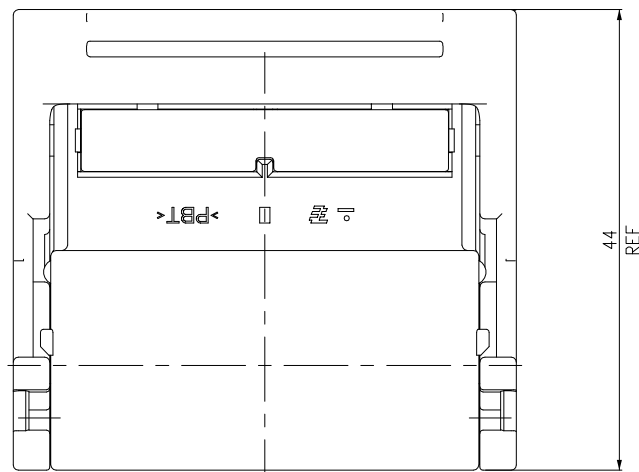
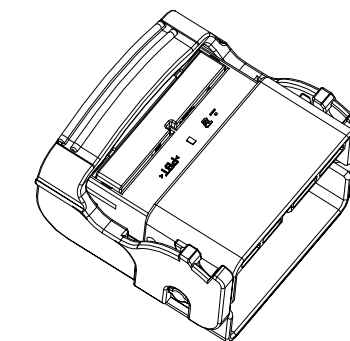
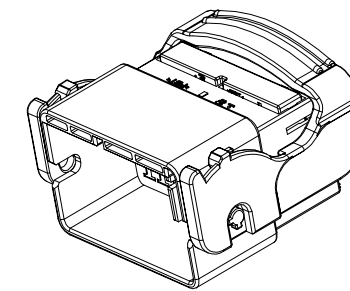


THIS DRAWING IS UNPUBLISHED. RELEASED FOR PUBLICATION 20  
 © COPYRIGHT 20 BY - ALL RIGHTS RESERVED.

REVISIONS					
P	LTR	DESCRIPTION	DATE	DWN	APVD
A		RELEASED	03.APR.'09	IS	HG
B		REVISED (ECR-10-008163)	15.APR.'10	WY	HG
B1		REVISED (ECR-13-014452)	06.SEP.'13	JM	HG



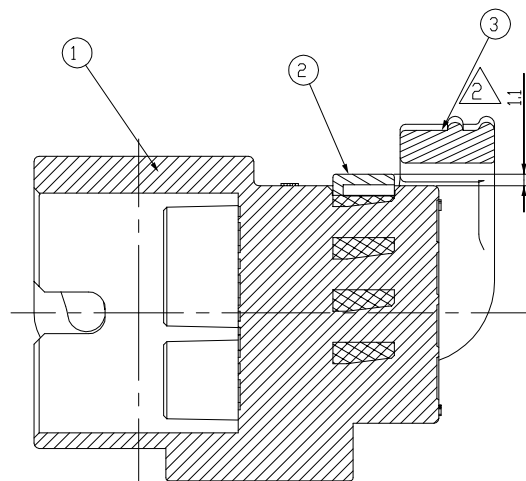
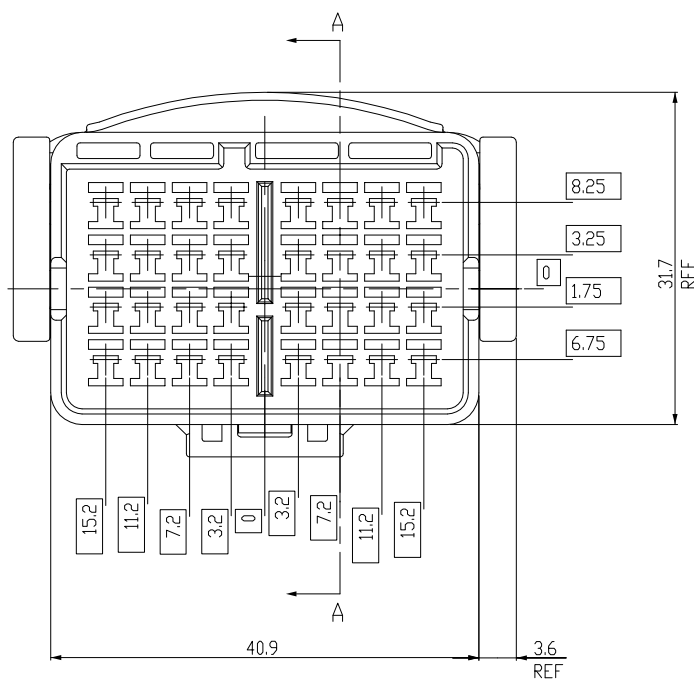
[PRELOCK POSITION]



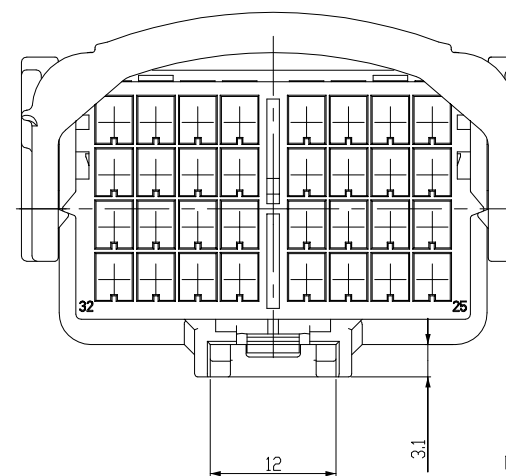
ISO VIEW

[TABLE 1]

TYPE	P/N	WIRE SIZE	MATERIAL/FINISH
.090	0-368088-1	0.3-0.5	Cu/NISI ALLOY PRE-TIN
	0-368087-1	0.85-1.25	
	0-368086-1	2.0	



SECTION A-A



NOTE

- 1.GENERAL TOLERANCE: ±0.3 ±3'
- 2.CONDITION OF DELIVERY: DBL IN 1ST.LOCKING POSITION
- 3.APPLIED PLUG ASSY P/N:X-1897556-X
- 4.APPLIED TAB.CONTACT P/N: TABLE1

5.CHECK CONVERSION KEY CODE

5 SHAPE OF CONVERSION TYPE	
0-1897552-1 (WHITE)	1-1897552-2 (BLACK)

NO	COLOR	MATERIAL	P/N	DESCRIPTION	Q'TY
3	GRAY	PB-GF30	0-1897555-3	LEVER HSG	1 1
2	YELLOW	PBT	0-1897554-5	DBL HSG	1 1
1	BLACK	PBT	1-1897553-2	CAP HSG	- 1
1	NATURAL	PBT	0-1897553-1	CAP HSG	1 -

ASSY P/N  
0-1897552-1  
1-1897552-2

THIS DRAWING IS A CONTROLLED DOCUMENT.

DIMENSIONS: mm TOLERANCES UNLESS OTHERWISE SPECIFIED:  
 0 PLC ±  
 1 PLC ±  
 2 PLC ±  
 3 PLC ±  
 4 PLC ±  
 ANGLES ±  
 FINISH SEE TABLE

3RD ANGLE PROJECTION

MATERIAL -

DWN JM JEON  
 CHK JW JUNG  
 APVD HG CHO  
 PRODUCT SPEC -  
 APPLICATION SPEC -  
 WEIGHT -

NAME  
 .090 32PIN CAP ASSY(LIF)

TE Connectivity

SIZE A2 CAGE CODE 00779 DRAWING NO C=1897552 RESTRICTED TO -

CUSTOMER DRAWING SCALE 2:1 SHEET 1 OF 1 REV B1

## X-ON Electronics

Largest Supplier of Electrical and Electronic Components

*Click to view similar products for [Automotive Connectors](#) category:*

*Click to view products by [TE Connectivity](#) manufacturer:*

Other Similar products are found below :

[003-018-000](#) [60403001](#) [60993906-B](#) [M902-2131](#) [M902-2161](#) [M902-2344](#) [72.330.1035.1](#) [73.353.4028.0](#) [F119300-B](#) [F166900](#) [F258300-B](#)  
[F358300-B](#) [F407400](#) [F444110](#) [F487000](#) [F509500B-B](#) [827153-1](#) [8N1515-32-24P](#) [9-1326729-8](#) [925474-1](#) [928905-1](#) [964562-4](#) [968782-1](#)  
[GT17SA-8DS-HU](#) [98891-1012](#) [98947-1016](#) [12004147](#) [12004475-L](#) [12010290](#) [12010309-B](#) [12015454](#) [12020219-B](#) [12041318-B](#) [12052225-](#)  
[L](#) [12052466](#) [12064869](#) [12004327-B](#) [12015308](#) [12015384](#) [12015909](#) [1-21030-1](#) [12041254](#) [12041318](#) [12047946-B](#) [12047957](#) [12047957-L](#)  
[12059473](#) [12066261](#) [12110546](#) [12110546-B](#)