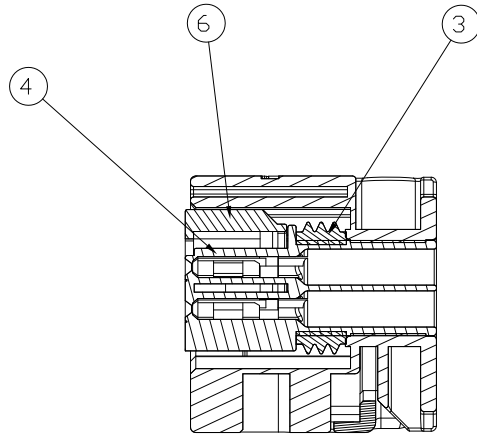
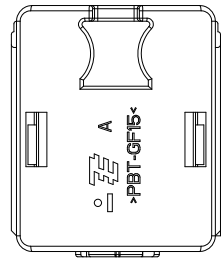
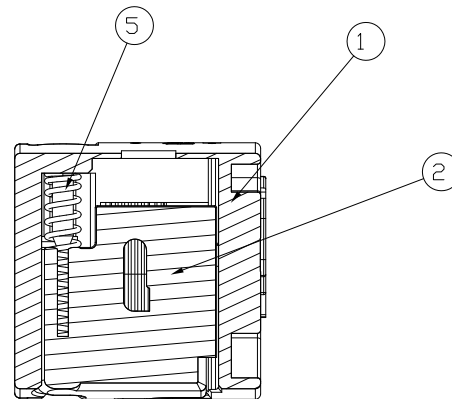


THIS DRAWING IS UNPUBLISHED. RELEASED FOR PUBLICATION 20
 © COPYRIGHT 20 BY TYCO ELECTRONICS CORPORATION. ALL RIGHTS RESERVED.

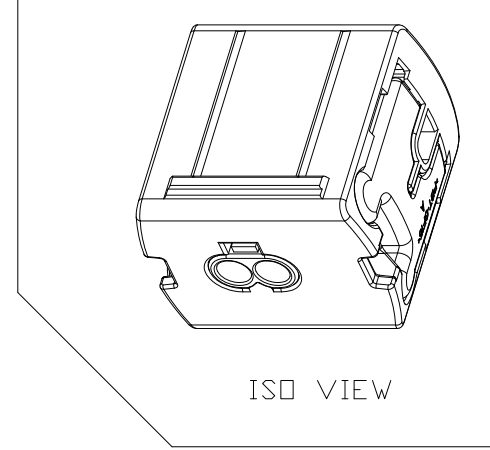
| LOC | DIST | REVISIONS | | | | | |
|-----|------|-----------|-----|-------------------------|----------|-----|------|
| | | P | LTR | DESCRIPTION | DATE | DWN | APVD |
| DS | - | A | | RELEASE | 27NOV'09 | YH | JK |
| | | B | | REVISED (ECR-10-010206) | 09JUN'10 | YH | JK |



SECTION A-A



SECTION B-B



ISO VIEW

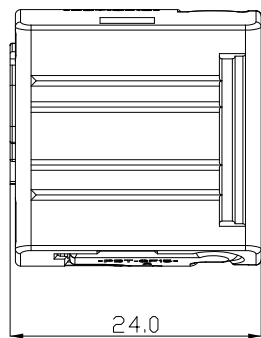
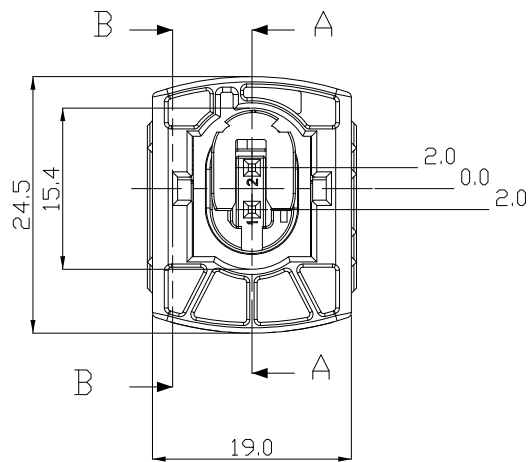


TABLE 1. APPLICABLE REC CONTACT.

| REC | PART NO. | Material and Finish | Wire Size Range (mm ²) | INSULATION RANGE (Diameter:mm) | Wire Seal P/N |
|-----|----------|---------------------|------------------------------------|--------------------------------|---------------|
| MQS | 962885-5 | Gold plated | 0.5 | 0.9~1.6 | 967067-2 |

NOTE :
 1. GENERAL TOLERANCE : ±0.3, ±3.0°
 2. APPLICABLE REC CONTACT : SEE TABLE 1.
 3. RETAINER SUPPLY CONDITION : 1'ST LOCKING

| KEY CODE A 1-1897778-5 | KEY CODE B 2-1897778-5 | KEY CODE C 3-1897778-5 | KEY CODE E 5-1897778-5 |
|---------------------------|---------------------------|---------------------------|---------------------------|
| | | | |

| KEY CODE E | KEY CODE C | KEY CODE B | KEY CODE A | REMARK |
|------------------------|------------------------|------------------------|------------------------|-------------|
| 5-1897778-5 | 3-1897778-5 | 2-1897778-5 | 1-1897778-5 | |
| MQS 2P CONNECTOR ASS'Y | MQS 2P CONNECTOR ASS'Y | MQS 2P CONNECTOR ASS'Y | MQS 2P CONNECTOR ASS'Y | |
| | | | | DESCRIPTION |
| | | | | ASS'Y P/N |

| NO. | DESCRIPTION | MATERIAL | COLOR | Q'TY |
|-----|------------------|----------|---------|---------|
| ⑥ | RETAINER | PBT-GF15 | GREEN | 1 1 1 1 |
| ⑤ | INNER SPRING | SUS | - | 2 2 2 2 |
| ④ | SOCKET HSG | PBT-GF15 | BLACK | 1 1 1 1 |
| ③ | INNER SEAL | SILICONE | NATURAL | 1 1 1 1 |
| ② | SLIDE LEVER E | PBT-GF15 | GRAY | 1 - - - |
| | SLIDE LEVER C | PBT-GF15 | BROWN | - 1 - - |
| | SLIDE LEVER B | PBT-GF15 | BLACK | - - 1 - |
| | SLIDE LEVER A | PBT-GF15 | YELLOW | - - - 1 |
| ① | PLUG HSG<CODE E> | PBT-GF15 | YELLOW | 1 - - - |
| | PLUG HSG<CODE C> | PBT-GF15 | YELLOW | - 1 - - |
| | PLUG HSG<CODE B> | PBT-GF15 | YELLOW | - - 1 - |
| | PLUG HSG<CODE A> | PBT-GF15 | YELLOW | - - - 1 |

| | | |
|---|--|------------------------|
| THIS DRAWING IS A CONTROLLED DOCUMENT FOR TYCO ELECTRONICS CORPORATION. IT IS SUBJECT TO CHANGE AND THE CONTROLLING ENGINEERING ORGANIZATION SHOULD BE CONTACTED FOR THE LATEST REVISION. | | DWN YH LEE |
| DIMENSIONS: mm | | CHK KT LIM |
| TOLERANCES UNLESS OTHERWISE SPECIFIED | | APVD JK SONG |
| 0 PLC ± | | PRODUCT SPEC |
| 1 PLC ±0.5 | | APPLICATION SPEC |
| 2 PLC ±0.13 | | WEIGHT 8g |
| 3 PLC ±0.013 | | SIZE A200779 |
| 4 PLC ±0.0001 | | CAGE CODE C=189778 |
| ANGLES ± | | DRAWING NO C=189778 |
| FINISH | | RESTRICTED TO |
| MATERIAL SEE TABLE | | SCALE 2:1 |
| | | SHEET 1 OF 1 |
| | | REV B |



MQS SPRING LOCK 2P PLUG ASS'Y

X-ON Electronics

Largest Supplier of Electrical and Electronic Components

Click to view similar products for [RF Connector Accessories](#) category:

Click to view products by [TE Connectivity](#) manufacturer:

Other Similar products are found below :

[89674-0712](#) [FERRULE-174](#) [R141802000](#) [R141842000](#) [R141862000W](#) [R280907000](#) [AX102907](#) [HP-500](#) [2098-3251-94](#) [KA-81-02](#) [KA-81-05](#) [KN-89-12](#) [89674-0805](#) [FERRULE-223](#) [202102-11](#) [R280468000](#) [R280510000](#) [RFI155-1](#) [RFI25-12-D3](#) [RFI25-4-D2](#) [RFI75-12-D2](#) [RFI97-14](#) [360HS001M2508M6](#) [4-1532137-4](#) [HRM-514S\(40\)](#) [5-21085-0](#) [111062-0490](#) [112122-SOD-LUG](#) [IPP-2014](#) [RFI95-14-D2](#) [1736-1511-075](#) [RFI75-2-D3](#) [RFI25-3-D3](#) [R280469010](#) [RFI85-4](#) [896110450](#) [660-024M09S5-01](#) [1403137-1](#) [360HB001M2512H](#) [360HS001M1716M3](#) [380HS115M2508H3](#) [380HS001M1716M4](#) [FERRULE-316DB](#) [105274-2000](#) [73415-1970](#) [R280755050W](#) [52014041A](#) [R447120000](#) [BNC-JCAP\(01\)](#) [415CPB-239-50F](#)