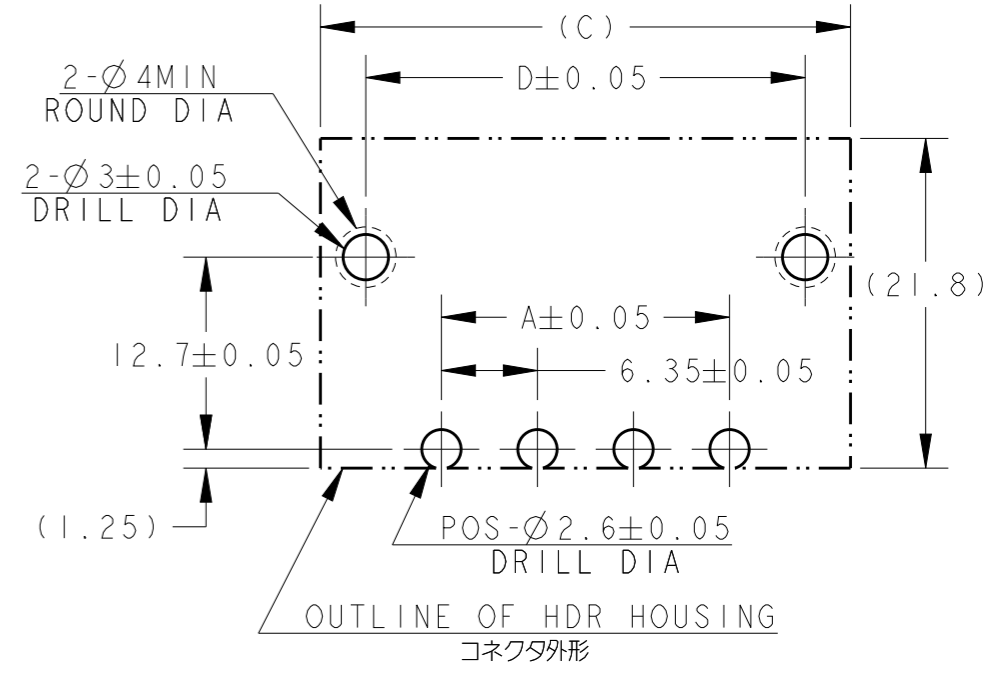
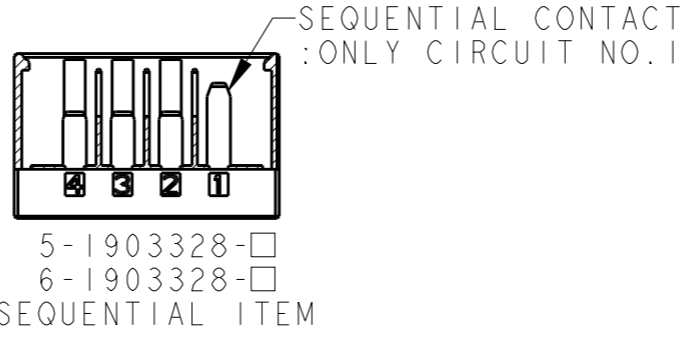
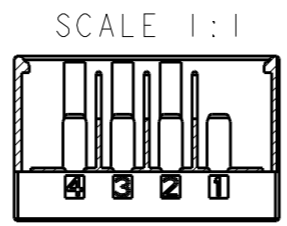
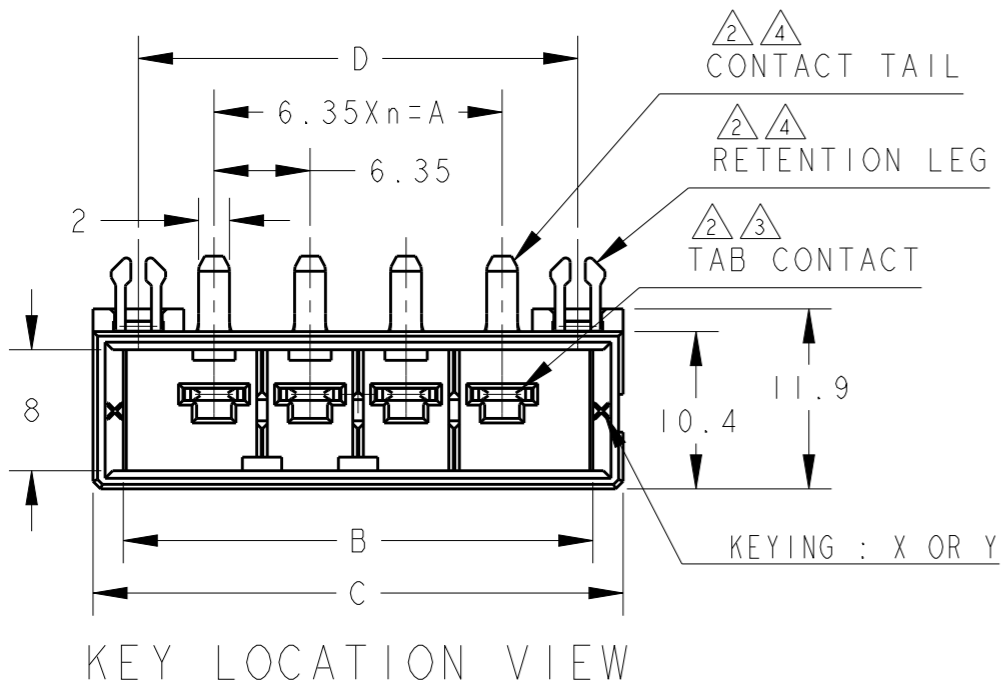
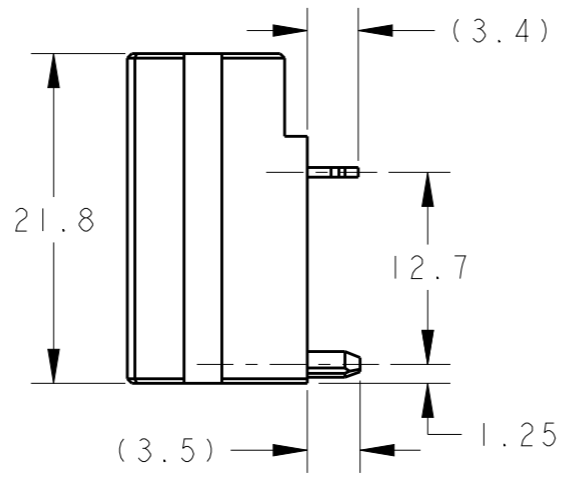
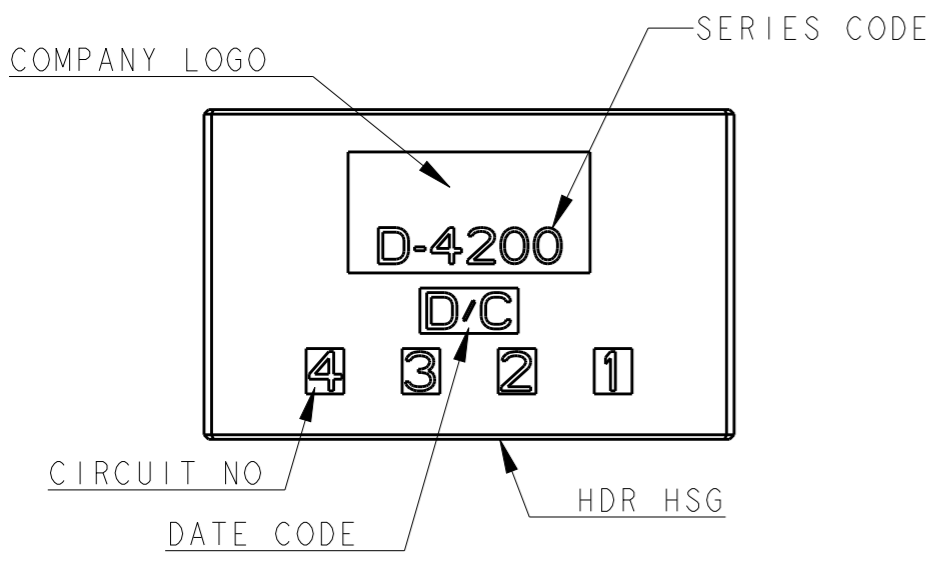


REVISIONS					
P	LTR	DESCRIPTION	DATE	DWN	APVD
	C	REVISED PER ECR-19-011328	18JUL2019	K.T	E.1



RECOMMEND PC BOARD HOLE PATTERN : CONNECTOR MOUNT SIDE (NOT ACCUMULATE TOLERANCE)  
PC BOARD THICKNESS : 1.6~2.4±0.1  
推奨基板取付寸法 : コネクタ搭載面 (非累積公差)  
PC基板厚 : 1.6~2.4±0.1



AS SHOWN : 1-1903328-4 (4POS: X-KEY)

POS	n	A	B	C	D	KEY LOCATION	KEY	PART NUMBER
4	3	19.05	31.05	35.05	29.05		Y	2-1903328-4 6-1903328-4
4	3	19.05	31.05	35.05	29.05		X	1-1903328-4 5-1903328-4
3	2	12.70	24.70	28.70	22.70		Y	2-1903328-3 6-1903328-3
3	2	12.70	24.70	28.70	22.70		X	1-1903328-3 5-1903328-3
2	1	6.35	18.35	22.35	16.35		Y	2-1903328-2
2	1	6.35	18.35	22.35	16.35		X	1-1903328-2

1. MATERIAL: HOUSING: GLASS FILLED THERMO PLASTIC  
POLYESTER (94V-0), COLOR: BLACK  
CONTACT: COPPER ALLOY  
RETENTION LEG: COPPER ALLOY

- △2. FINISH (ALL OVER): NICKEL PL. 1.3μmMIN
- △3. FINISH (CONTACT AREA): GOLD PL. 0.38μmMIN AFTER △2
- △4. FINISH (CONTACT TAIL & RETENTION LEG): TIN PL. 2μmMIN AFTER △2

THIS DRAWING IS A CONTROLLED DOCUMENT.

DIMENSIONS: 単位: 概 mm	TOLERANCES UNLESS OTHERWISE SPECIFIED: 一般公差 ±0.3, ±3° 0 PLC ± 1 PLC ±0.1 2 PLC ±0.01 3 PLC ±0.001 4 PLC ±0.0001 ANGLES ±
MATERIAL 材料	FINISH 仕上
material_2	finish_spec_2

DWN M. MAEBASHI	23MAR2007
CHK T. KUDO	23MAR2007
APVD D. MITSUGI	23MAR2007
PRODUCT SPEC 製品規格	108-78182
APPLICATION SPEC 取付適用規格	114-5369
WEIGHT	-
CUSTOMER DRAWING	

**STE** TE Connectivity

NAME 名称: DYNAMIC D4200S 6.35mm PITCH  
HDR ASSY (H-TYPE)  
2-4POS

SIZE	CAGE CODE	DRAWING NO 番号	RESTRICTED TO
A3	00779	C-1903328	

SCALE 尺度: 2:1 SHEET 1 OF 1 REV C

## X-ON Electronics

Largest Supplier of Electrical and Electronic Components

*Click to view similar products for [Headers & Wire Housings](#) category:*

*Click to view products by [TE Connectivity](#) manufacturer:*

Other Similar products are found below :

[892-18-020-10-001101](#) [58102-G61-06LF](#) [582553-1](#) [0009485154](#) [009176003701906](#) [0050291907](#) [LY20-4P-DT1-P1E-BR](#) [02.125.8002.8](#)  
[609-3404](#) [61062-3](#) [61082-181009](#) [622-3653LF](#) [63453-116](#) [636-1030](#) [636-1427](#) [636-3427](#) [636-4007](#) [641938-9](#) [641991-4](#) [644827-2](#) [65817-](#)  
[010LF](#) [65817-015LF](#) [65863-015LF](#) [66207-023LF](#) [67095-007LF](#) [67601157](#) [68645-018](#) [68648-049](#) [70.362.1628.0](#) [70-4210](#) [70-4226B](#) [70-](#)  
[4853B](#) [707-5020](#) [707-5028](#) [71.350.2428.0](#) [71918-208LF](#) [71961-016LF](#) [733-134](#) [733-162](#) [754199-000](#) [760-3052](#) [787-8014-00](#) [79531-3000](#)  
[FCN-360C032-B](#) [FCN-367T-T012/H](#) [FCN-723D010/2](#) [80.063.4001.1](#) [800-90-001-10-001000](#) [800-90-010-10-002000](#) [801-43-002-10-013000](#)