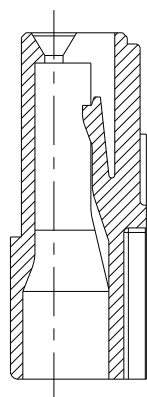
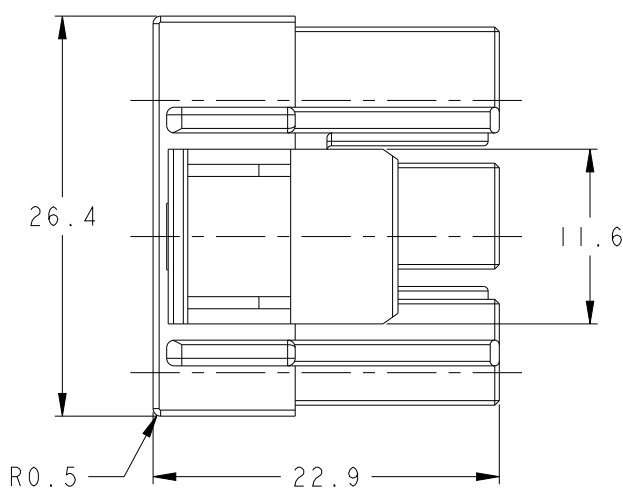


REVISIONS

P	LTR	DESCRIPTION	DATE	DWN	APVD
	F4	REVISED PER ECR-21-105872	06JUL2021	SC	D.Z



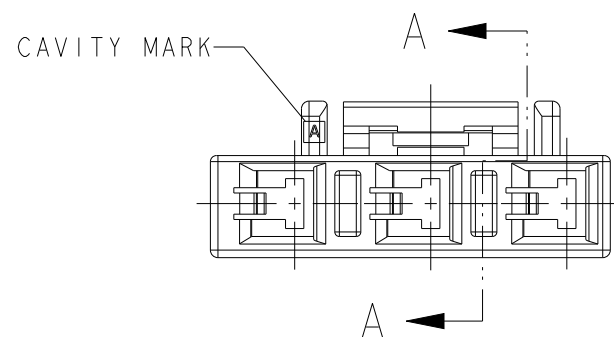
SECTION D - D



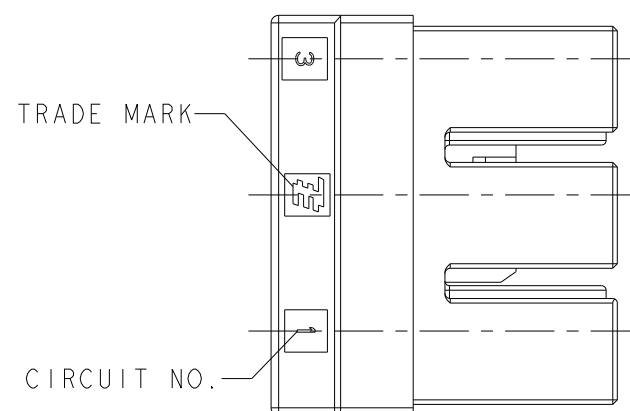
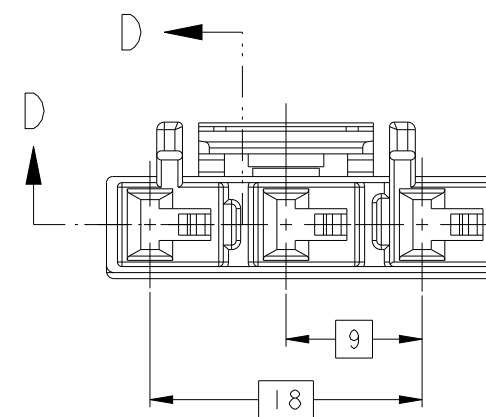
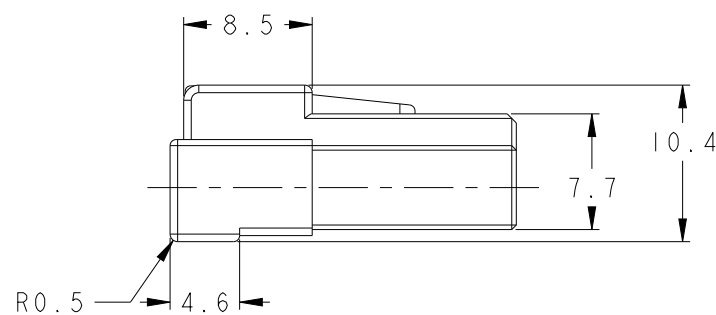
NOTES

⚠ MATING CONN. P/N
 HDR ASSEMBLY: SEE TABLE
 REC CONTACT: 1746971-1
 : 1746972-1

2 PART MEETS WITH GWT 750°C



SECTION A - A



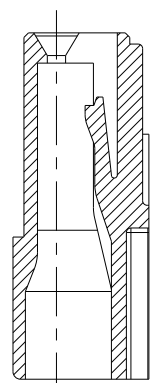
2-1903415-1	BLUE	2-1903414-1
1-1903415-1	RED	1-1903414-1
1903415-1	NATURAL	1903414-1
⚠ MATING CONN. P/N	COLOR	PART NUMBER

THIS DRAWING IS A CONTROLLED DOCUMENT.

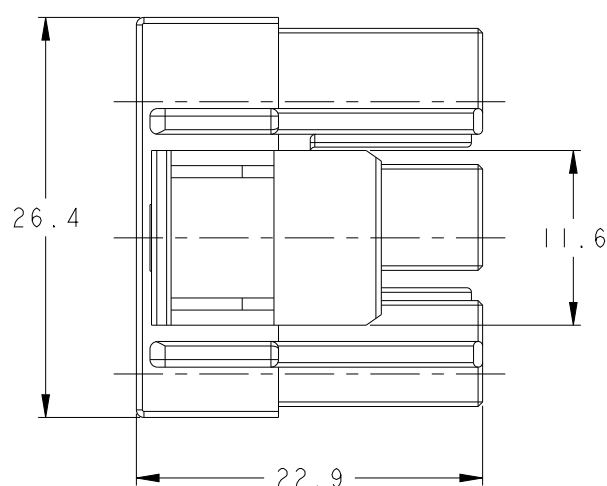
DIMENSIONS: mm 	TOLERANCES UNLESS OTHERWISE SPECIFIED: 0 PLC ±0.3 1 PLC ±0.3 2 PLC ±0.3 3 PLC ±0.2 4 PLC ±0.2 ANGLES ±3° FINISH -	DWN A. HIROTA 07FEB2006	TE Connectivity NAME GRACE HI-CURRENT (GHC) 9.0mm 3POS PLUG HOUSING
		CHK N. YAMASAKI 07FEB2006	
MATERIAL PA66 GF UL94 V-0	APVD N. YAMASAKI 07FEB2006	PRODUCT SPEC 108-78357	
	APPLICATION SPEC 114-5356	WEIGHT -	

SIZE A3	CAGE CODE 00779	DRAWING NO C-1903414	RESTRICTED TO -
CUSTOMER DRAWING		SCALE 2:1	SHEET 1 OF 2
		REV F4	

P	LTR	DESCRIPTION	DATE	DWN	APVD
		SEE SHEET 1			



SECTION D-D

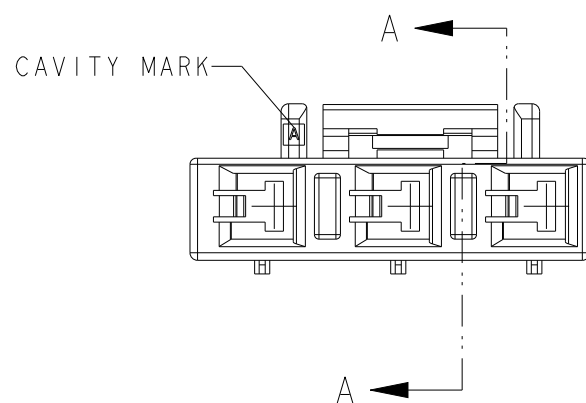


NOTES

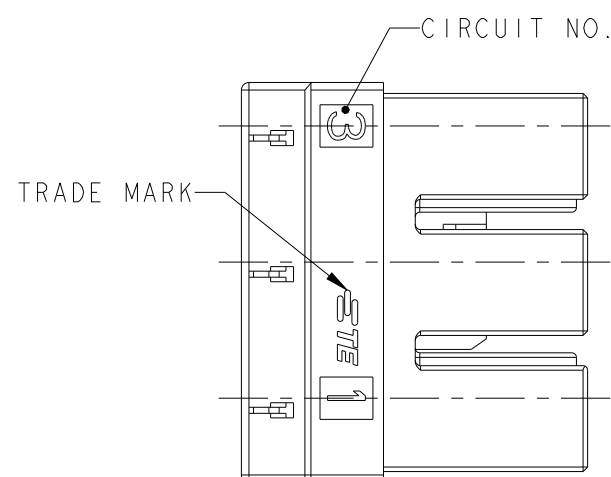
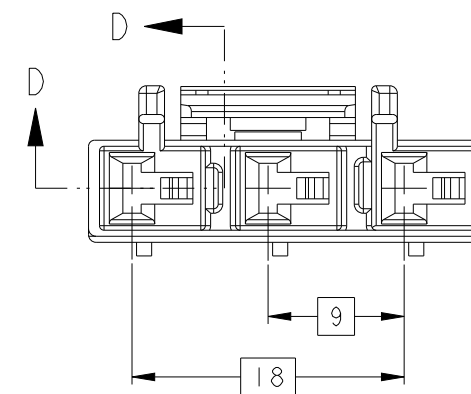
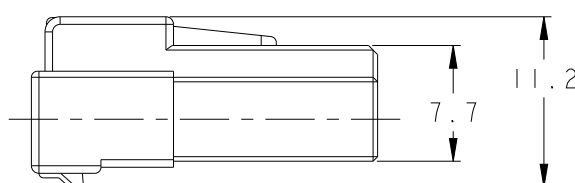
⚠ MATING CONN. P/N
 HDR ASSEMBLY: SEE TABLE
 REC CONTACT: 1746971-1
 : 1746972-1

2 PART MEETS WITH GWT 750°C

3 APPLICABLE TPA P/N: 2232563-1 OR 1-2232563-1



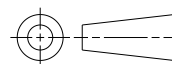
SECTION A-A



4-1903415-1	BLACK	4-1903414-2
2-1903415-1	BLUE	2-1903414-2
1-1903415-1	RED	1-1903414-2
1903415-1	NATURAL	1903414-2
⚠ MATING CONN. P/N	COLOR	PART NUMBER

THIS DRAWING IS A CONTROLLED DOCUMENT.

DIMENSIONS:
mm



TOLERANCES UNLESS OTHERWISE SPECIFIED:

- 0 PLC ±0.3
- 1 PLC ±0.3
- 2 PLC ±0.3
- 3 PLC ±0.2
- 4 PLC ±0.2
- ANGLES ±3°

MATERIAL
PA66 GF
UL94 V-0

FINISH
-

DWN SC KIM 26OCT2016

CHK BH CHO 26OCT2016

APVD BW KANG 26OCT2016

PRODUCT SPEC
108-78357

APPLICATION SPEC
114-5356

WEIGHT
-

CUSTOMER DRAWING

NAME
GRACE HI-CURRENT(GHC)
9.0mm 3POS PLUG HOUSING

SIZE	CAGE CODE	DRAWING NO	RESTRICTED TO
A3	00779	1903414	-

SCALE 2:1 SHEET 2 OF 2 REV F4



X-ON Electronics

Largest Supplier of Electrical and Electronic Components

Click to view similar products for [Heavy Duty Power Connectors](#) category:

Click to view products by [TE Connectivity](#) manufacturer:

Other Similar products are found below :

[647757-1](#) [6643411-1](#) [6646058-2](#) [6646137-1](#) [6646138-1](#) [6646479-1](#) [6646608-1](#) [6646786-1](#) [6646940-1](#) [6651091-1](#) [6651525-1](#) [6651529-1](#)
[6651788-1](#) [696475-1](#) [702-32-01109](#) [703-25-02205](#) [73000005059](#) [73000005642](#) [73080255059](#) [73080965046](#) [765-15-0080A](#) [765-16-0080B](#)
[765-18-0080D](#) [829992-1](#) [902-77-02113](#) [PS00/A0620/6300](#) [PS25/A0420/63](#) [129-1J](#) [1409400](#) [AN0024023](#) [E6374G1](#) [e6389g2](#) [157-43GW8](#)
[MS3117-14AC](#) [1643543-1](#) [1650540-1](#) [1651811-2](#) [1766260-1](#) [1766282-1](#) [1766966-1](#) [1791340000](#) [NLDFT-3-BL-L-S120-M40A](#) [NLDFT-N-](#)
[W-L-C240-M40B](#) [NLS-2-R-C240-M40B](#) [NLS-N-W-C240-M40B](#) [NPS-3-BL-T6](#) [1986615-1](#) [2-1589900-8](#) [2199314-1](#) [KA8102](#)