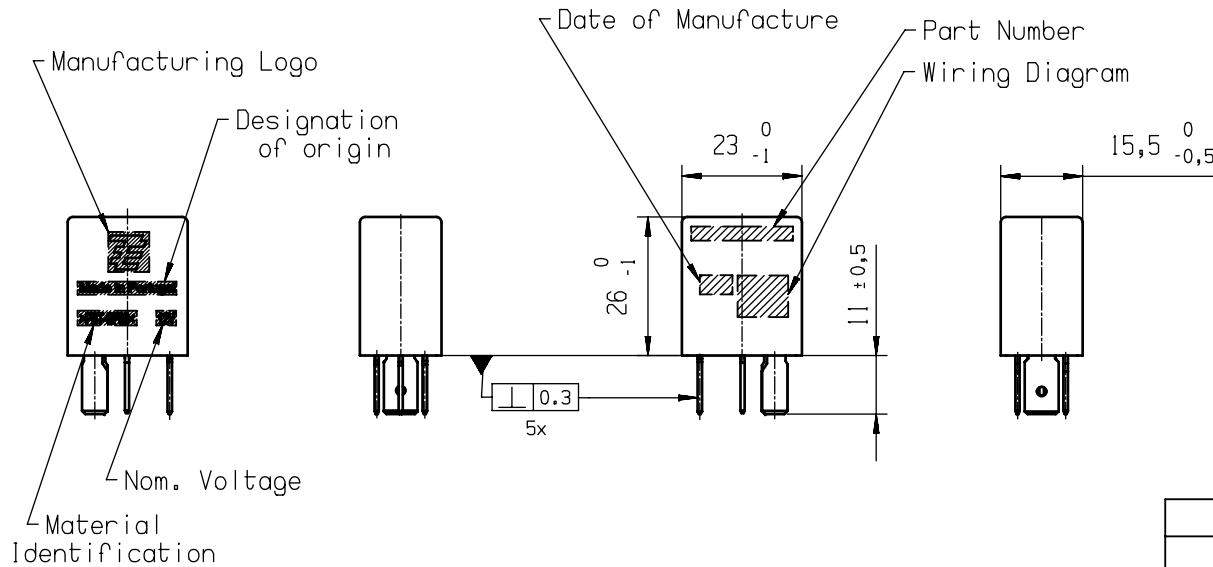


DEGREE OF PROTECTION ACC. TO IEC529 = DIN 40 050 Teil 9

TERMINALS IP 20
 HOUSING IP 5K4
 IN CONNECTION WITH A SOCKET HOUSING
 MOUNTING POSITION: TERMINALS SHALL POINT DOWNWARDS
 FOR ALL OTHER POSITIONS PROTECTION GROUP IP 20 IS VALID

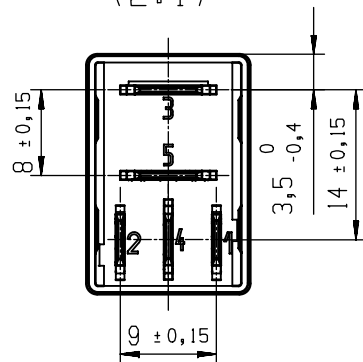


PART	MATERIAL	COLOUR
HOUSING	PBT 30 ± 10 [%] GF	BLACK
BASE PLATE	PBT 30 ± 10 [%] GF	GREY

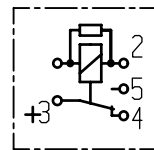
BLADE TERMINALS

- 1,2,4: BLADE TERMINAL ISO 8092 4,8-0,8-CuZn
- 5 : BLADE TERMINAL ISO 8092 6,3-0,8-CuZn
- 3 : BLADE TERMINAL ISO 8092 6,3-0,8-St3 LG BK, TIN PLATED

Terminal Configuration (2:1)



WIRING DIAGRAM

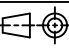



OBSOLETE BOSCH P/N		PART NUMBER	REV	REFERENCE NUMBER	CUSTOMER P/N	CODE NO
0 332 201 107		0-1904005-4		V23374-A1601-X008		
		1-1904005-4				
		2-1904005-4				
PROPRIETARY THE REPRODUCTION, TRANSMISSION OR USE OF THIS DOCUMENT OR IT'S CONTENTS IS NOT PERMITTED WITHOUT EXPRESSED WRITTEN AUTHORITY. OFFENDERS WILL BE LIABLE FOR ALL DAMAGES. ALL RIGHTS, INCLUDING RIGHTS CREATED BY REGISTERED PATENT(S) GRANTED FOR A UTILITY MODEL OR DESIGN, ARE RESERVED.				CHANGES TO THIS DRAWING MUST BE DONE ONLY IN CAD		PAPER SIZE A3
APPLICABLE SPEC.:				FINISH DIMENSIONS APPLY PLATING SCALE 1:1 WEIGHT apr. 20g		
		TOLERANCE UNLESS SPECIFIED OTHERWISE		DIMENSIONS IN MM		
		DATE NAME		PART NAME		
B1	ECO-19-017016	07NOV2019	HMF	DWN.	2006-05-23	P. Tomas
B	ECO-12-013330	19JUL2012	A.P.	APP.		
A5	ECO-09-020789	10SEP2009	A.P.	REV.		
A4	ECO-07-021329	2007-09-11	PTom	LOCATION	AMR PE EVORA	
A3	---	2006-09-29	---			
A2	---	2006-09-14	---			
A1	---	2006-08-31	---			
REV. CHANGE ORDER		DATE	APP.	MICRO RELAY 3 CHANGEOVER 12V		
DWG NO. V23374-A1601-X008-CD						SHT. 1 OF 2



Nominal voltage (load and excitation circuit)	12 V
Permissible operating voltage	8...16 V
Permissible ambient temperature	-40...100° C
Response voltage (at 20 ° C)	≤ 8 V
Release voltage (at 20 ° C)	≥ 0.5 V
Response time	≤ 10 ms
Release time	≤ 10 ms
Contact material	Silver based
Equivalent coil resistance	75± 6 Ω
Voltage drop at blade terminals at a measuring current of 10± 0.5 A	
At NO contact when new	Typically ≤ 50 mV, max. 300mV
At NO contact after specified number of switching operations	Typically ≤ 100 mV, max. 300mV
At NC contact when new	Typically ≤ 50 mV, max. 300mV
At NC contact after specified number of switching operations	Typically ≤ 200 mV, max. 300mV
Electrical endurance	
Resistive Load 30A on NO	≥ 100.000 cycles
Resistive Load 22A on NO	≥ 200.000 cycles
Resistive Load 10A on NC	≥ 100.000 cycles
Resistive Load 5A on NC	≥ 200.000 cycles

0 10 20 30 40 50 60 70 80 90 100

PROPRIETARY THE REPRODUCTION, TRANSMISSION OR USE OF THIS DOCUMENT OR IT'S CONTENTS IS NOT PERMITTED WITHOUT EXPRESSED WRITTEN AUTHORITY. OFFENDERS WILL BE LIABLE FOR ALL DAMAGES. ALL RIGHTS, INCLUDING RIGHTS CREATED BY REGISTERED PATENT(S) GRANTED FOR A UTILITY MODEL OR DESIGN, ARE RESERVED.				CHANGES TO THIS DRAWING MUST BE DONE ONLY IN CAD		PAPER SIZE A3	
APPLICABLE SPEC.:				FINISH			
TOLERANCE UNLESS SPECIFIED OTHERWISE				 DIMENSIONS IN MM		SCALE	
DIMENSIONS IN MM				PLATING		WEIGHT apr. 20g	
MATERIAL				PART NAME			
DATE NAME				MICRO RELAY 3 CHANGEOVER 12V			
B1 ECO-19-017016 07NOV2019 HMF DWN., 2006-05-23 P. Tomas				DWG NO.			
B ECO-12-013330 19JUL2012 A.P. APP.				V23374-A1601-X008-CD			
A5 ECO-09-020789 10SEP2009 A.P. REV.				SHT.			
A4 ECO-07-021329 2007-09-11 P.Tom LOCATION AMR PE EVORA				2			
A3 --- 2006-09-29 ---				OF 2			
A2 --- 2006-09-14 ---							
A1 --- 2006-08-31 ---							
REV. CHANGE ORDER		DATE		APP.			

X-ON Electronics

Largest Supplier of Electrical and Electronic Components

Click to view similar products for [Automotive Relays](#) category:

Click to view products by [TE Connectivity](#) manufacturer:

Other Similar products are found below :

[7-1414968-8](#) [7-1617345-6](#) [9-1617516-5](#) [G5CE1ASIDC12](#) [1393204-2](#) [1393302-3](#) [13Z99A115-0074](#) [1432872-1](#) [AR4-15F11-S01](#) [AR4-15H11](#)
[1617057-2](#) [1617058-6](#) [1617518-5](#) [2-1617057-2](#) [2-1617057-6](#) [2-1617058-3](#) [CB1F-M-12V-H15](#) [898H-1AH-D-001-12VDC](#) [AR4-11F11](#)
[AR4-15F11](#) [AR4-41F11](#) [24198-1](#) [4-1617057-0](#) [41FZ-200ACG-BSL](#) [5-1616920-2](#) [5-1617052-9](#) [5407-0011-HS](#) [CB1AF-M-12V-H59](#) [5-](#)
[1617346-8](#) [103-1AH-C-12VDC](#) [V23134A1052X299](#) [6-1393302-1](#) [897H-1AH-D-R1-U01-12VDC](#) [FTR-P3CP024W1-06](#) [1-1617057-8](#) [3-](#)
[1393305-1](#) [5436-0001-HS](#) [V23086-R1851-A502](#) [V23136-A0004-X075](#) [898H-1AH-D1SW-R1-12VDC](#) [RH4C1P2607](#) [RE031005](#)
[V23134M0052G242](#) [1393204-1](#) [23234B0001X001-EV-144](#) [AZ979-1A-24D](#) [2-1904020-1](#) [V23134B0052C642](#) [V23134B0053C642](#) [V23234-](#)
[A1001-X036](#)