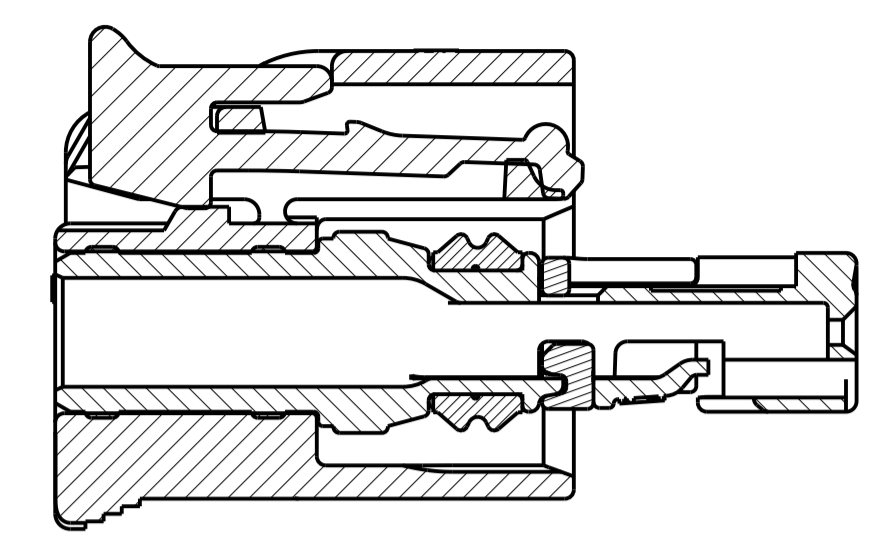
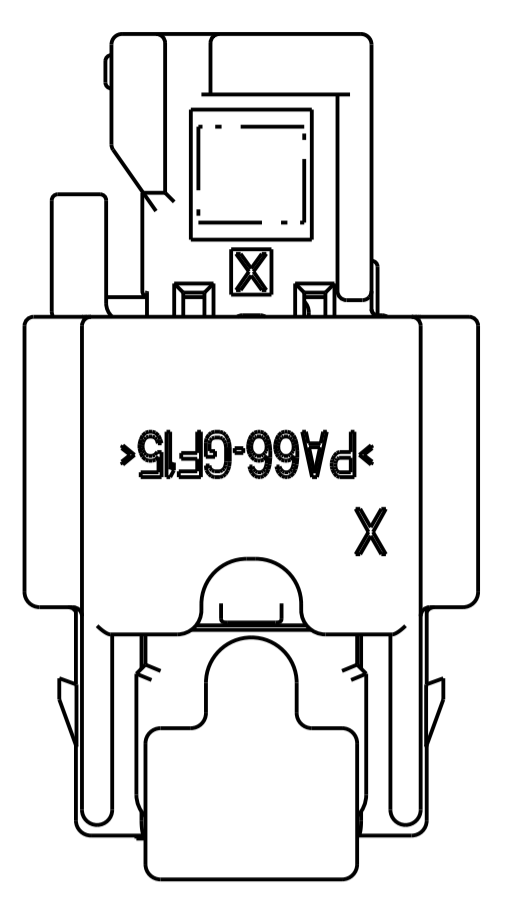
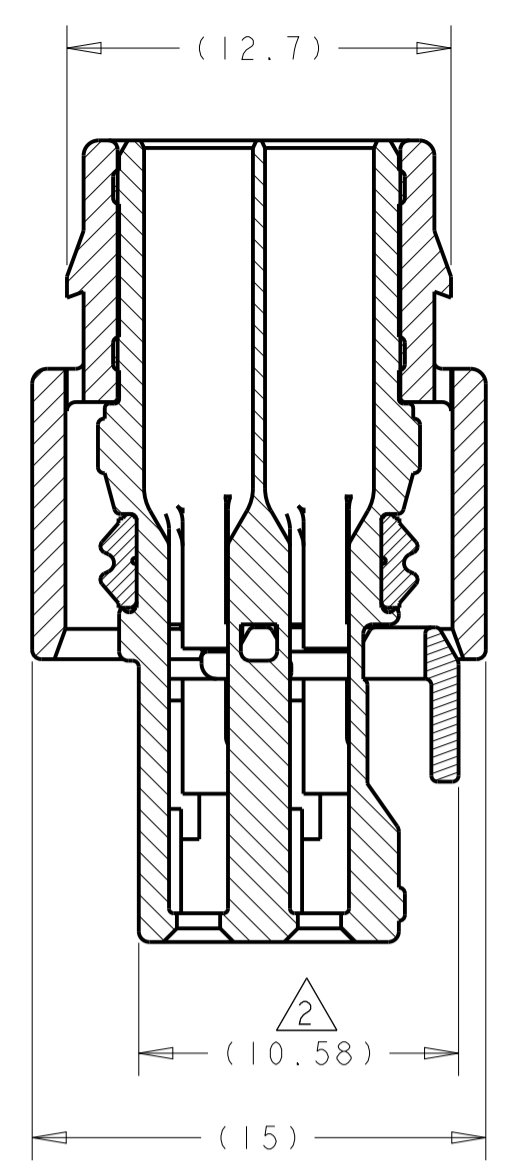


| REVISIONS | | | | | |
|-----------|-----|---------------------------|-----------|-----|------|
| P. | LTM | DESCRIPTION | DATE | DWN | APVD |
| B6 | | REVISED PER ECO-14-014610 | 26SEP2014 | DLD | SLM |
| B7 | | REVISED PER ECO-20-002101 | 17FEB2020 | JMS | S1 |
| B8 | | REVISED PER ECO-20-012882 | 14OCT2020 | SM | S1 |
| B9 | | REV PER ECO-21-004755 | 22APR2021 | RGV | S1 |

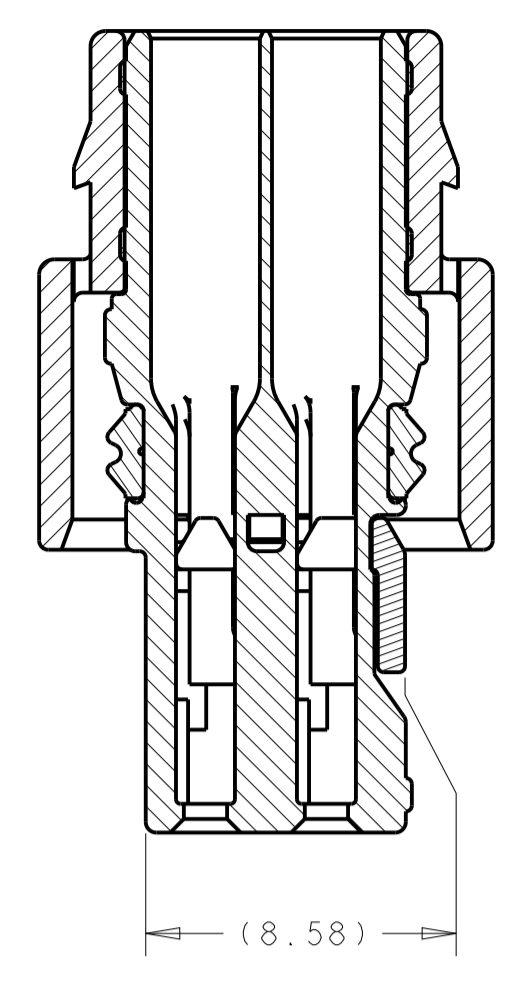
- PART NUMBER 1-1924067-9 SHOWN ON DRAWING.
- TPA AND CPA (WHEN APPLICABLE) ARE SHIPPED IN THEIR PRE-LATCHED POSITIONS. SEE INSTRUCTION SHEET 408-8968 FOR DIRECTIONS ON MOVING THE CPA AND TPA TO THE PRE-LATCHED POSITION, IF NECESSARY.
- TERMINALS SOLD SEPARATELY. FOR USE WITH TE MCON 1.2mm CLEAN BODY CONTACT WITH WIRE SEAL. SEE TE MCON 1.2-CB (CLEAN BODY) TABLE FOR APPLICABLE PART NUMBERS.
- APPLICABLE HEADER INTERFACE DRAWING 114-18679-3 IS AVAILABLE UPON REQUEST. A COPY OF THIS DRAWING CAN BE OBTAINED FROM THE TYCO ELECTRONICS PRODUCT MANAGER, VIA YOUR TE CONNECTIVITY SALES REPRESENTATIVE OR CUSTOMER SERVICE.
- MINIMUM FEED THROUGH CONDITION WITH 1.0mm CLEARANCE ALL AROUND.
- TRACEABILITY PRINTED IN THIS LOCATION AT ASSEMBLY.
- NOTE LEFT BLANK INTENTIONALLY.
- PART NUMBERS 1924067-7, -8, 1-7, 1-8 INNER HOUSING ARE ASSEMBLED 180°.
- PROTOTYPE ASSEMBLIES USE GERMAN OUTER HOUSING P/N: 1718648-1, CPA P/N: 1670193-1 AND SEAL P/N: 1718650-1.
- NOTE DELETED
- TPA ENGAGE FORCE: PRESET TO FULL ≥ 2 N AND ≤ 60 N.
- TPA DISENGAGE FORCE: DISENGAGE FROM FULL TO PRESET ≥ 2 N AND ≤ 60 N.
- CPA ENGAGE FORCE: PRESET TO FULL WITHOUT CONNECTORS MATED ≥ 40 N.
- CPA ENGAGE FORCE: PRESET TO FULL WITH CONNECTORS MATED < 30 N.
- POLARIZATION FEATURE EFFECTIVENESS:
CONNECTOR MATED TURNED 180° NO MATING > 125 N.
WRONG KEYING NO MATING > 125 N.
- VALIDATED UP TO USCAR TEMPERATURE CLASS III.
- SEE INSTRUCTION SHEET 408-8928.
- REFERENCE SHEET 2 FOR ISOMETRIC VIEWS.
- TERMINAL 1670146-x REPLACES 1418847-x
- ACTUAL BASE MATERIAL IS PA66 GF13%. THIS MATERIAL HAS A TOLERANCE OF $\pm 2\%$ BY FORMULATION. MARKING SHOWN ON DRAWING IS BASED ON MAX GLASS FILL (GF) % ALLOWED BY THE FORMULATION. NA MANUFACTURING REGION WILL IMPRINT THE MAX GLASS FILLED ALLOWANCE. THE CHINA MANUFACTURING REGION WILL IMPRINT THE NOMINAL GLASS FILLED ALLOWANCE.
- DUE TO VARIATION IN MOLD DESIGN, SOME NON-FUNCTIONAL FEATURES OF THE ASSEMBLY MAY VARY FROM WHAT IS SHOWN ON THE DRAWING. FORM, FIT, FUNCTION ARE NOT IMPACTED.



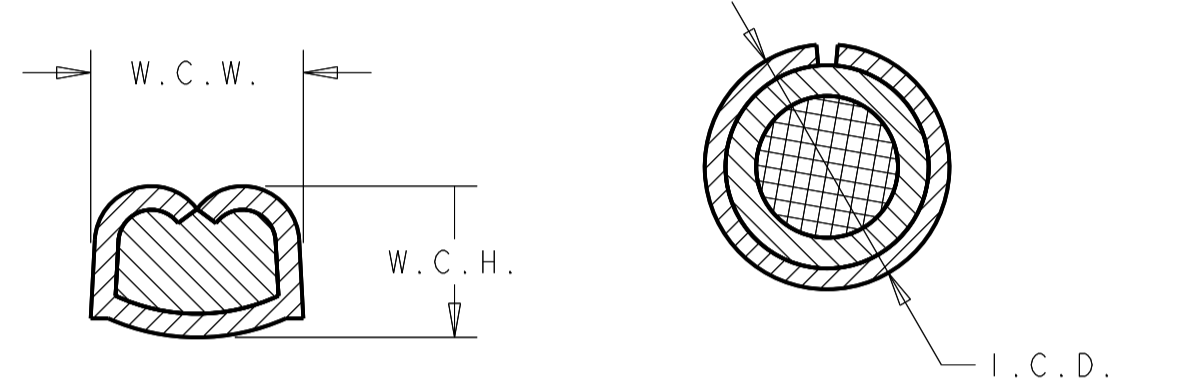
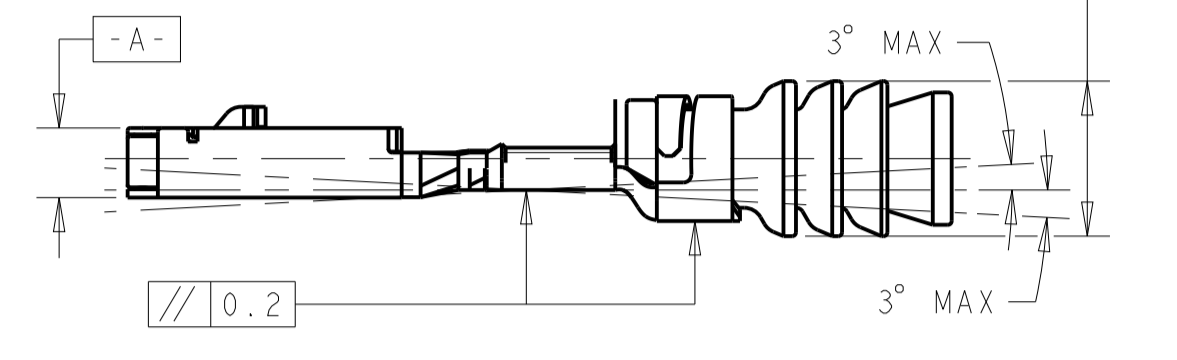
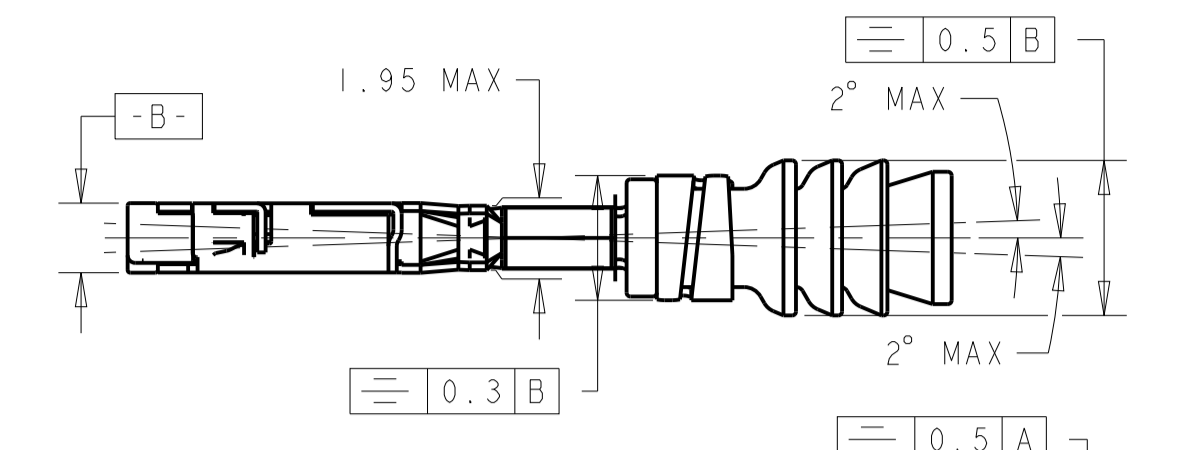
SECTION B-B
SHOWN WITH CPA (WHEN APPLICABLE)
IN IT'S LATCHED POSITION
FOR REFERENCE ONLY



SECTION A-A

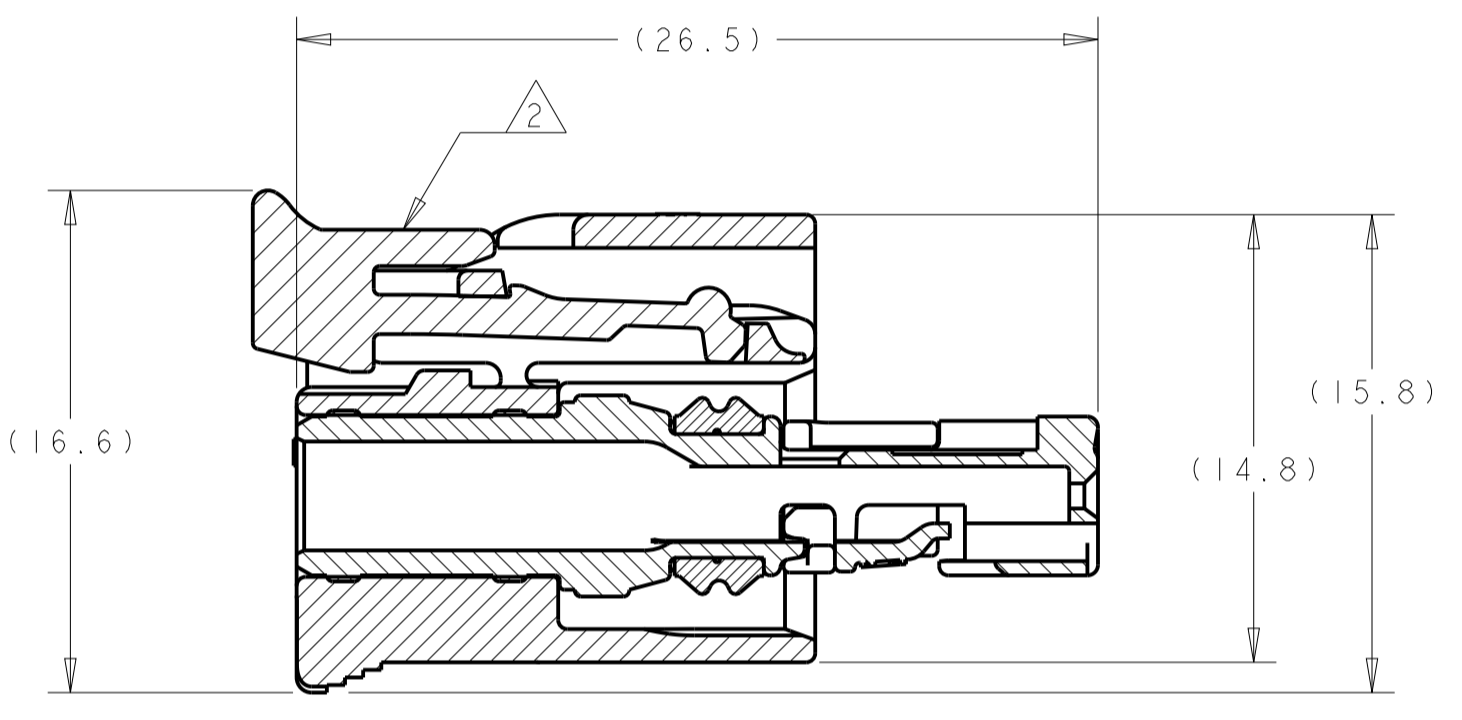


SECTION A-A
SHOWN WITH TPA
IN IT'S LATCHED POSITION
FOR REFERENCE ONLY

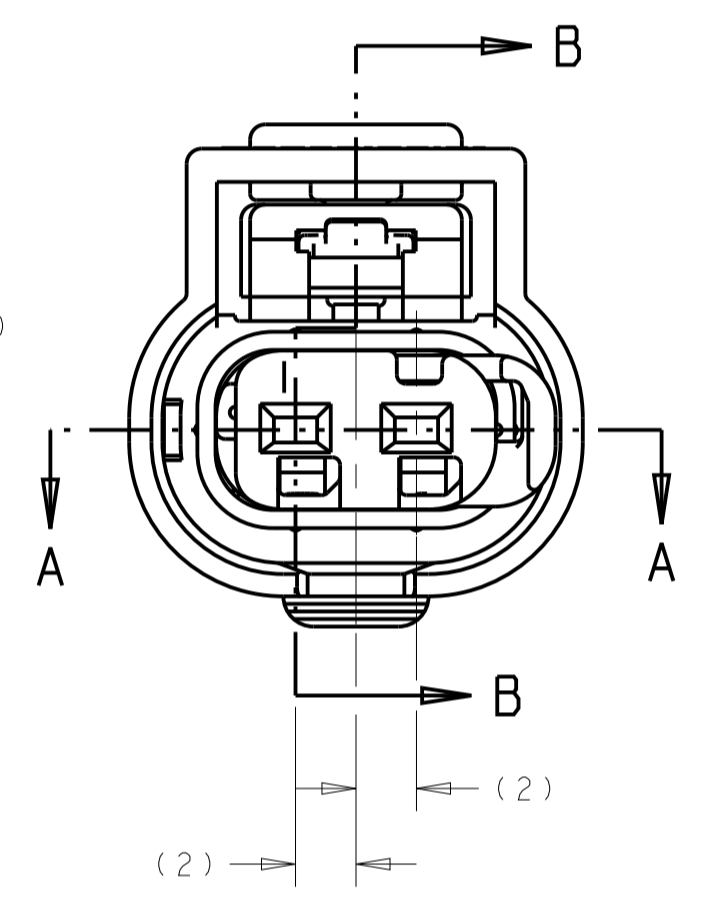


WIRE CRIMP DIMENSIONS

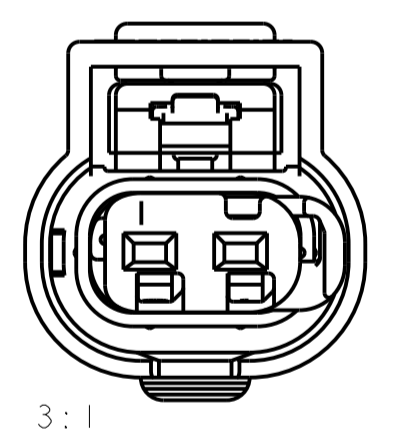
INSULATION CRIMP DIMENSIONS



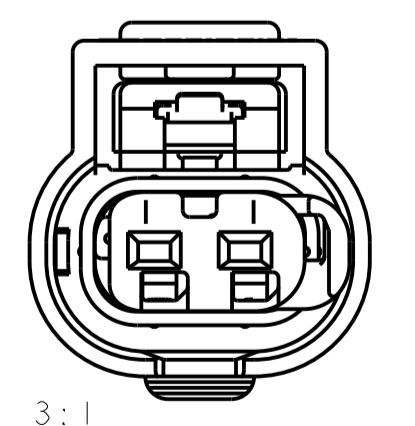
SECTION B-B



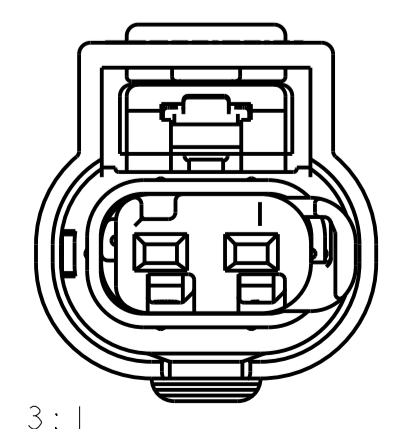
KEYING CONFIGURATIONS



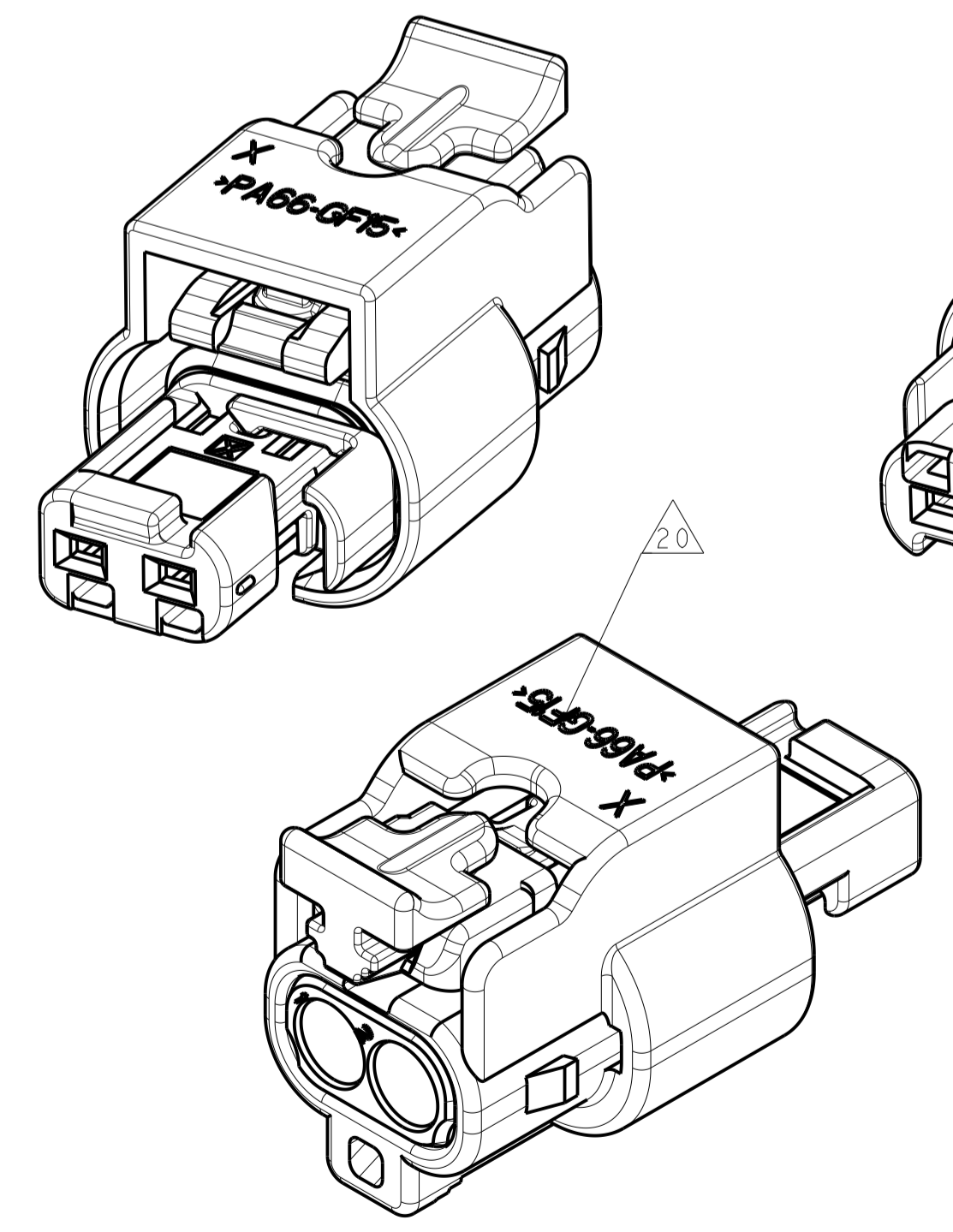
SCALE 3:1
KEYING OPTION A



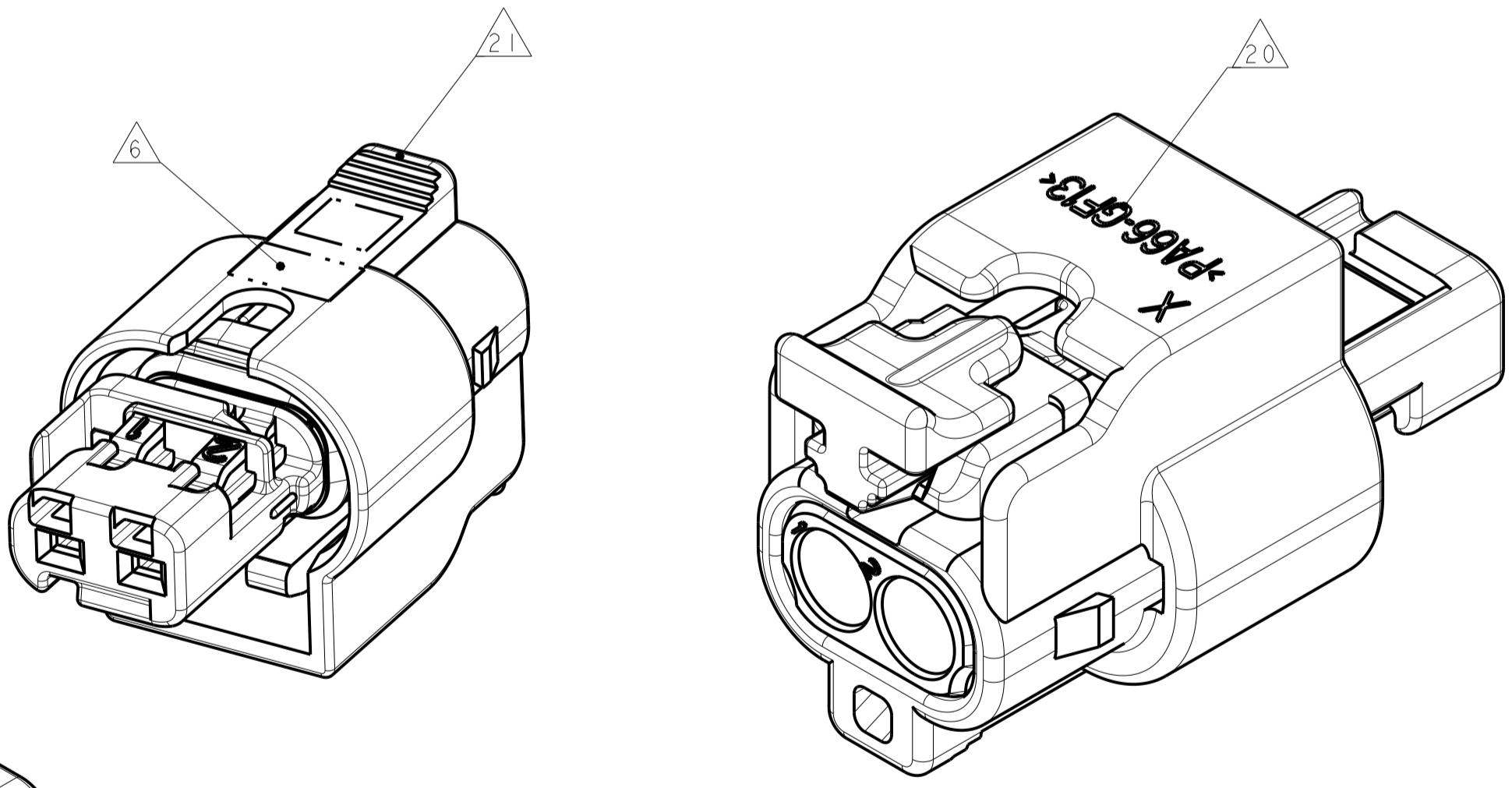
SCALE 3:1
KEYING OPTION B



SCALE 3:1
KEYING OPTION C



NORTH AMERICA MANUFACTURING REGION
ISOMETRIC VIEWS
1-1924067-9



CHINA MANUFACTURING REGION
ISOMETRIC VIEWS
1-1924067-9

| TE MCON 1.2-CB (CLEAN BODY) | | | | | | | | |
|-----------------------------|---------|-------------------|-----|-------------|-------------|-------------|-------------|-----------------------|
| PART NUMBER | PLATING | WIRE STRIP LENGTH | AWG | INSL. RANGE | W.C.H. | W.C.W. | I.C.D. | WIRE SEAL PART NUMBER |
| 1418844-3 | SILVER | | | 1.2 TO 1.4 | 0.86 ± 0.03 | 1.27 ± 0.05 | 3.15 ± 0.05 | 967067-2 |
| 1418844-2 | GOLD | 3.3 ± 0.3 | 22 | | | | | |
| 1418844-1 | TIN | | | 1.4 TO 1.9 | 0.84 ± 0.03 | 1.57 ± 0.05 | 3.25 ± 0.05 | 967067-1 |
| 1670146-3 | SILVER | | | | | | | |
| 1670146-2 | GOLD | 3.6 ± 0.3 | 20 | | | | | |
| 1670146-1 | TIN | | | | | | | |
| 1418850-3 | SILVER | | | 1.8 TO 2.4 | 1.11 ± 0.05 | 1.31 ± 0.05 | | |
| 1418850-2 | GOLD | 3.6 ± 0.3 | | | 1.11 ± 0.05 | 1.78 ± 0.05 | 3.35 ± 0.05 | 964972-1 |
| 1418850-1 | TIN | | | | 1.31 ± 0.05 | | | |

| RELEASED | RED | 2138907-1 | BLUE | C | 4-1924067-3 |
|----------|--------|-----------|---------|---|-------------|
| RELEASED | RED | 2138907-1 | NATURAL | B | 4-1924067-2 |
| RELEASED | RED | 2138907-1 | BLACK | A | 4-1924067-1 |
| RELEASED | VIOLET | 1989913-2 | BLUE | C | 2-1924067-1 |
| RELEASED | VIOLET | 1989913-2 | NATURAL | B | 2-1924067-0 |
| RELEASED | VIOLET | 1989913-2 | BLACK | A | 1-1924067-9 |
| RELEASED | RED | 1488787-1 | BLACK | A | 1-1924067-8 |
| RELEASED | - | - | BLACK | A | 1-1924067-7 |
| RELEASED | RED | 1488787-1 | BLUE | C | 1-1924067-6 |
| RELEASED | RED | 1488787-1 | NATURAL | B | 1-1924067-5 |
| RELEASED | RED | 1488787-1 | BLACK | A | 1-1924067-4 |
| RELEASED | - | - | BLUE | C | 1-1924067-3 |
| RELEASED | - | - | NATURAL | B | 1-1924067-2 |
| RELEASED | - | - | BLACK | A | 1-1924067-1 |

| STATUS | COLOR | PART NO | COLOR | KEY | PART NUMBER |
|------------|-------|---------|-------|-----|-------------|
| 9 OBSOLETE | | | | | 1924067-8 |
| 9 OBSOLETE | | | | | 1924067-7 |
| 9 OBSOLETE | | | | | 1924067-6 |
| 9 OBSOLETE | | | | | 1924067-5 |
| 9 OBSOLETE | | | | | 1924067-4 |
| 9 OBSOLETE | | | | | 1924067-3 |
| 9 OBSOLETE | | | | | 1924067-2 |
| 9 OBSOLETE | | | | | 1924067-1 |

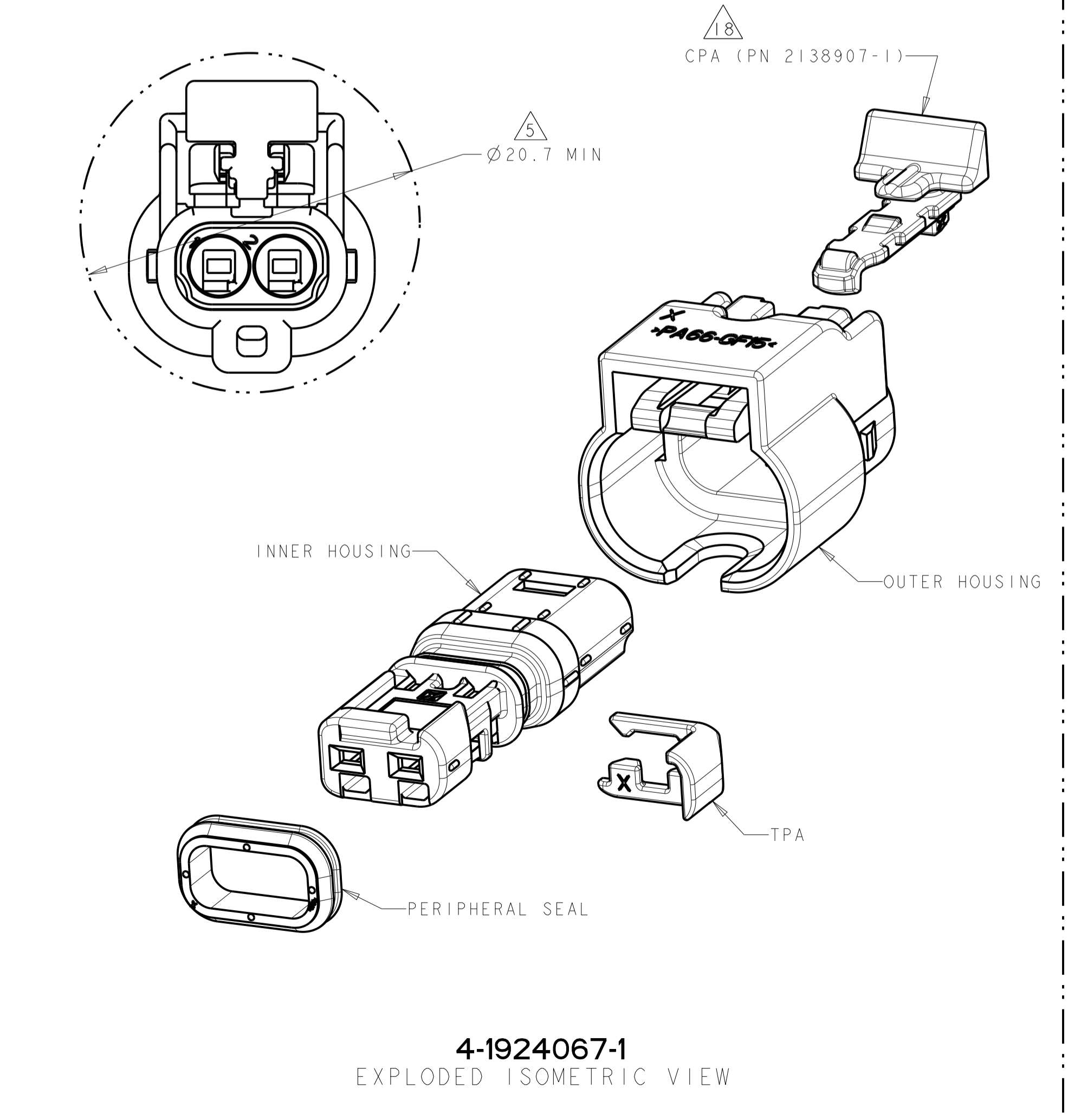
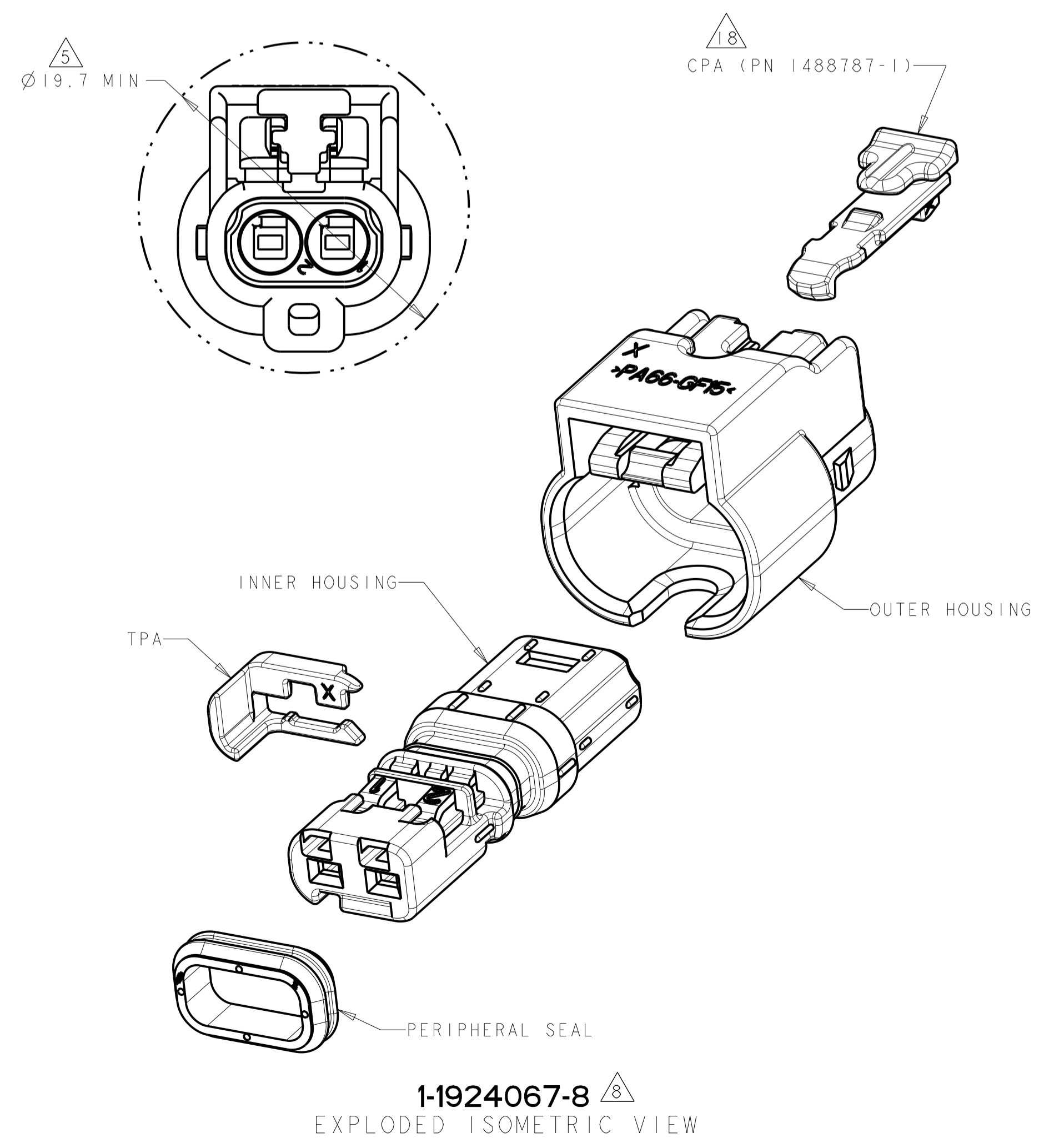
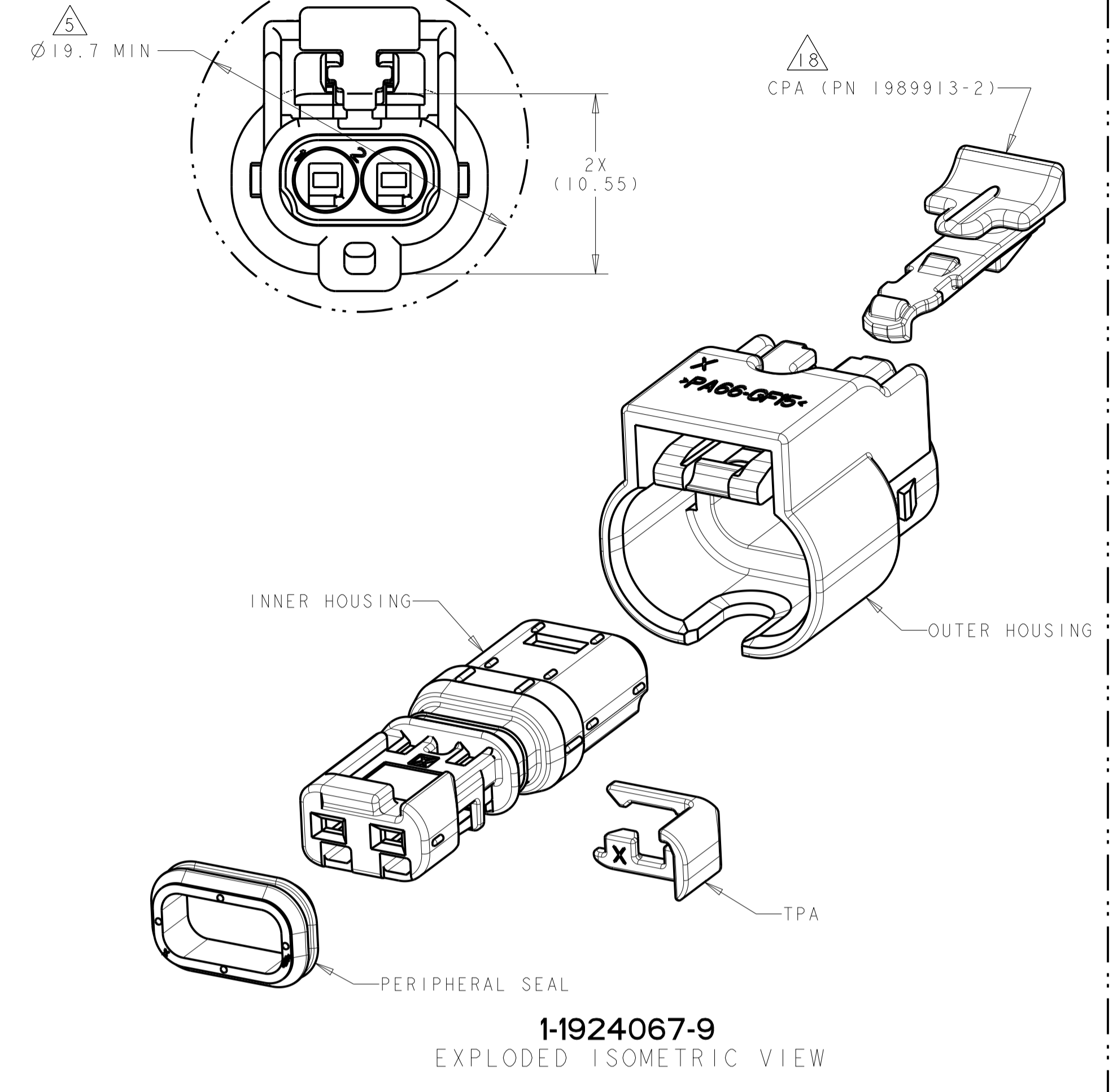
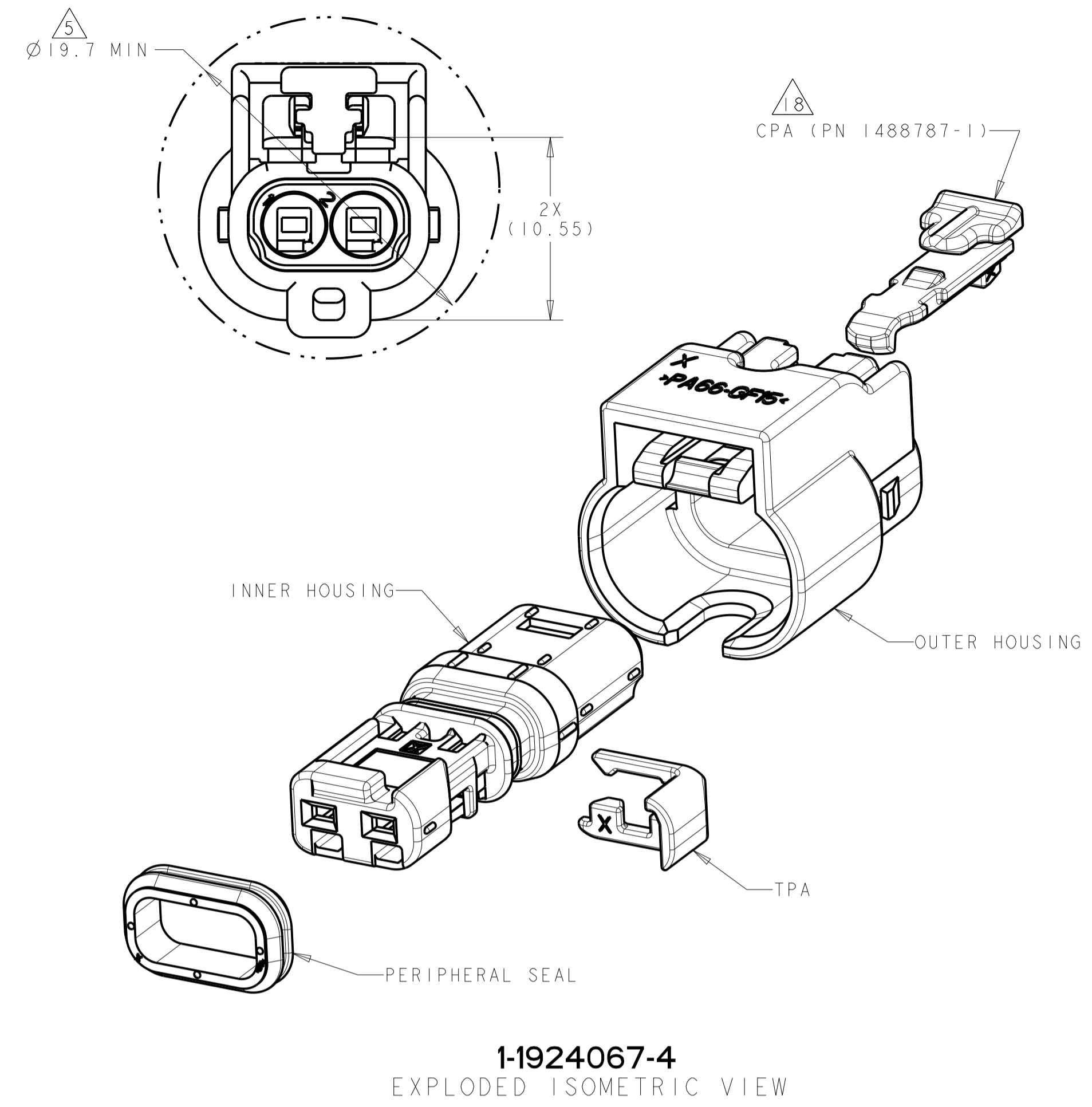
THIS DRAWING IS A CONTROLLED DOCUMENT.

TE Connectivity

CONNECTOR ASSEMBLY, FEMALE, 2 POSITION SEALED, 1.2mm STANDARD LATCH VERSION

SCALE 4:1 SHEET 1 OF 2 REV B9

| REVISIONS | | | | |
|-----------|-----|-------------|------|------|
| P. | LTN | DESCRIPTION | DATE | APVD |
| - | - | SEE SHEET 1 | - | - |
| | | | | |
| | | | | |



| | | | |
|--|--|---------------------------|---|
| THIS DRAWING IS A CONTROLLED DOCUMENT. | | OWN: M. FORISKA 25SEP2006 | TE TE Connectivity |
| DIMENSIONS: mm | | CHK: G. MARTIN 25SEP2006 | |
| TOLERANCES UNLESS OTHERWISE SPECIFIED: | | APVD: G. MARTIN 25SEP2006 | NAME: CONNECTOR ASSEMBLY, FEMALE, 2 POSITION SEALED, 1.2mm STANDARD LATCH VERSION |
| 0 PLC ±0.3 | | PRODUCT SPEC | |
| 2 PLC ±0.10 | | APPLICATION SPEC | SIZE: CAGE CODE DRAWING NO |
| 3 PLC ±0.10 | | FINISH: ±0.1* | RESTRICTED TO |
| 4 PLC ±0.10 | | WEIGHT: 2.07g | A 00779 C=1924067 |
| ANGLES | | CUSTOMER DRAWING | SCALE: 4:1 SHEET 2 OF 2 REV: B9 |

X-ON Electronics

Largest Supplier of Electrical and Electronic Components

Click to view similar products for [Automotive Connectors](#) category:

Click to view products by [TE Connectivity](#) manufacturer:

Other Similar products are found below :

[003-018-000](#) [60403001](#) [60993906-B](#) [M902-2131](#) [M902-2161](#) [M902-2344](#) [72.330.1035.1](#) [73.353.4028.0](#) [F119300-B](#) [F166900](#) [F258300-B](#)
[F358300-B](#) [F407400](#) [F444110](#) [F487000](#) [F509500B-B](#) [827153-1](#) [8N1515-32-24P](#) [9-1326729-8](#) [925474-1](#) [928905-1](#) [964562-4](#) [968782-1](#)
[GT17SA-8DS-HU](#) [98891-1012](#) [98947-1016](#) [12004147](#) [12004475-L](#) [12010290](#) [12010309-B](#) [12015454](#) [12020219-B](#) [12041318-B](#) [12052225-](#)
[L](#) [12052466](#) [12064869](#) [12004327-B](#) [12015308](#) [12015384](#) [12015909](#) [1-21030-1](#) [12041254](#) [12041318](#) [12047946-B](#) [12047957](#) [12047957-L](#)
[12059473](#) [12066261](#) [12110546](#) [12110546-B](#)