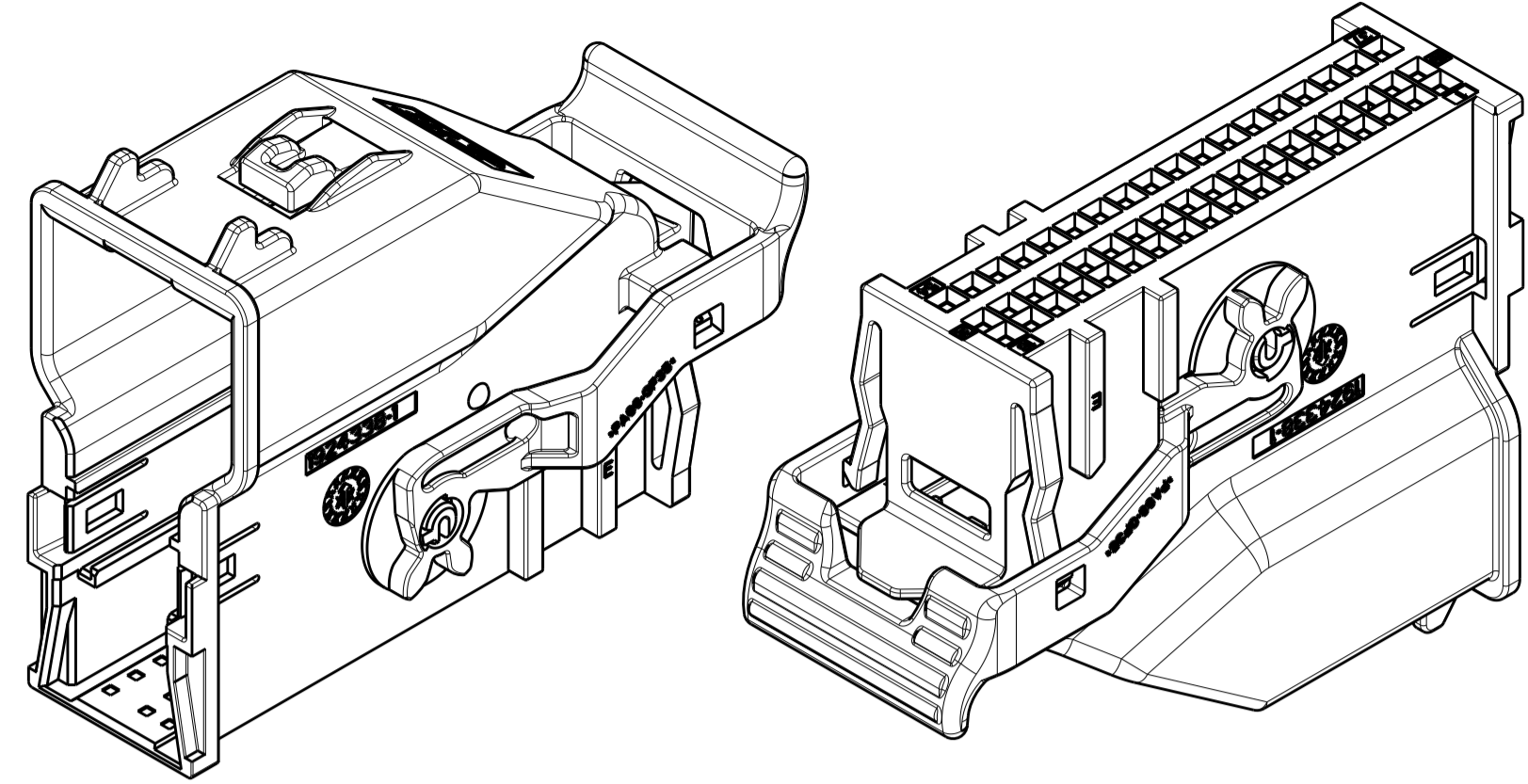
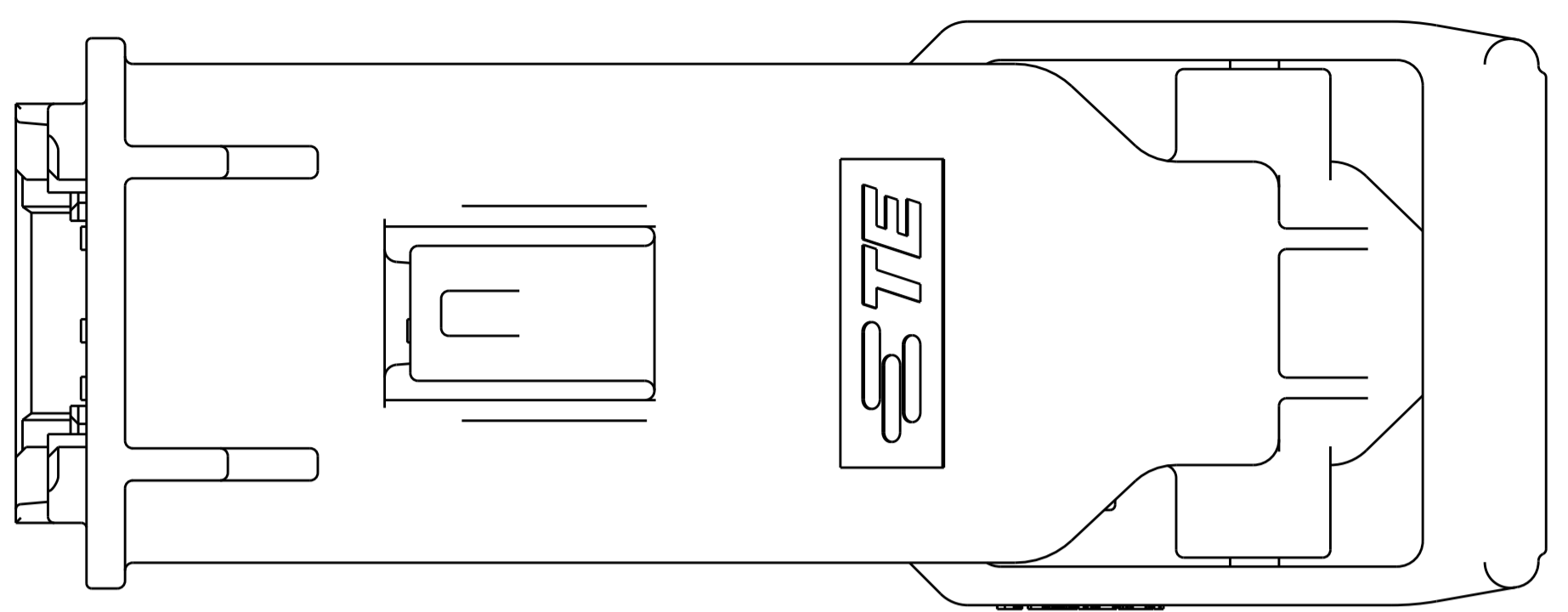


REVISIONS					
P.	LTN	DESCRIPTION	DATE	OWN	APP'D
A2		REVISED PER ECO-10-001736	27JAN2010	DLD	CJS
A3		REVISED PER ECO-16-000111	05JAN2016	DLD	CJS

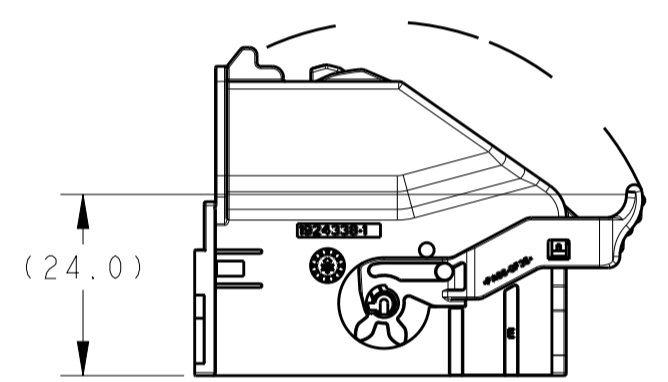
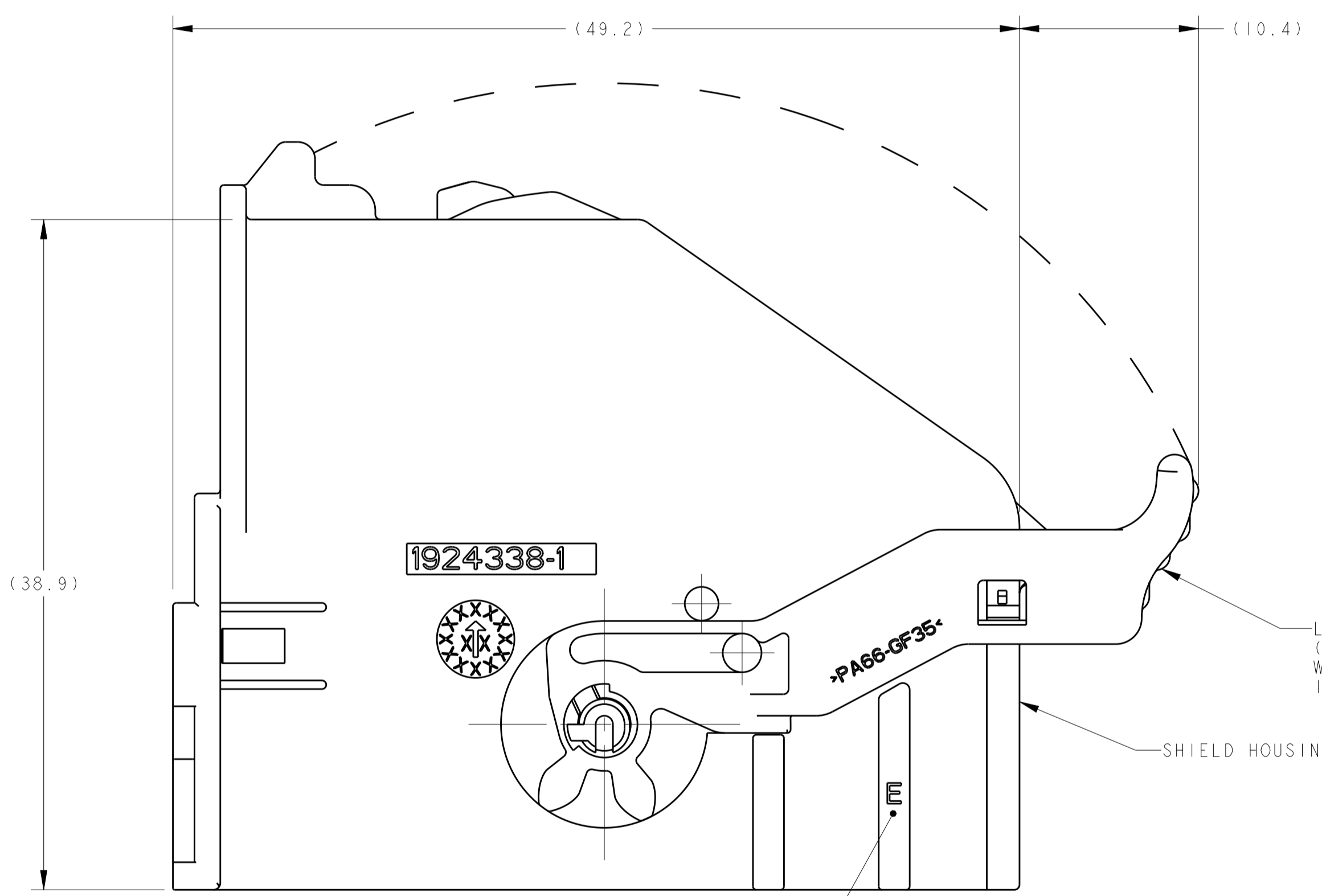
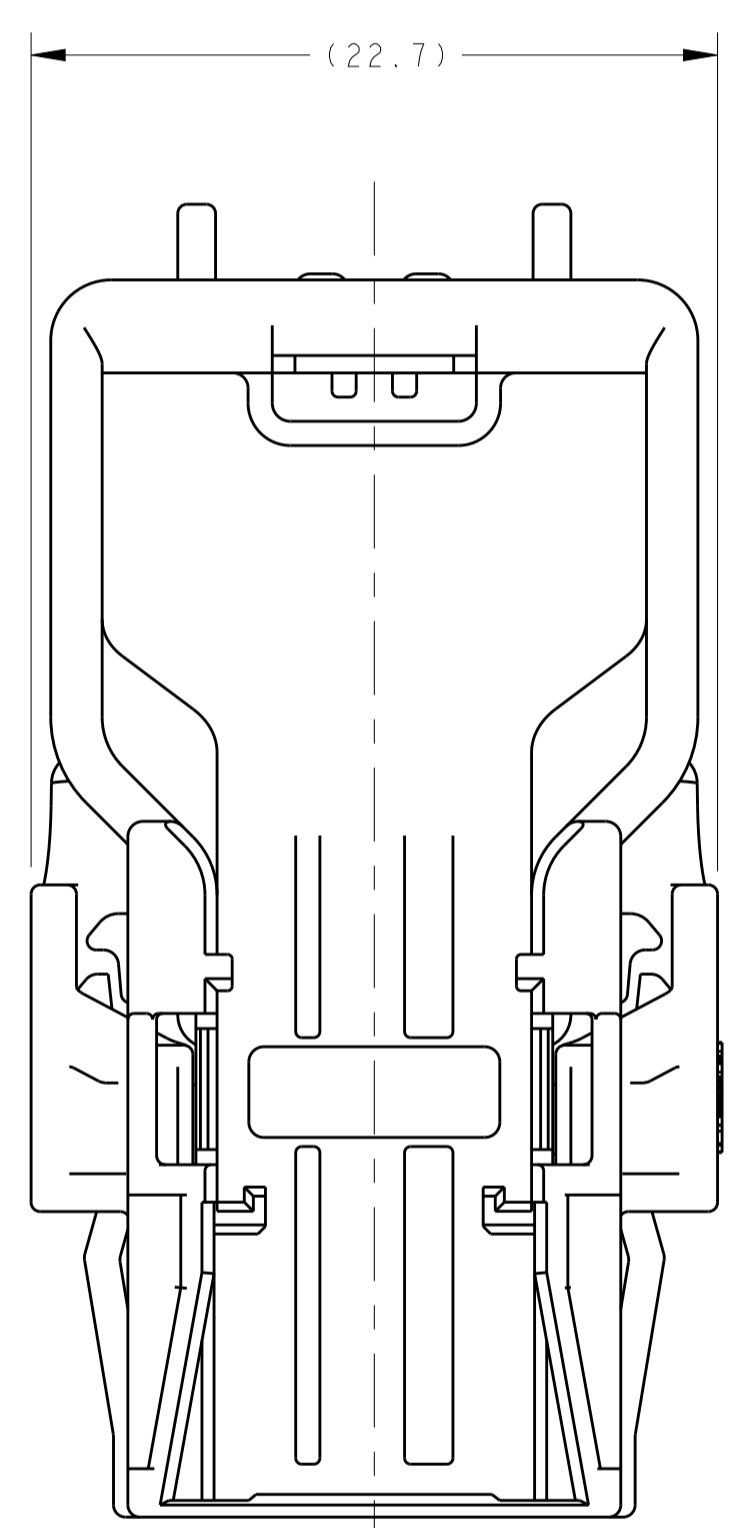


ISOMETRIC VIEWS
SCALE 2:1



△ MATERIAL: SHIELD HOUSING: NYLON 6/6, COLOR - SEE TABLE.
 LEVER: NYLON 6/6, COLOR: GRAY.

2. SHIELD ASSEMBLY ACCEPTS ASSEMBLED TYCO ELECTRONICS CARRIER PART NUMBERS 1924340-1 & 1924341-1. 1924340-1 & 19243341-1 MUST BE ASSEMBLED TOGETHER BEFORE INSERTING INTO SHIELD ASSEMBLY.



LEVER IN MATED POSITION
SHOWN FOR REFERENCE ONLY
SCALE 1:1

STATUS	SHIELD HOUSING COLOR	WIRE EXIT	WIRE EXIT ANGLE	KEYING	KEYING OPTION	PART NUMBER
PRELIMINARY - NOT RELEASED FOR PRODUCTION	TBD					PER DETAIL AF A-F 1-1924337-6
PRELIMINARY - NOT RELEASED FOR PRODUCTION	TBD					PER DETAIL CD C-D 1-1924337-5
PRELIMINARY - NOT RELEASED FOR PRODUCTION	TBD					PER DETAIL BF B-F 1-1924337-4
RELEASED	BLACK					PER DETAIL AE A-E 1-1924337-3
PRELIMINARY - NOT RELEASED FOR PRODUCTION	TBD					PER DETAIL AF A-F 1-1924337-2
PRELIMINARY - NOT RELEASED FOR PRODUCTION	TBD					PER DETAIL CD C-D 1-1924337-1
PRELIMINARY - NOT RELEASED FOR PRODUCTION	TBD					PER DETAIL BF B-F 1-1924337-0
PRELIMINARY - NOT RELEASED FOR PRODUCTION	TBD					PER DETAIL AE A-E 1924337-9
PRELIMINARY - NOT RELEASED FOR PRODUCTION	TBD					PER DETAIL AF A-F 1924337-8
PRELIMINARY - NOT RELEASED FOR PRODUCTION	TBD					PER DETAIL CD C-D 1924337-7
PRELIMINARY - NOT RELEASED FOR PRODUCTION	TBD					PER DETAIL BF B-F 1924337-6
PRELIMINARY - NOT RELEASED FOR PRODUCTION	TBD					PER DETAIL AE A-E 1924337-5
PRELIMINARY - NOT RELEASED FOR PRODUCTION	TBD					PER DETAIL AF A-F 1924337-4
RELEASED	BLUE					PER DETAIL CD C-D 1924337-3
RELEASED	GRAY					PER DETAIL BF B-F 1924337-2
RELEASED	BLACK					PER DETAIL AE A-E 1924337-1

THIS DRAWING IS A CONTROLLED DOCUMENT. DWN: H. FOLTZ 15FEB2007
 CHK: G. MARTIN 16FEB2007
 AP'D: G. MARTIN 16FEB2007

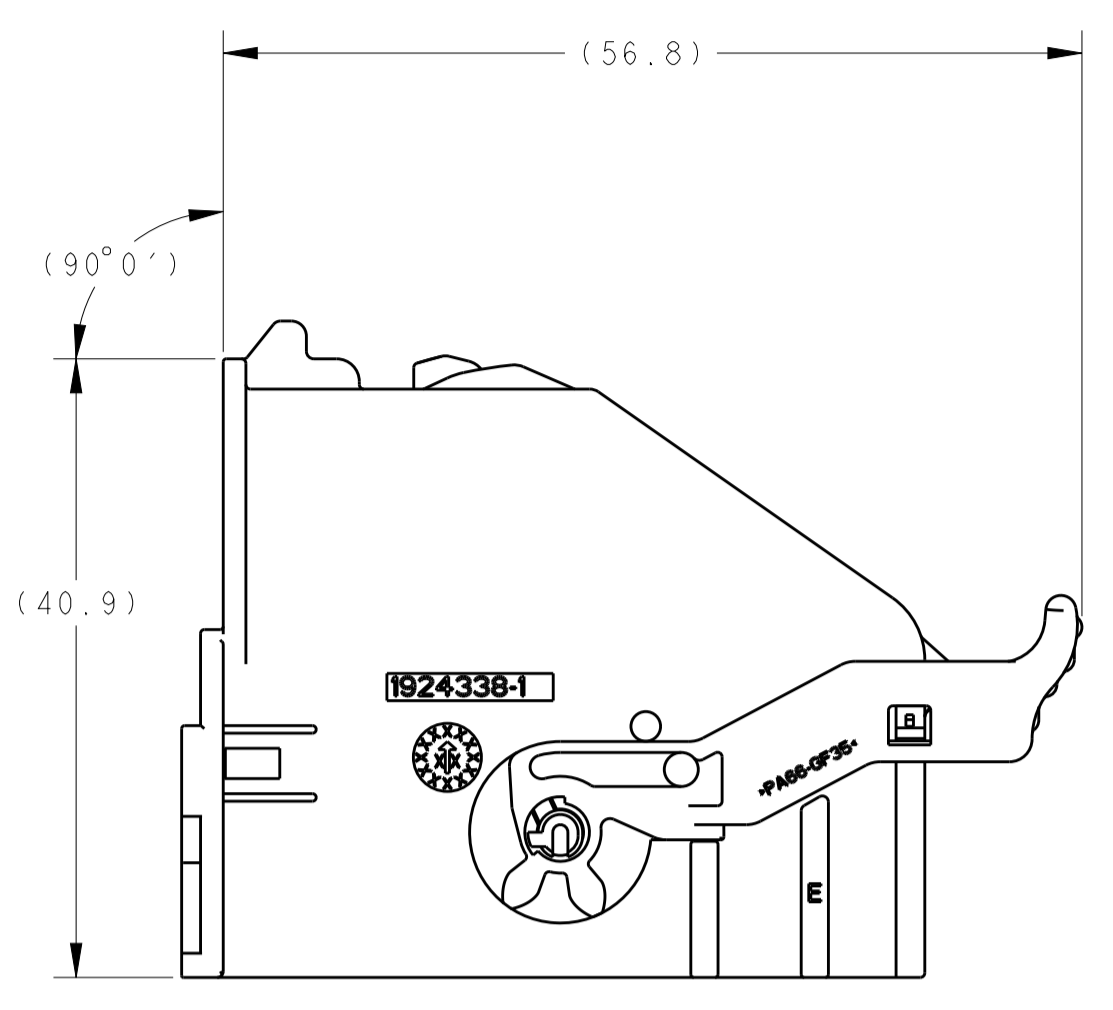
STE TE Connectivity

NAME: SHIELD ASSEMBLY, 54 POSITION, 0.64mm GENERATION Y, CONNECTOR

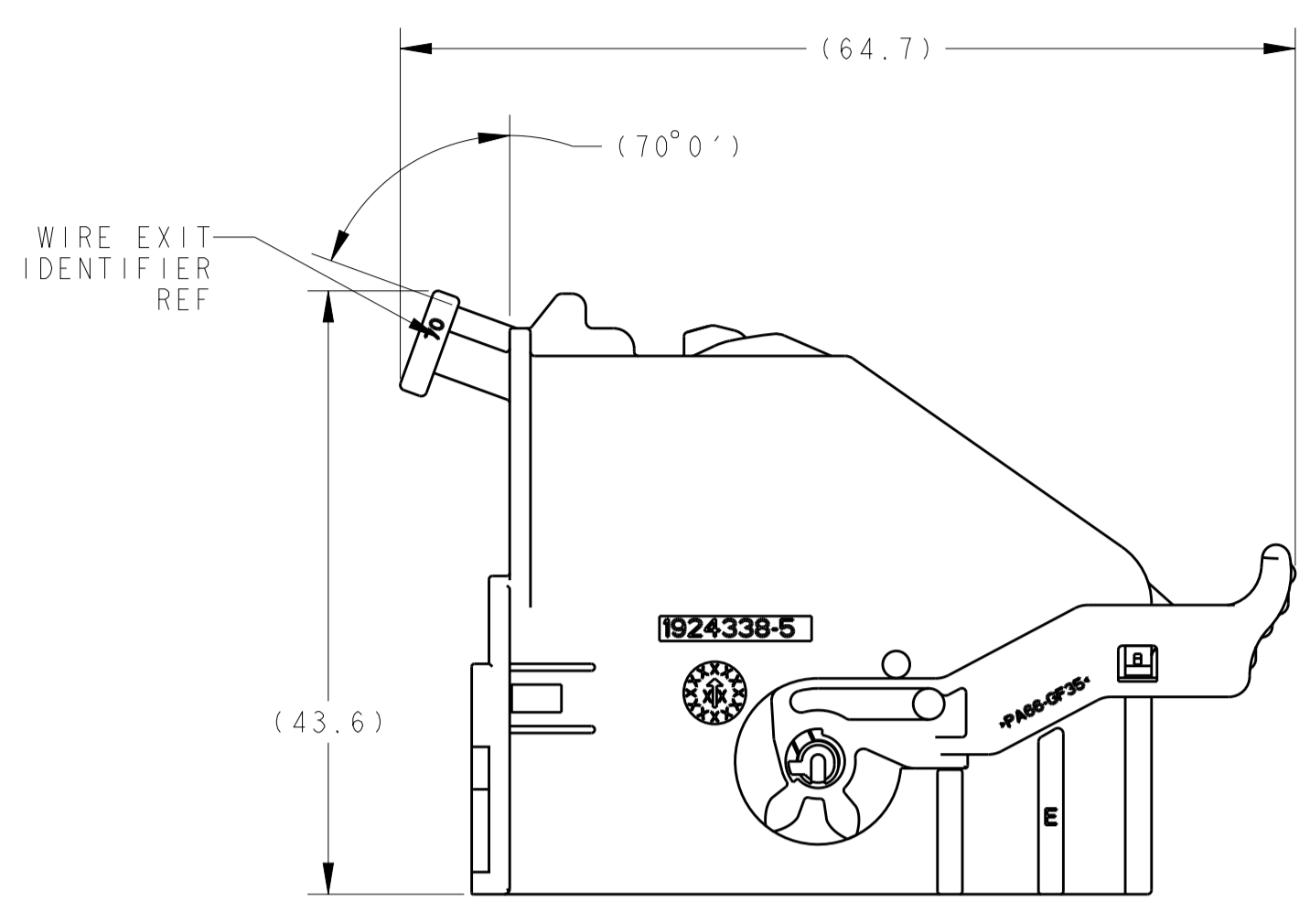
SIZE: A1 100779 C=1924337

CUSTOMER DRAWING SCALE: 1:1 SHEET 1 OF 2 REV: A3

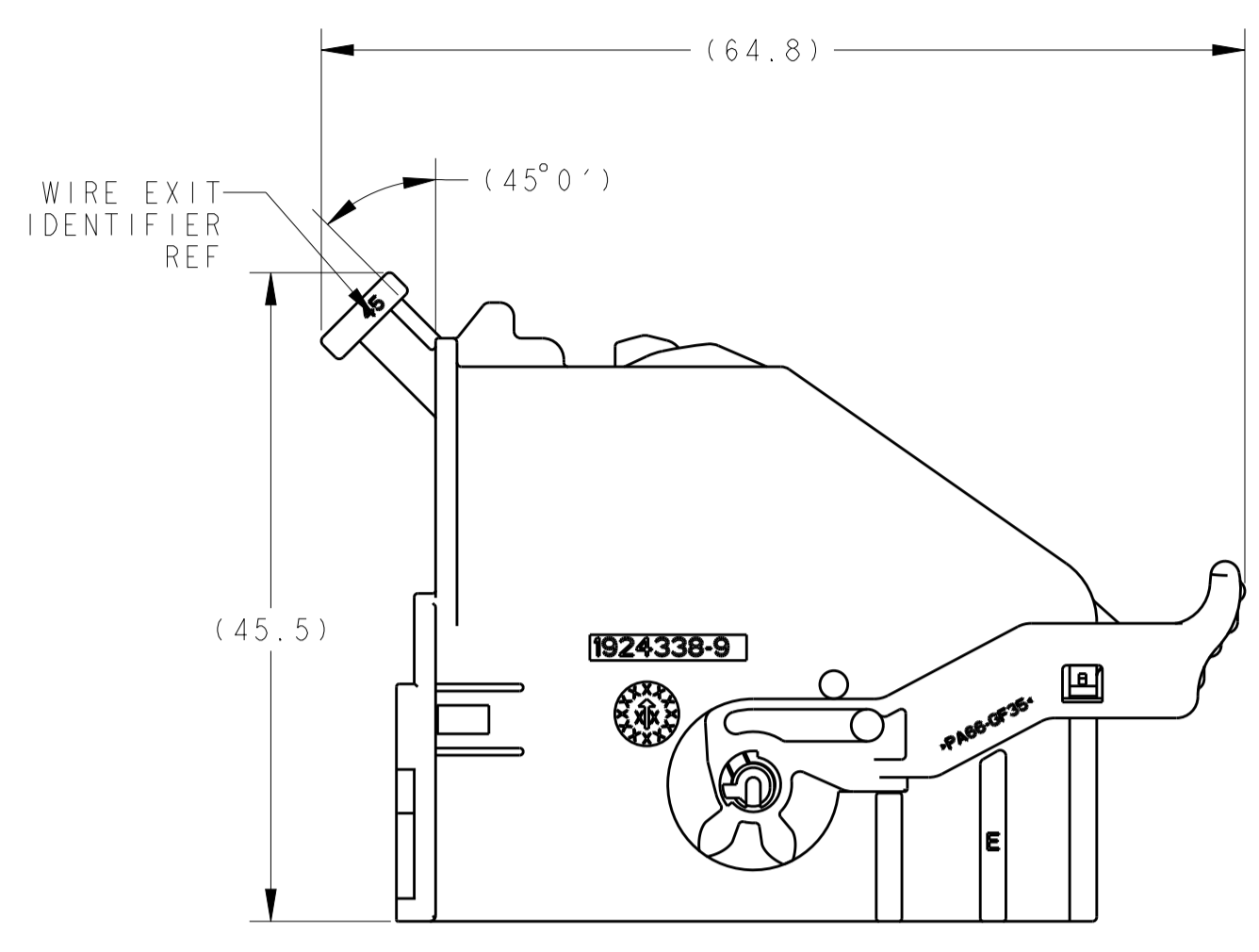
REVISIONS				
P.	LTN.	DESCRIPTION	DATE	OWN. / APVD.
-	-	SEE SHEET 1	-	-



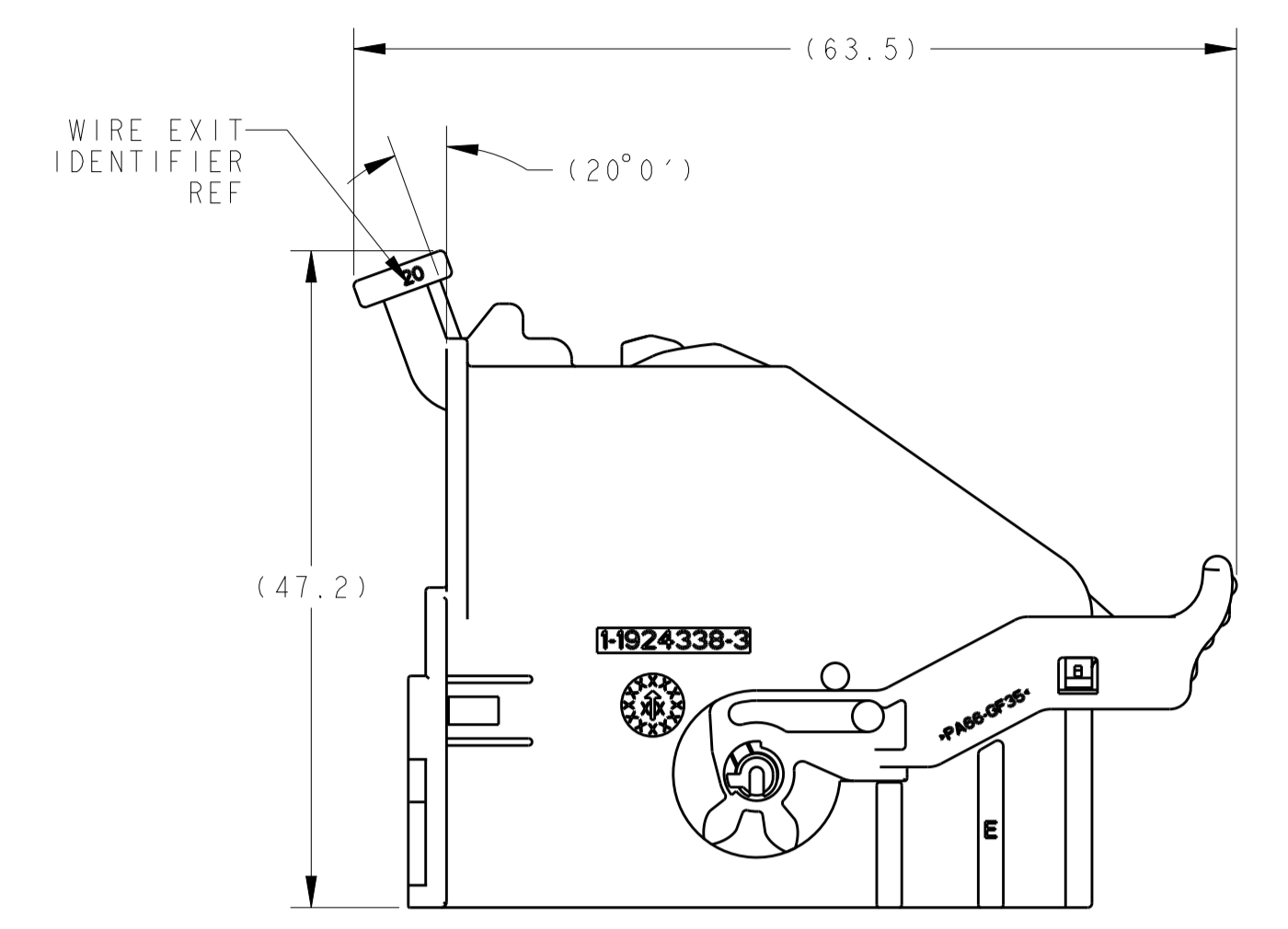
DETAIL W
SCALE 2:1



DETAIL X
SCALE 2:1

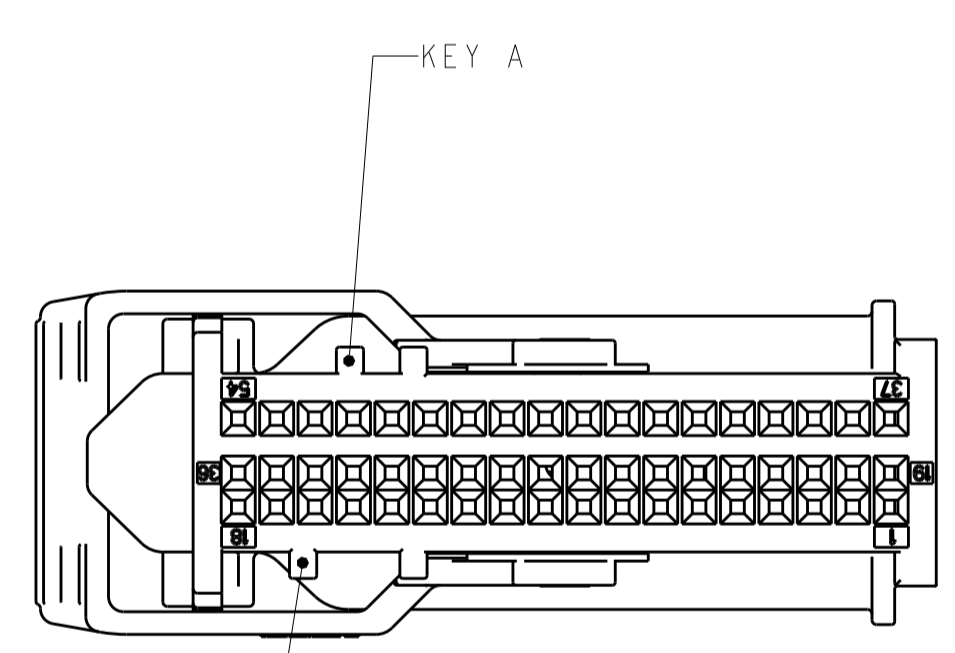


DETAIL Y
SCALE 2:1

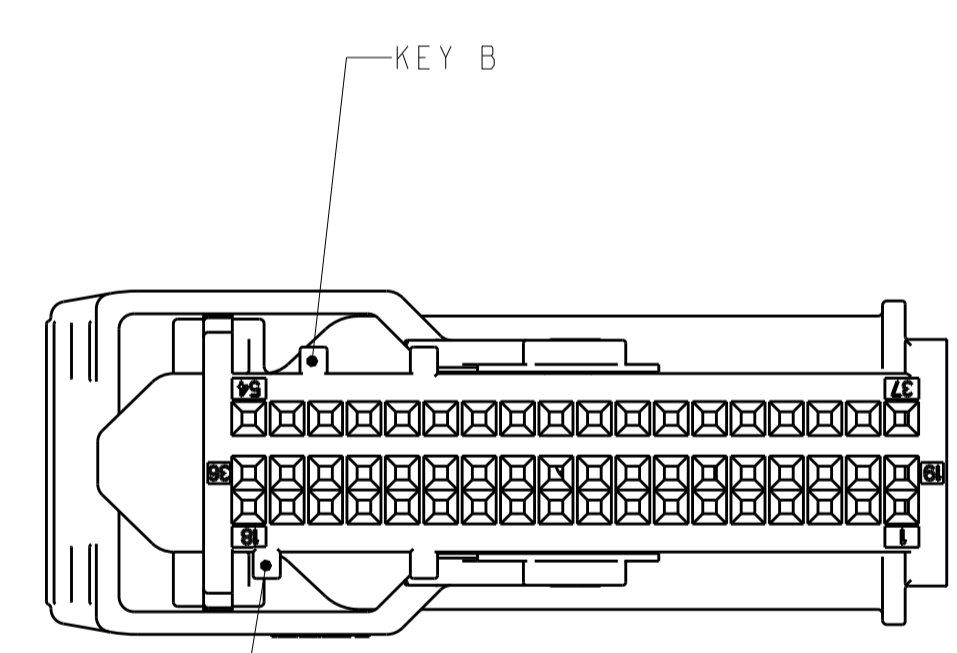


DETAIL Z
SCALE 2:1

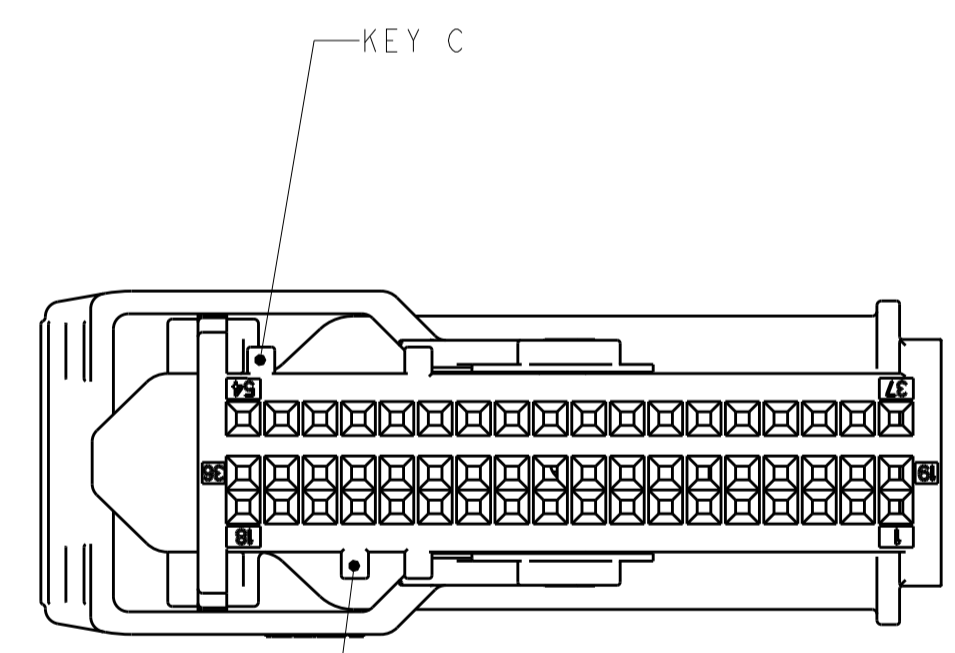
WIRE EXIT OPTIONS
FOR REFERENCE ONLY



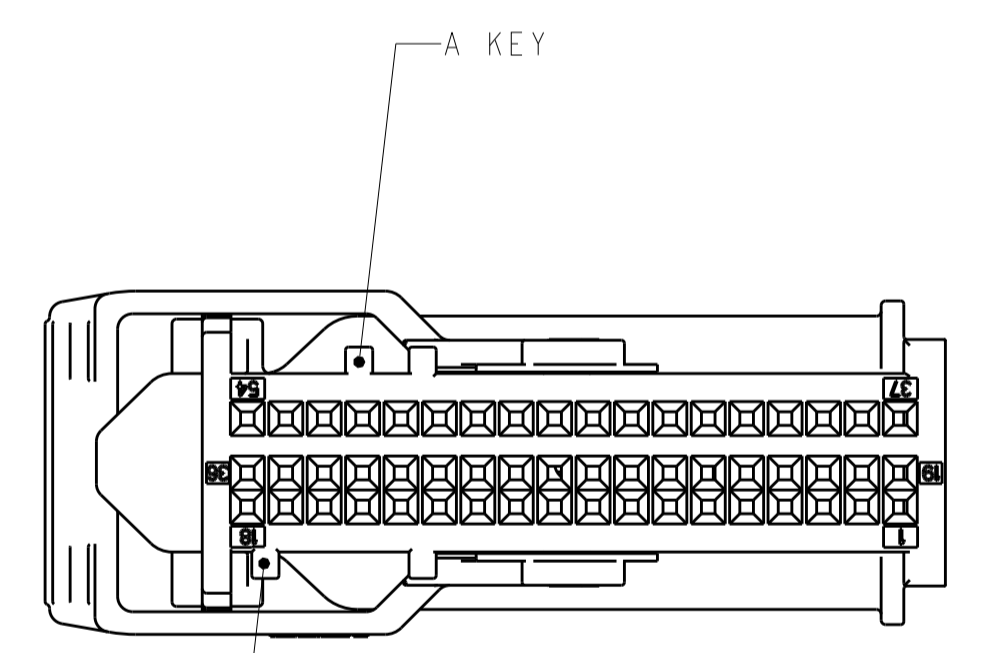
DETAIL AE
SCALE 2:1



DETAIL BF
SCALE 2:1



DETAIL CD
SCALE 2:1



DETAIL AF
SCALE 2:1

KEYING OPTIONS
FOR REFERENCE ONLY

THIS DRAWING IS A CONTROLLED DOCUMENT.		OWN. R. FOLTZ 15FEB2007	TE Connectivity
DIMENSIONS:		CHK. G. MARTIN 16FEB2007	
mm	TOLERANCES UNLESS OTHERWISE SPECIFIED:	APVD. G. MARTIN 16FEB2007	NAME
0 PLC ±	1 PLC ±0.1	PRODUCT SPEC	SHIELD ASSEMBLY,
2 PLC ±0.05	3 PLC ±	APPLICATION SPEC	54 POSITION, 0.64mm GENERATION Y,
4 PLC ±	ANGLES ±1°0'	WEIGHT	CONNECTOR
MATERIAL	FINISH	CUSTOMER DRAWING	SIZE CAGE CODE DRAWING NO. RESTRICTED TO
-	-	-	A100779C=1924337
		SCALE 1:1	SHEET 2 OF 2 REV A3

X-ON Electronics

Largest Supplier of Electrical and Electronic Components

Click to view similar products for [Automotive Connectors](#) category:

Click to view products by [TE Connectivity](#) manufacturer:

Other Similar products are found below :

[003-018-000](#) [60403001](#) [60993906-B](#) [M902-2131](#) [M902-2161](#) [M902-2344](#) [72.330.1035.1](#) [73.353.4028.0](#) [F119300-B](#) [F166900](#) [F258300-B](#)
[F358300-B](#) [F407400](#) [F444110](#) [F487000](#) [F509500B-B](#) [827153-1](#) [8N1515-32-24P](#) [9-1326729-8](#) [925474-1](#) [928905-1](#) [964562-4](#) [968782-1](#)
[GT17SA-8DS-HU](#) [98891-1012](#) [98947-1016](#) [12004147](#) [12004475-L](#) [12010290](#) [12015454](#) [12020219-B](#) [12041318-B](#) [12052225-L](#) [12052466](#)
[12064869](#) [12004327-B](#) [12015308](#) [12015384](#) [12015909](#) [1-21030-1](#) [12041254](#) [12041318](#) [12047946-B](#) [12047957](#) [12047957-L](#) [12059473](#)
[12066261](#) [12110546](#) [12110546-B](#) [12131792](#)