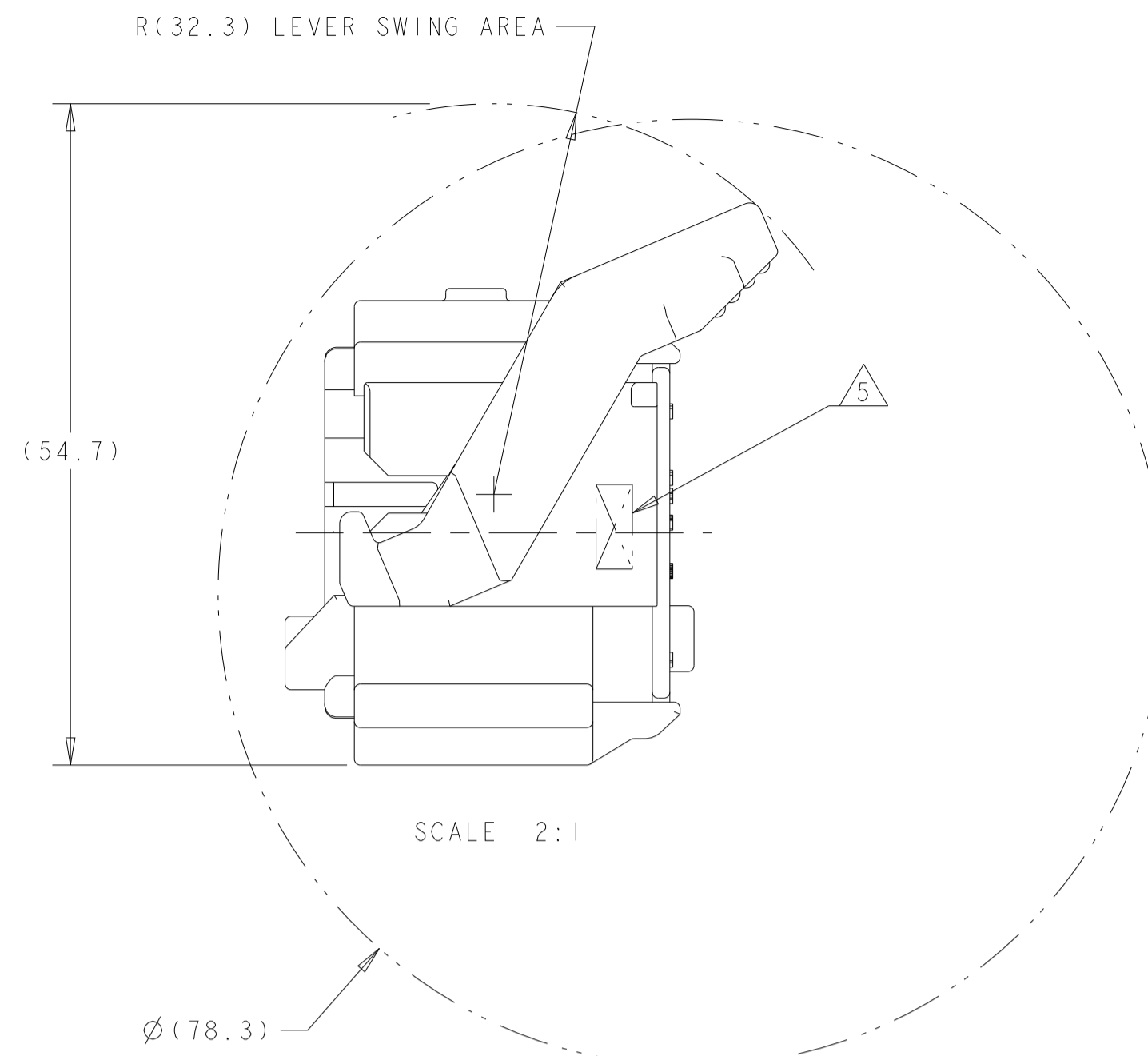
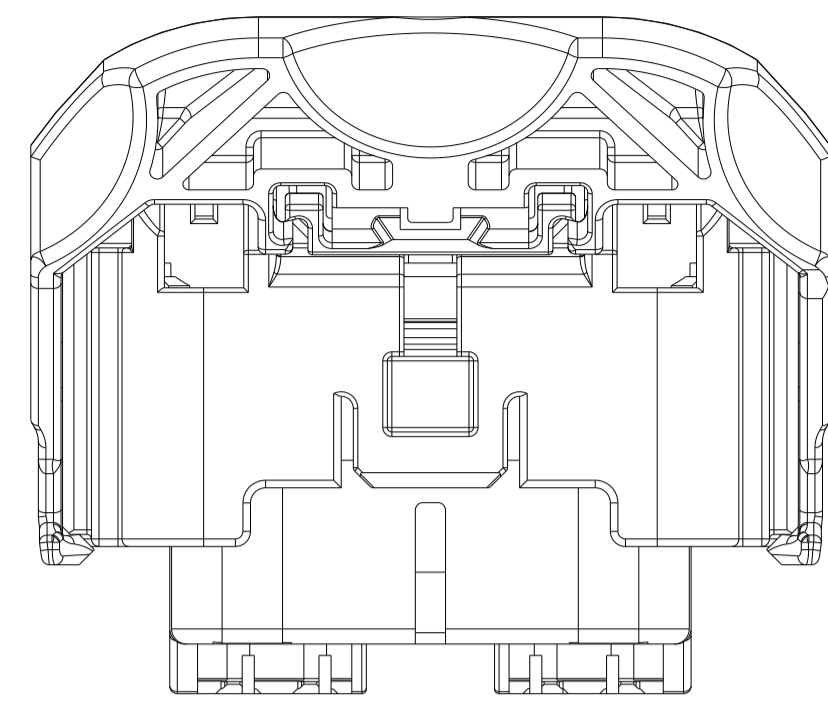
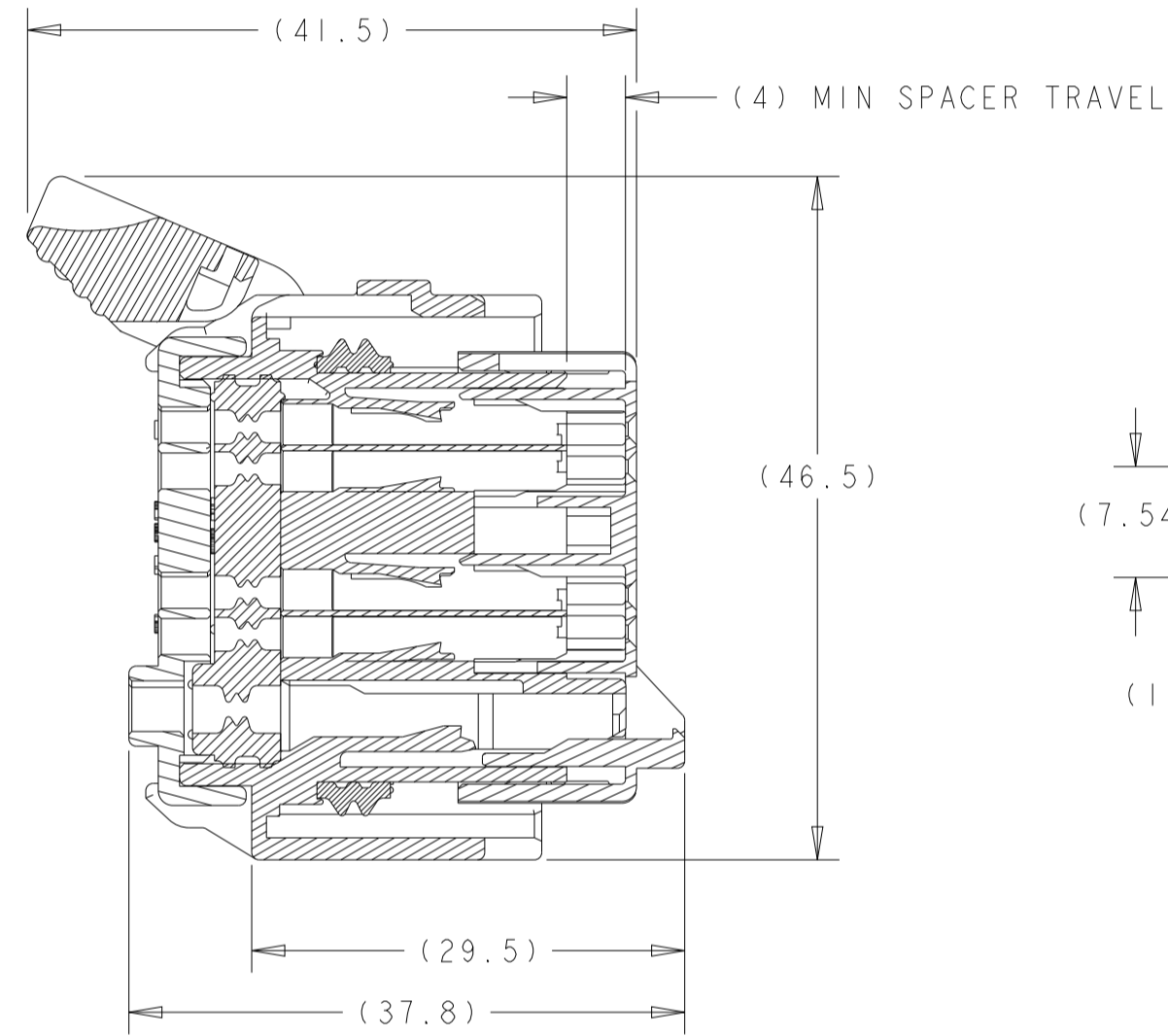


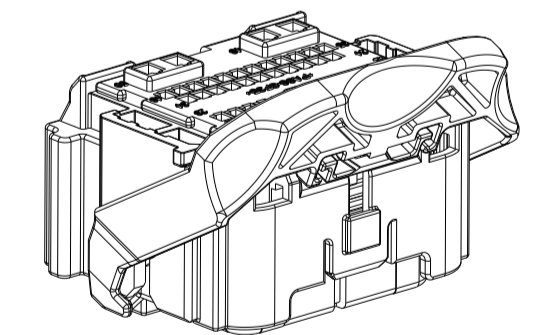
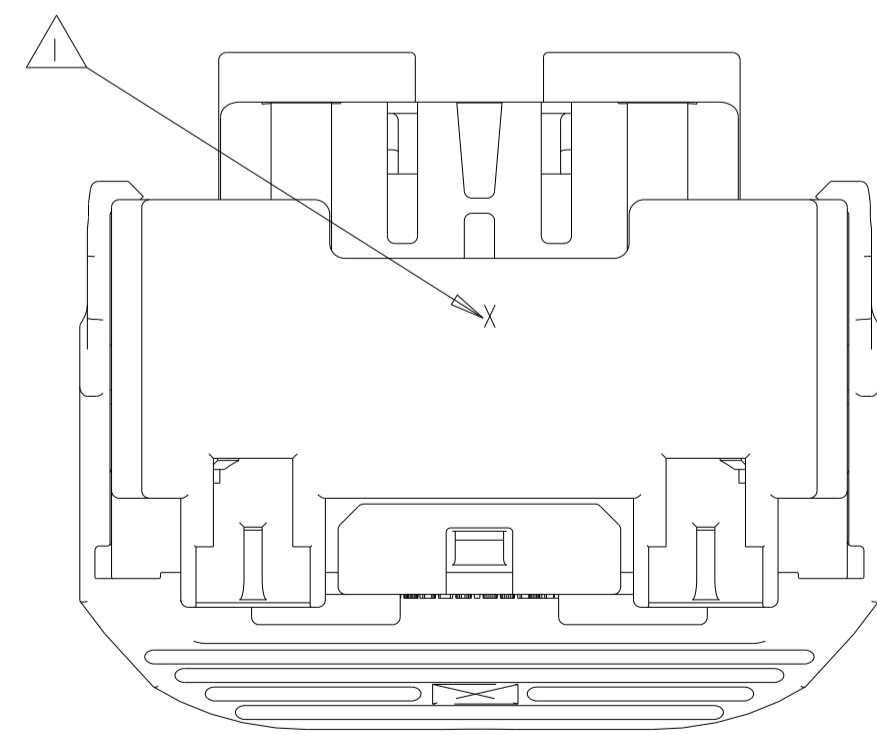
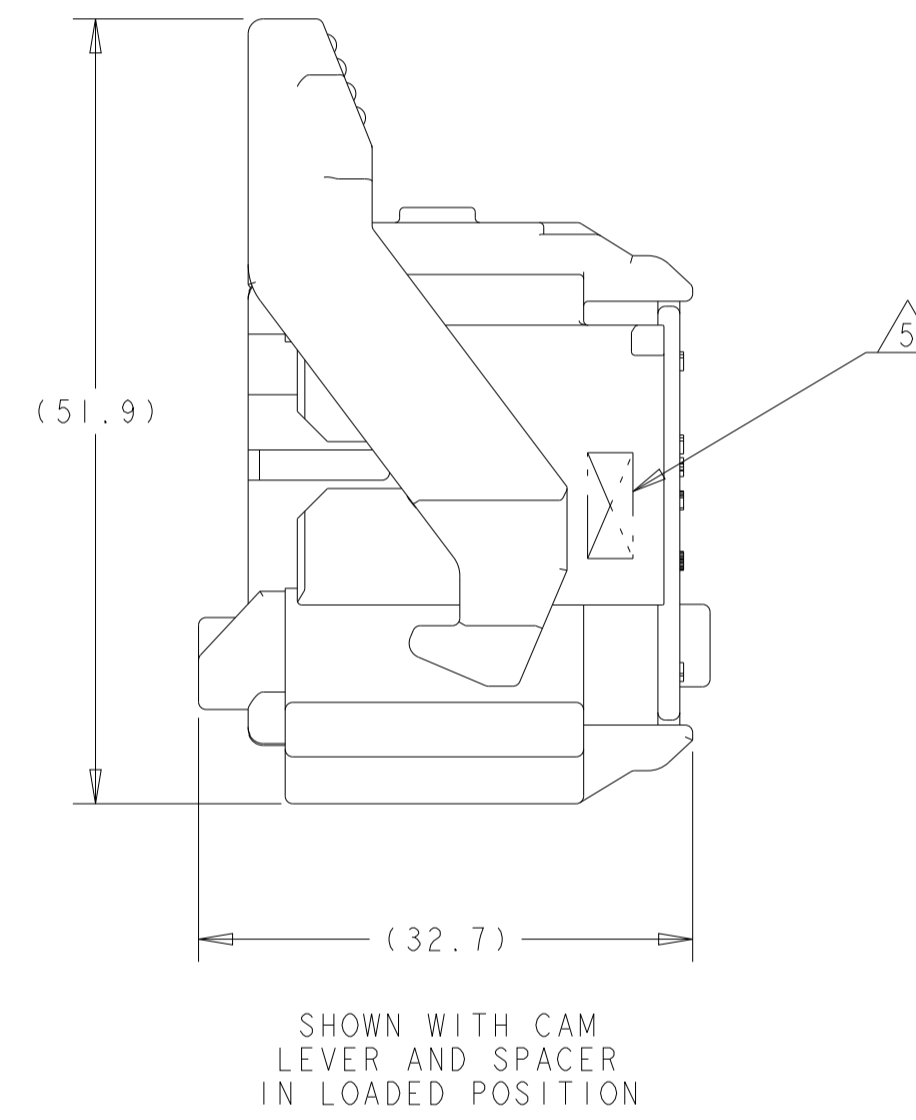
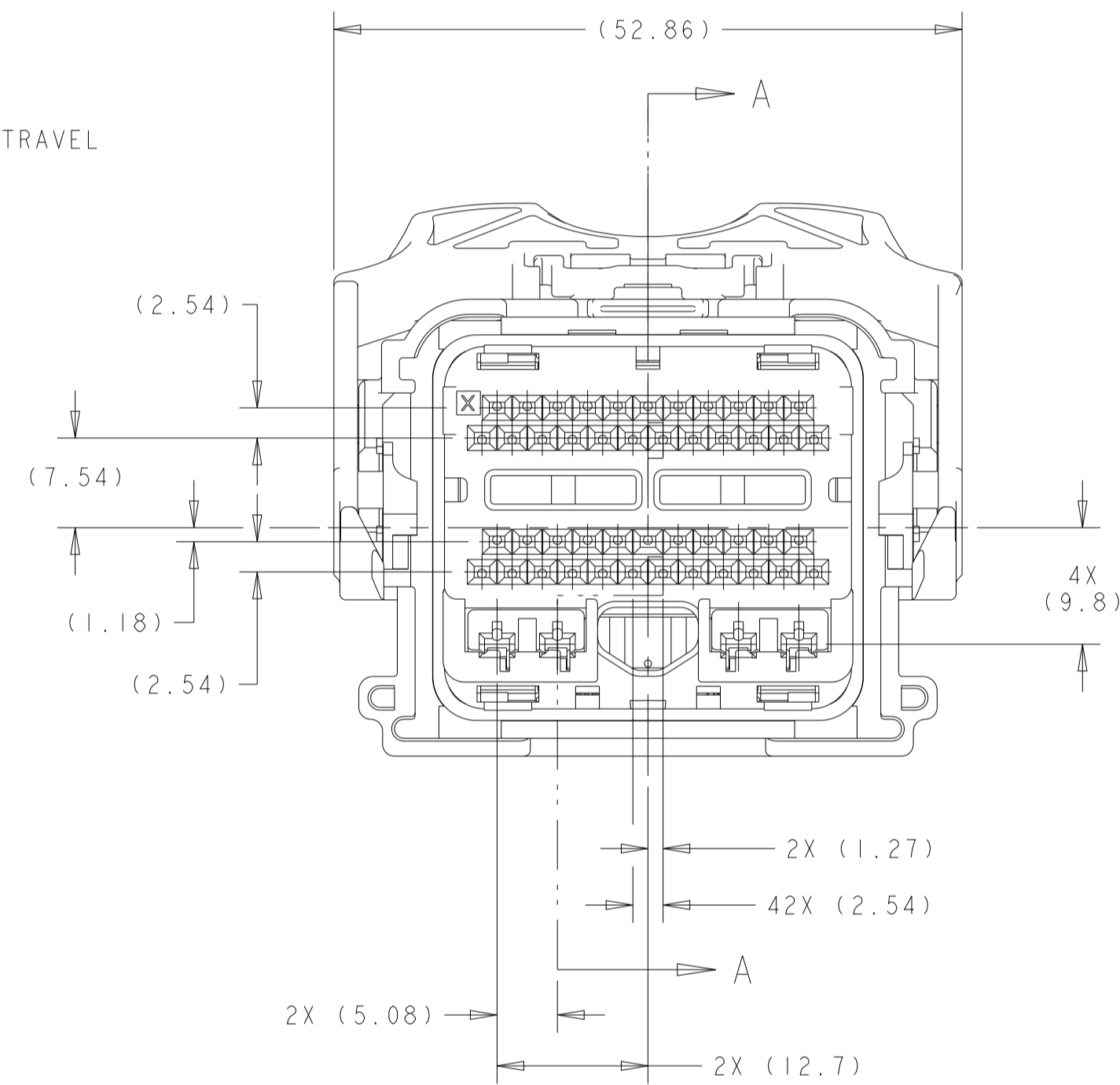
1438129-1  
SHOWN WITH SPACER  
IN SEATED POSITION



1. PRINT PART NUMBER (5S4T-14A464-L\*-\*\*\*, 5S4T-14A464-M\*-\*\*\*, 5S4T-14A464-N\*-\*\*\*) AND TRACEABILITY (YY : 2 DIGIT YEAR, JJJ = JULIAN DATE, HH = 2 DIGIT MILITARY HOUR CODE IN THE LOCATION AT ASSEMBLY. SEE SHEET 3 THRU 7 (-\*) PART NUMBERS.
2. APPLICABLE MOLEX (1.5) POWER TERMINAL PART NUMBERS:  
33012-0002 TIN 0.50-1.50mm<sup>2</sup>
3. CAM LEVER AND SPACER ARE SHIPPED IN THEIR PRE-ASSEMBLED POSITIONS.
4. REFERENCE TE CONNECTIVITY INSTRUCTION SHEET 408-8893.
5. COMPANY LOGO.
6. OBSOLETE PART.



SECTION A-A  
SPACER AND LEVER IN  
PRE-SEATED POSITION  
(DELIVERY CONDITION)



SCALE 1:1

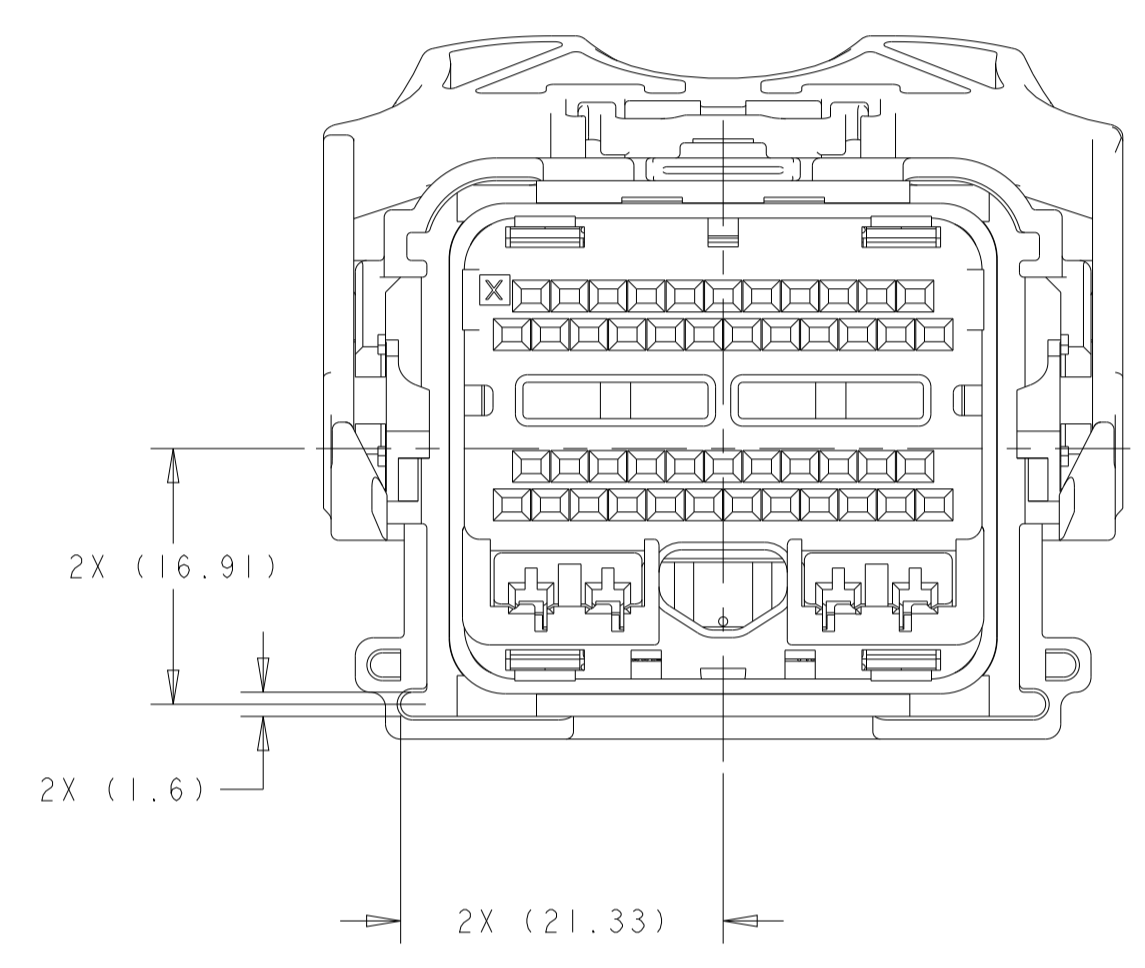
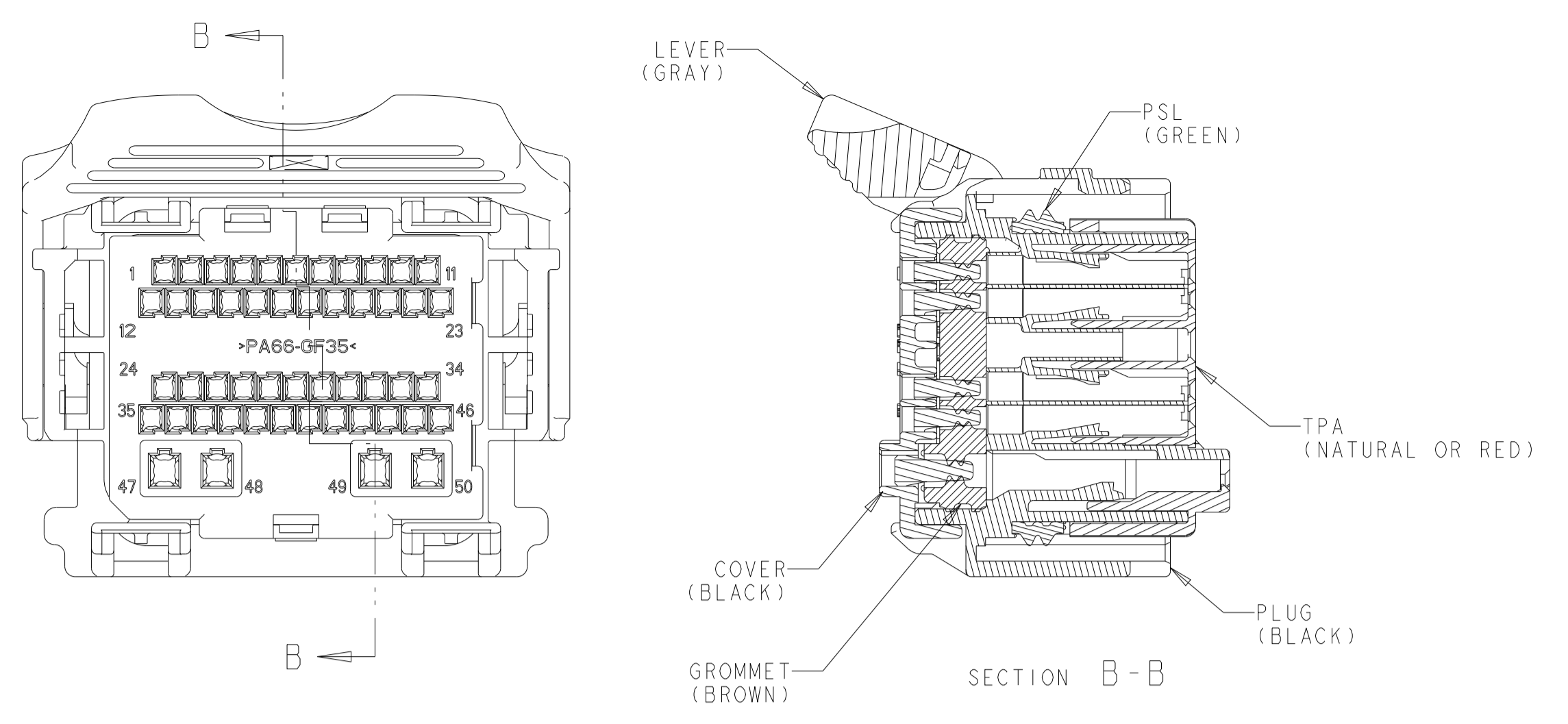
APPLICABLE COMPONENTS (FOR REFERENCE ONLY)						
DESCRIPTION	NOMINAL TERMINAL SIZE	COLOR/PLATING	FORD COMPONENT PART NUMBER	SUPPLIER PART NUMBER	MATERIAL/SPECIFICATION NUMBER	SAE WIRE SIZE
TERMINAL - FEMALE (Ag)	0.64 (CAT. 0)	SILVER	7S4T-14474-AA	1393366-2	COPPER ALLOY/SILVER PLATE	20AWG
						18AWG
TERMINAL - FEMALE (Ag)	0.64 (CAT. 0)	SILVER	7S4T-14474-BA	1393367-2	COPPER ALLOY/SILVER PLATE	22AWG
TERMINAL - FEMALE (Sn)	0.64 (CAT. 0)	TIN	1L2T-14474-AA	1393366-1	COPPER ALLOY/TIN PLATE	20AWG
						18AWG
TERMINAL - FEMALE (Sn)	0.64 (CAT. 0)	TIN	1L2T-14474-BA	1393367-1	COPPER ALLOY/TIN PLATE	22AWG
TERMINAL - FEMALE (Au)	0.64 (CAT. 0)	GOLD	1L2T-14474-CA	1393365-1	COPPER ALLOY/GOLD PLATE	20AWG
						18AWG
TERMINAL - FEMALE (Au)	0.64 (CAT. 0)	GOLD	1L2T-14474-DA	1393364-1	COPPER ALLOY/GOLD PLATE	22AWG

ANY DESIGN CHANGES ON THIS ASSEMBLY MAY ALSO BE REQUIRED ON ASSEMBLY DRAWING 1438691

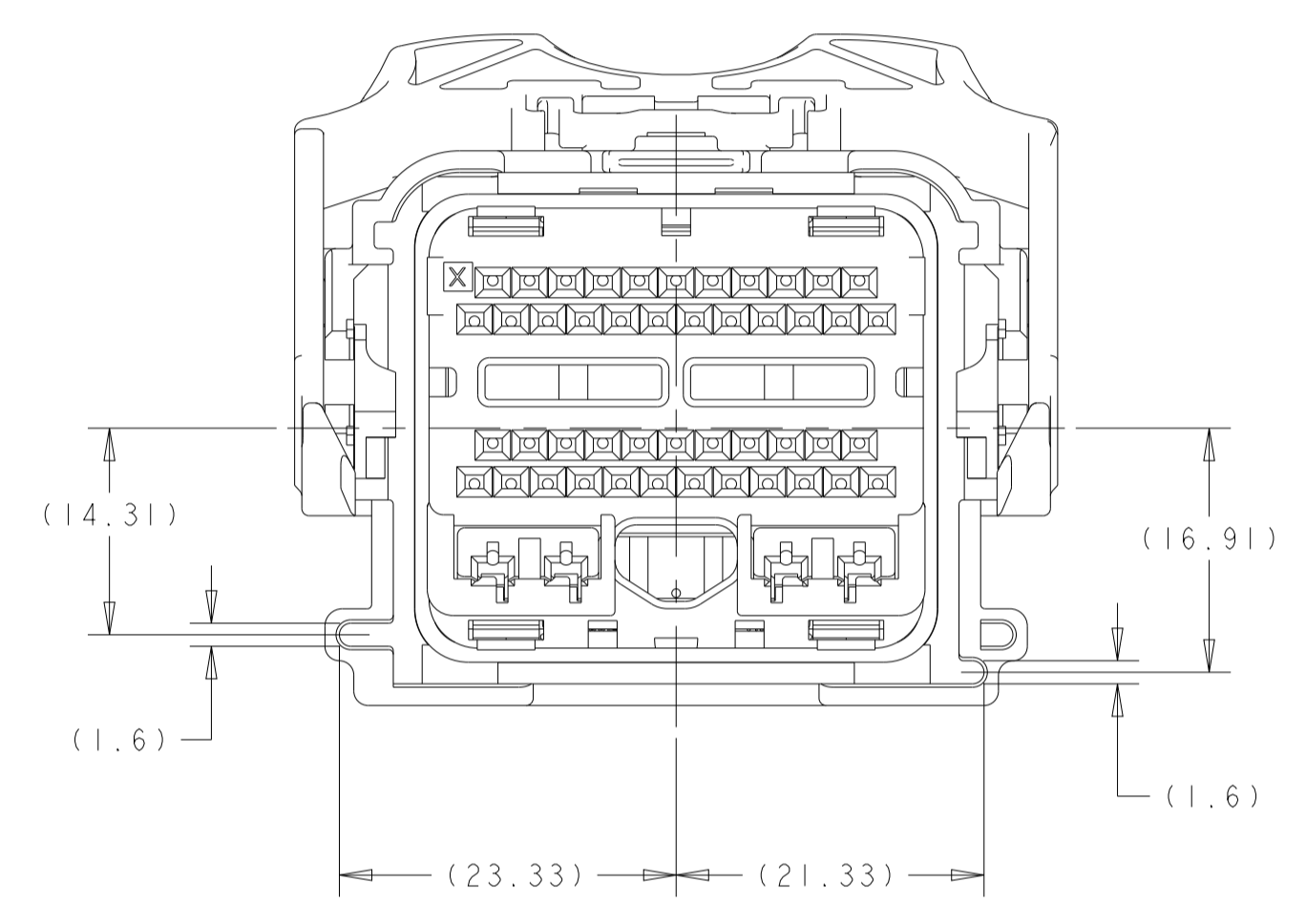
SEE TABLES  
SHEETS 3 THRU 7  
PART NUMBER

THIS DRAWING IS A CONTROLLED DOCUMENT.		OWN: R. VESTAL 15APR2005	
DIMENSIONS: mm		CHK: T. VALASEK 15APR2005	
TOLERANCES UNLESS OTHERWISE SPECIFIED:		APVD: T. VALASEK 15APR2005	NAME: 50-WAY HARNESS ASSEMBLY, PCM SIZE: CAGE CODE: DRAWING NO: A100779C=1438129 WEIGHT: CUSTOMER DRAWING
0 PLC ±0.3 1 PLC ±0.10 2 PLC ±0.10 3 PLC ±0.10 4 PLC ±0.10 ANGLES ±1° FINISH		PRODUCT SPEC: APPLICATION SPEC: SCALE: 1:1 SHEET 1 OF 10 REV: F42	

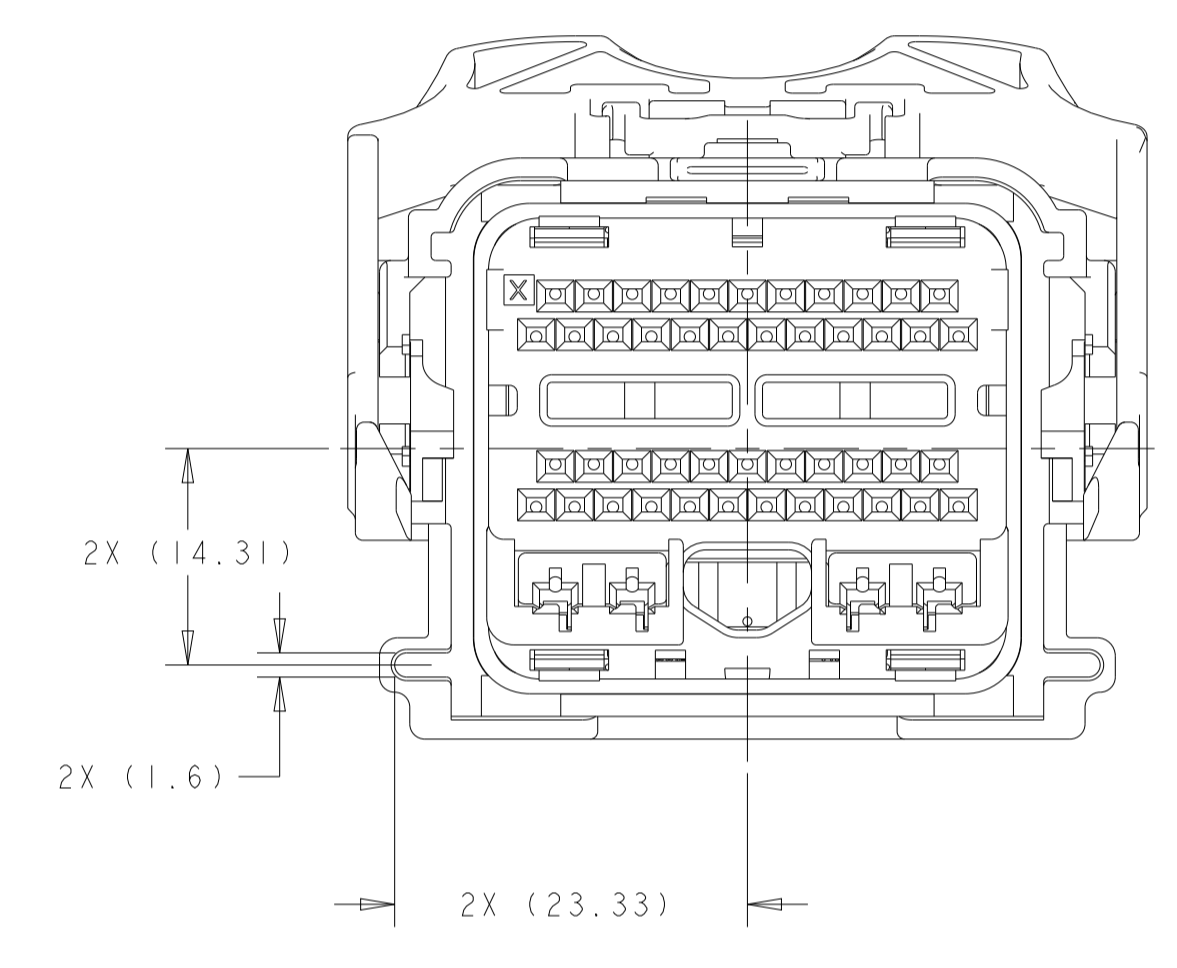
REVISIONS				
P	LTN	DESCRIPTION	DATE	APPD
-	SEE SHEET 1			



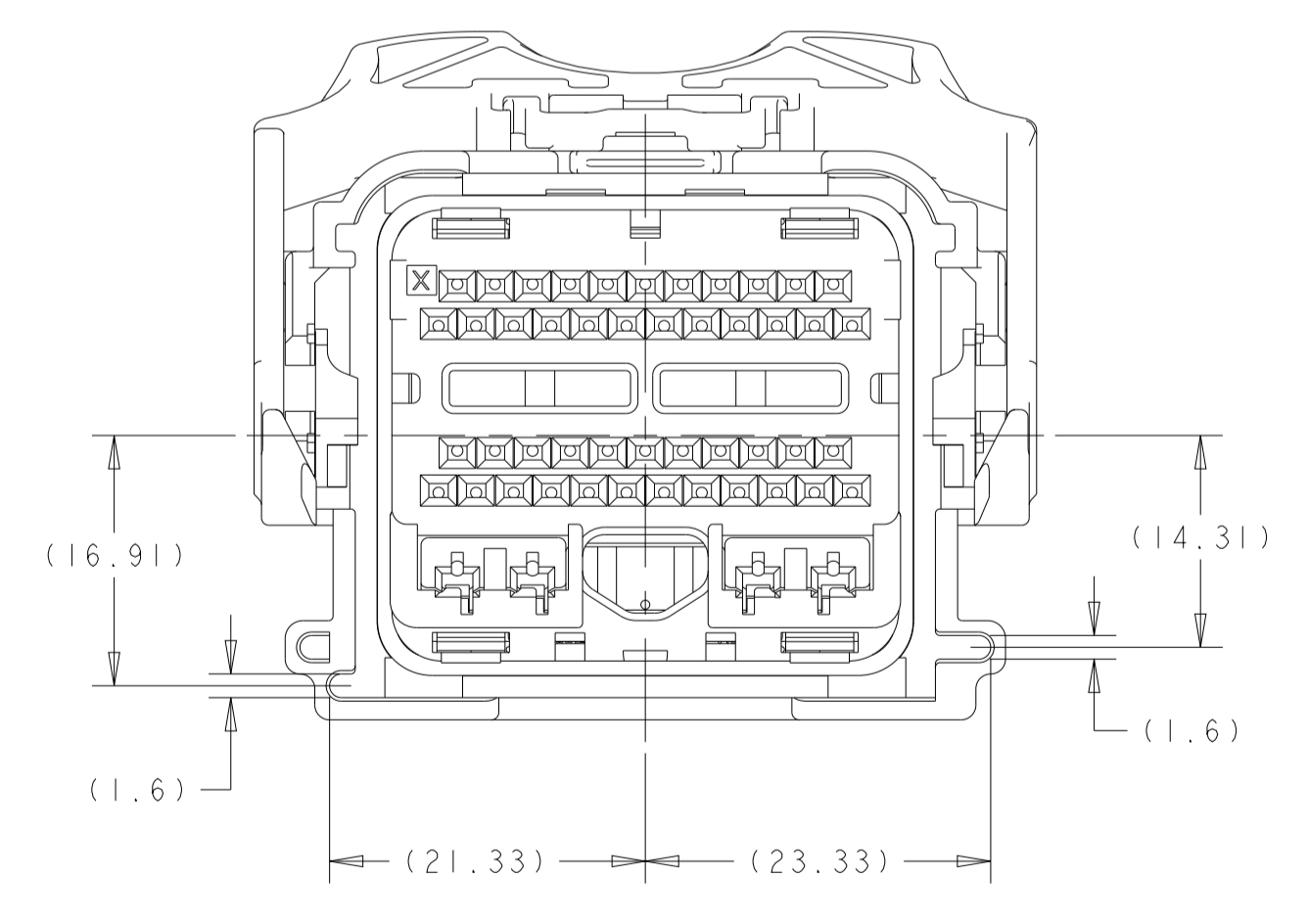
1438129-1  
KEYING OPTION "A"



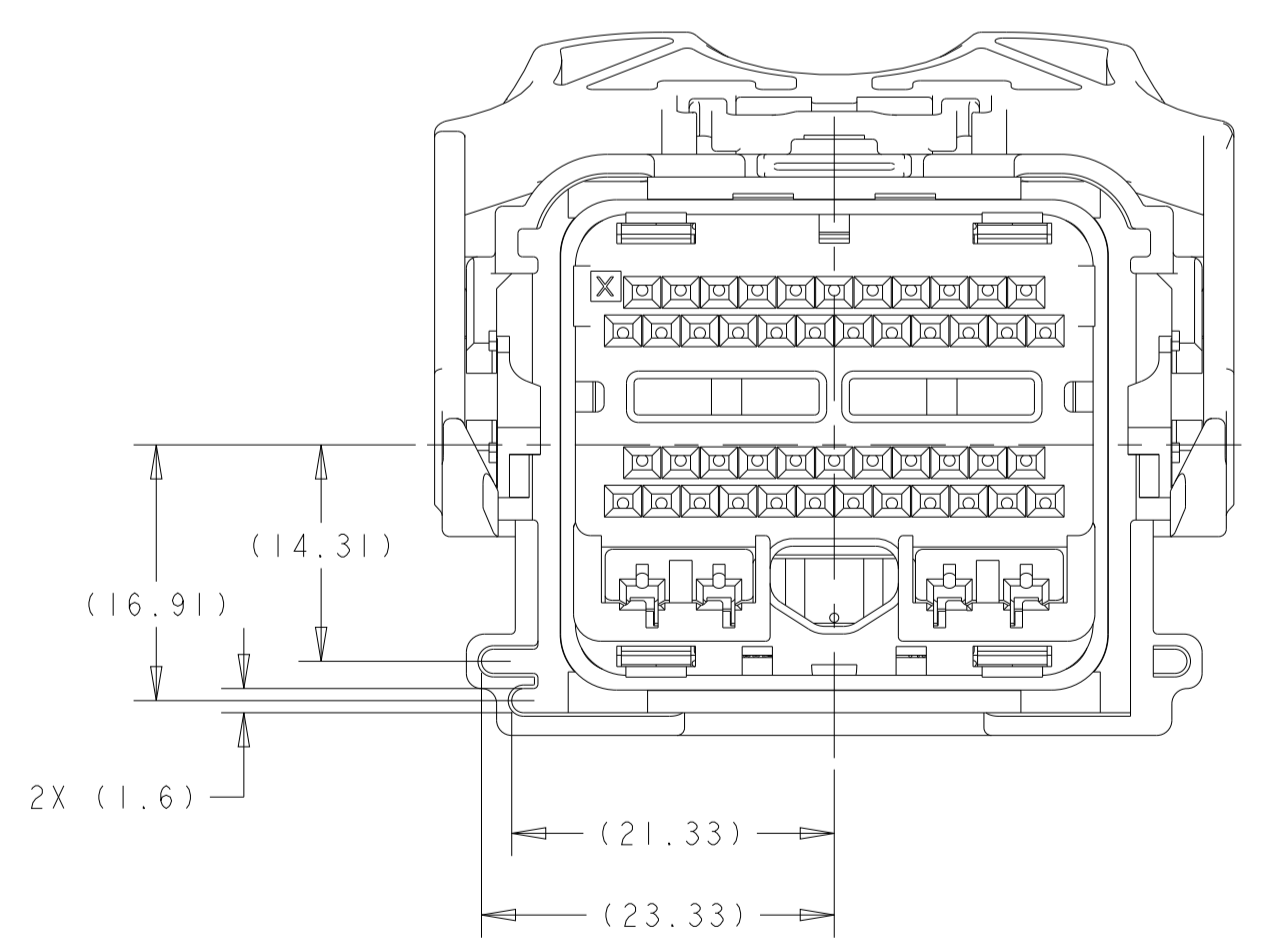
1438129-2  
KEYING OPTION "B"



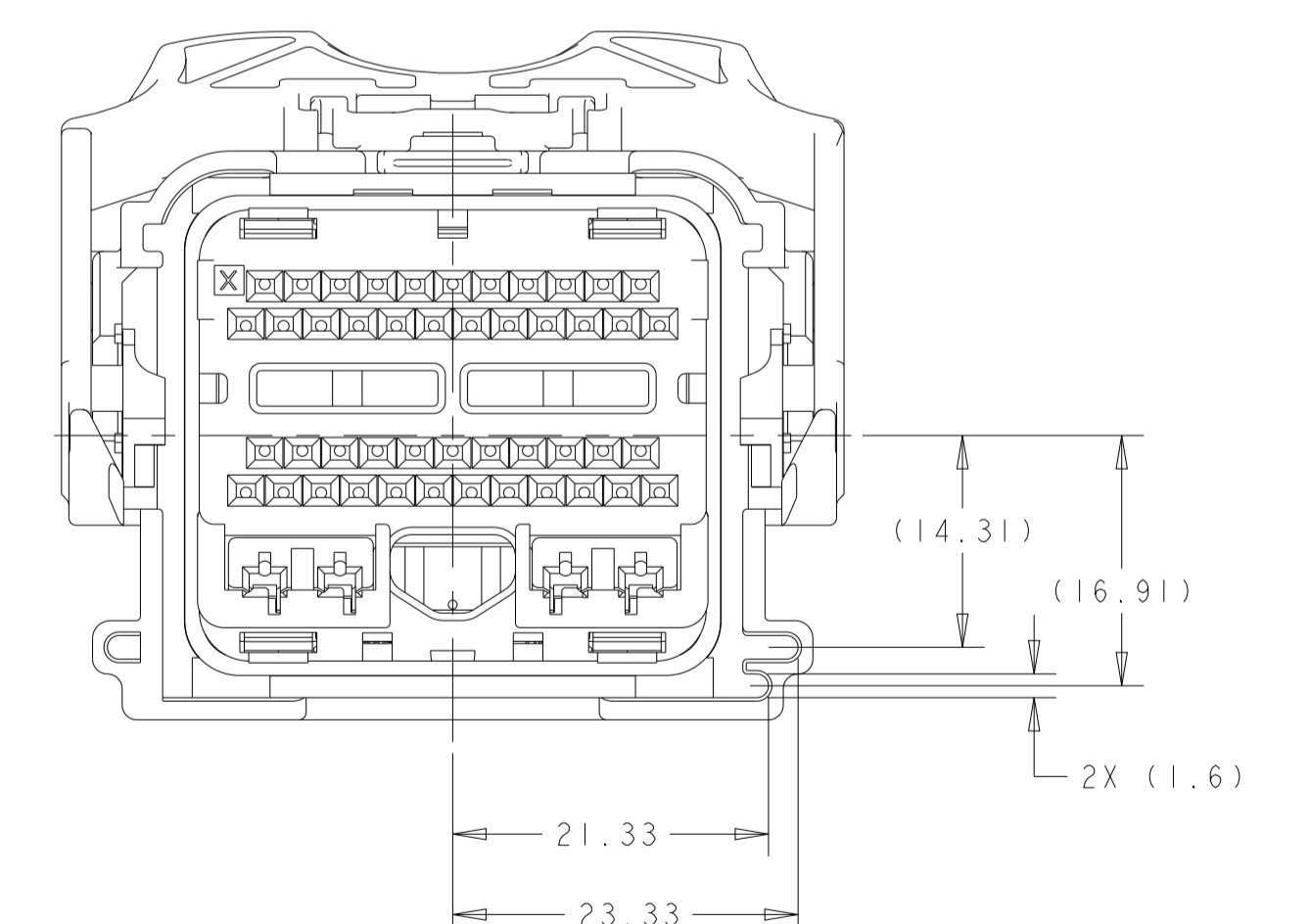
1438129-3  
KEYING OPTION "C"



1438129-4  
KEYING OPTION "D"



1438129-5  
KEYING OPTION "E"



1438129-6  
KEYING OPTION "F"

THIS DRAWING IS A CONTROLLED DOCUMENT.		OWN R. VESTAL 15APR2005	
DIMENSIONS:		CHK T. VALASEK 15APR2005	
mm	0 PLC ±0.3 1 PLC ±0.3 2 PLC ±0.10 3 PLC ±0.10 4 PLC ±0.10 ANGLES ±1°	APVD T. VALASEK 15APR2005	NAME 50-WAY HARNESS ASSEMBLY, PCM
MATERIAL		PRODUCT SPEC	
		APPLICATION SPEC	SIZE
		WEIGHT	CAGE CODE
		CUSTOMER DRAWING	DRAWING NO
			RESTRICTED TO
			A 00779 C=1438129
			SCALE 2:1 SHEET 2 OF 10 REV F 42



REVISIONS				
REV	LTN	DESCRIPTION	DATE	APPV
-		SEE SHEET 1		

KEYING OPTION B

		46		43	42																29	27	26	25	24						9	7			1	5-1438950-9	554T-14A464-MA-065									
		46																				28	27								13	9			1	5-1438950-9	554T-14A464-MA-064									
		46	43			39	38	37		34	32	31	29												24	22	20			15						5-1438950-4	554T-14A464-MA-063									
		46	43			39	37			34	32	31	29												24	22	20			15						5-1438950-3	554T-14A464-MA-062									
			43			39	37			34	32	31	29														20			15						5-1438950-2	554T-14A464-MA-061									
		46	43			39	37			34	32	31	29												24	22			15							2	5-1438950-1	554T-14A464-MA-060								
		46	43			39	38	37		34	32	31	29												24	22			15	14						2	5-1438950-0	554T-14A464-MA-059								
			43			39	37			34	32	31	29																	15								4-1438950-9	554T-14A464-MA-058							
			43			39	37			34	32	31	30	29														20	19								4-1438950-8	554T-14A464-MA-057								
				42								31																	15	14				7			3	2	4-1438950-7	554T-14A464-MA-056						
		46	43	42		39	38	37			33	31			27		25							22		18	16						8	7				2	4-1438950-3	554T-14A464-MA-055						
		46			40						33		30	29	28							24	22	19	18	17	16	15	14	13			9	7	6	5			4-1438950-2	554T-14A464-MA-054						
		46			39	37				34	32	31	29												24	22			15										4-1438950-0	554T-14A464-MA-053						
		46			39	38	37			34	32	31	29												24	22			15	14									3-1438950-9	554T-14A464-MA-052						
		46	43			39	38	37				33			27		25									18	16							8	7					3-1438950-6	554T-14A464-MA-051					
										33	32				27														13				9						3-1438950-4	554T-14A464-MA-050						
		46		42							33	31	30	29	28							24	22	19	18	17	16	14						6	5	4				3-1438950-0	554T-14A464-MA-049					
		46		42							33	31	30	29	28							24	22	19	18	17	16	14					7	6	5	4				2-1438950-9	554T-14A464-MA-048					
-50		46		42							33	31	30	29	28	27						24	22	19	18	17	16	14				7	6	5	4					2-1438950-8	554T-14A464-MA-047					
				43												27		25								18	16													1-2-1438950-7	554T-14A464-MA-046					
-50	49					40	39	38	37	36	35	33	32	31	30							26		22	21	20	19	18		14	13	12	10	9	8	7	6	5		2	1	2-1438950-6	554T-14A464-MA-045			
-50	49	46	45	44	43	42	40	39	38	37	36	35	34	33	32	31	30	29	28	27	26		23	22	20	19	18	17	16	15	14	13	12	11	10	9	8	7	6	5	4		2	1	2-1438950-5	554T-14A464-MA-044
		46		43	42			39	38	37			33	32	31	30	28	27	26	25	24					20	19	18	17	16					9		6	5	4					2-1438950-0	554T-14A464-MA-043	
		46		43	42			39	38	37			34	33	32	31	30	28	27	26	25	24				20	19	18	17	16					9		6	5	4					1-1438950-8	554T-14A464-MA-042	
		46		43	42			38	37			34	32	31	30	29	28	27	26	25	24					20	19	18	17	16					9		6	5	4					1-1438950-7	554T-14A464-MA-041	
				43	42			39	38	37			33	32	31	30	28	27	26	25	24					20	19	18	17	16					9		6	5	4					1-1438950-4	554T-14A464-MA-040	
		46		43	42			38	37			32	31	30	29	28	27	26	25	24						22	20	19	18	17	16				9		6	5	4					1-1438950-3	554T-14A464-MA-039	
		46			41			37			33		30	29	28						24	22			19	18	17	16	14					6	5	4						1-1438950-0	554T-14A464-MA-038			
		46			40						33		30	29	28						24	22			19	18	17	16	14	13			9	7	6	5					1438950-8	554T-14A464-MA-037				
				43		39																						20														1438950-1	554T-14A464-MA-036			
				43		39	38				34	33	32																		15	14											9-1438129-9	554T-14A464-MA-035		
		46		43		39	37				33		29	27	25							22	20	18	16	15								8								9-1438129-7	554T-14A464-MA-034			
		46		43	42			38	37			32	31	30	28	27	26	25	24			22	20	19	18	17	16						9		6	5	4					9-1438129-5	554T-14A464-MA-033			
				42		39	38	37			33		29													18	16	15	14						8								9-1438129-4	554T-14A464-MA-032		
				42		39	38				34	33	32	31		27	26	25								20									7								9-1438129-3	554T-14A464-MA-031		
		46			39	37				34	32	31	29								24	22							15														9-1438129-2	554T-14A464-MA-030		
		46			39	38	37			34	32	31	29								24	22							15	14													9-1438129-1	554T-14A464-MA-029		
		46		42		39	37			34	33	32	31	29							26	24	22						15					9	7							9-1438129-0	554T-14A464-MA-028			
				39	38	37				33		29														18	16	15	14					8									8-1438129-8	554T-14A464-MA-027		
		46													28	27														13													8-1438129-0	554T-14A464-MA-026		
		46		43	42	41	40	39	38	37		34		31	30	29	28	27	26	25						19		15	14	13				9				3	2	1				7-1438129-9	554T-14A464-MA-025	
		46			42																																									





REVISIONS				
REV	DATE	BY	APPV	DESCRIPTION
1	-	-	-	SEE SHEET 1

KEYING OPTION C

			47				42	41				38	37		35		33	32		30	28	27	26		24	23	22		21	20		18	17		15	14	13	12		9	8	7	6	5	4	3	2	1	6-1924783-7	554T-14A464-NA-131			
50		48		46	45	44	43	42				37	36		34	33	32	31	30				25		23	22		21	20										13	12	11	10	9	8	7	6	5	4	3	2	1	6-1924783-6	554T-14A464-NA-130
50	49	48	47	46	45	44	43	42	41	40	39	38	37	36	35	34	33	32	31	30	29	28	27		25	24	23	22	21	20	19	18	17	16	15	14	13	12	11	10	9	8	7	6	5	4	3	2	1	6-1924783-4	554T-14A464-NA-129		
			47				42					38	37		35		33	32	31			28			24	23	22	21	20		18		15	14	13	12			9	8	7	6	5	4	3	2			6-1924783-2	554T-14A464-NA-128			
50		48		46	45	44	43	42	41				37			34	33	32	31	30				25		23	22										14	13	12		10	9	8	7	6	5	4	3	2	1	6-1924783-1	554T-14A464-NA-127	
		48											36				32	31	30					25		23	22	21	19								13	11		9	8	7	6	5			2		6-1924783-0	554T-14A464-NA-126			
49		47											36				32			30			27	25		23	22	21	19	18						13	11		9	8	7	6	5			2		5-1924783-9	554T-14A464-NA-125				
		48											36				32			30				25		23	22	21	19									13	11		9	8	7	6	5			2		5-1924783-8	554T-14A464-NA-124		
		48					42					37	36			33	32	31	30				25		23	22	21	19									13			9	8	7	6	5			2		5-1924783-5	554T-14A464-NA-123			
		47					42				38	37		35		33	32	31	30	28	27	26		24	23	22	21	20	18	17	15	14	13	12				9	8	7	6	5	4	3	2			5-1924783-4	554T-14A464-NA-122				
		48	47				42	40			38	37		35		33	32		30	28	27	26		24	23	22	21	20	18	17	15	14	13	12				9	8	7	6	5	4	3	2			5-1924783-3	554T-14A464-NA-121				
49		47										37	36			33	32	31			27		25		23	22	21	19	18							13	11		9	8	7	6	5			2		5-1924783-2	554T-14A464-NA-120				
		47					42				38	37		35		33	32			28			24	23	22	21	20	18		15	14	13	12				9	8	7	6	5	4	3	2			5-1924783-1	554T-14A464-NA-119					
		47					42			39	38	37		35		33	32	31			28			24	23	22	21	20	18		15	14	13	12				9	8	7	6	5	4	3	2			4-1924783-9	554T-14A464-NA-118				
49		46								39			35								27			23	22	21	20	19	16	15						11		8	7	6	5	4	3	2			4-1924783-8	554T-14A464-NA-117					
		47					42			39	38	37		35		32					28			24	23	22	21	20	18		15	14	13	12				9	8	7	6	5	4	3	2			4-1924783-7	554T-14A464-NA-116				
49		46								39			35								27			23	22	21	20	19	16	15					11		8	7	6	5	4	3	2	1			4-1924783-5	554T-14A464-NA-115					
		46	45	43						39	37	35								31	30	28	27			22	21	20	19	16	15									7	6	5	4	3	2	1			4-1924783-4	554T-14A464-NA-114			
		47					42			39	38	37		35		33	32				28			24	23	22	21	20	18		15	14	13	12				9	8	7	6	5	4	3	2			4-1924783-1	554T-14A464-NA-113				
		47					42			39	38	37		35	34	33	32				28			24	23	22	21	20	18		15	14	13	12				9	8	7	6	5	4	3	2			4-1924783-0	554T-14A464-NA-112				
50		47	46	45	44	43	42			39	38	37		35	34	33	32	31	30	28			24	23	22	21	20	19	18	16	15	14	13	12	11	10	9	8	7	6	5	4	3	2	1			3-1924783-8	554T-14A464-NA-111				
50	48		46	45	44	43	42				37	36			34	33	32	31	30			25		23		21	20									13	12	11	10	9	8	7	6	5	4	3	2	1			3-1924783-7	554T-14A464-NA-110	
		47					42				38	37		35		33	32			28	27	26		24	23	22	21	20	18	17	15	14	13	12				9	8	7	6	5	4	3	2			3-1924783-6	554T-14A464-NA-109				
50	48		46	45	44	43	42	41				37			34	33	32	31	30			25		23	22	21	20								14	13	12		10	9	8	7	6	5	4	3	2	1			3-1924783-5	554T-14A464-NA-108	
50		47	46	45	44	42				39	38	37		35	34	33	32	31	30	28			24	23	22	21	20	19	18	16	15	14	13	12	11	10	9	8	7	6	5	4	3	2			3-1924783-4	554T-14A464-NA-107					
50	49	48	47	46	45	44	43	42	41	39	38	37	36	35		33	32	31	30	29	28		25	24	23	22	21	20	19						15	14	13	12	11	10	9	8	7	6	5	4	3	2	1			3-1924783-3	554T-14A464-NA-106
49	48	47	46				42			39	38		36			32	31			29	28	27	26	25	24	23	22	21					17				13	12	10	9	8	7	6	5	4	3	2	1			3-1924783-2	554T-14A464-NA-105	
50	49	48	47	46	44	43	42	41	39				36	35	34	33	32	31	30	29	28		25	24		22	21	20							15	14	13	12	10	9	8	7	6	5	4	3	2	1			3-1924783-1	554T-14A464-NA-104	
		48					42				37	36					32	31	30			25		23	22	21	19								13			9	8	7	6	5	4	3	2			3-1924783-0	554T-14A464-NA-103				
50	48		46	45	44	43	42	41			38	37	36		34	33	32	31	30			25		23	22	21	20								14	13	12	11	10	9	8	7	6	5	4	3	2	1			2-1924783-8	554T-14A464-NA-102	
49		47									36					32	31				27		25		23	22	21	19	18						13	11		9	8	7	6	5	4	3	2			2-1924783-7	554T-14A464-NA-101				
		48									37	36				32	31	30				25		23	22	21	19								13	11		9	8	7	6	5	4	3	2			2-1924783-6	554T-14A464-NA-100				
		48	47	46	45		42	40			38	37	36	35	34	33	32	31	30	28	27	26	25	24		22	21	20	18	17	16	14					9	8	7	6	5	4	3	2			2-1924783-5	554T-14A464-NA-099					
		47					42				38	37		35		32	31	30	28	27	26		24	23	22	21	20	18	17	15	14	13	12				9	8	7	6	5	4	3	2			2-1924783-1	554T-14A464-NA-098					
		47					42			39	38	37		35		32			30			24	23	22	21	20	18								15	14	13	12			9	8	7	6	5	4	3	2			2-1924783-0	554T-14A464-NA-097	
50	48	47	46	45	44	43	41			39	38	37		35		33	32	31	30	28	27	26	25	23	22	21	20	19	17	15	14	13	12	11	10	9	8	7	6	5	4	3	2	1			1-1924783-7	554T-14A464-NA-096					
		46	45	43						39	37	35				32	31	30	29	27				22	21	20	19	16	15												6	5	4	3	2	1			1-1924783-6	554T-14A464-NA-095			
49	48		46							38	37	36									29	28	27	26	25	24	23	22	21	20				17	15	13	11	10	9	8	7	6	5	4	3	2	1			1-1924783-1	554T-14A464-NA-094		
50	48	47	46	45	44	4																																															

REVISIONS				
P	LTN	DESCRIPTION	DATE	APPD
-	-	SEE SHEET 1	-	-

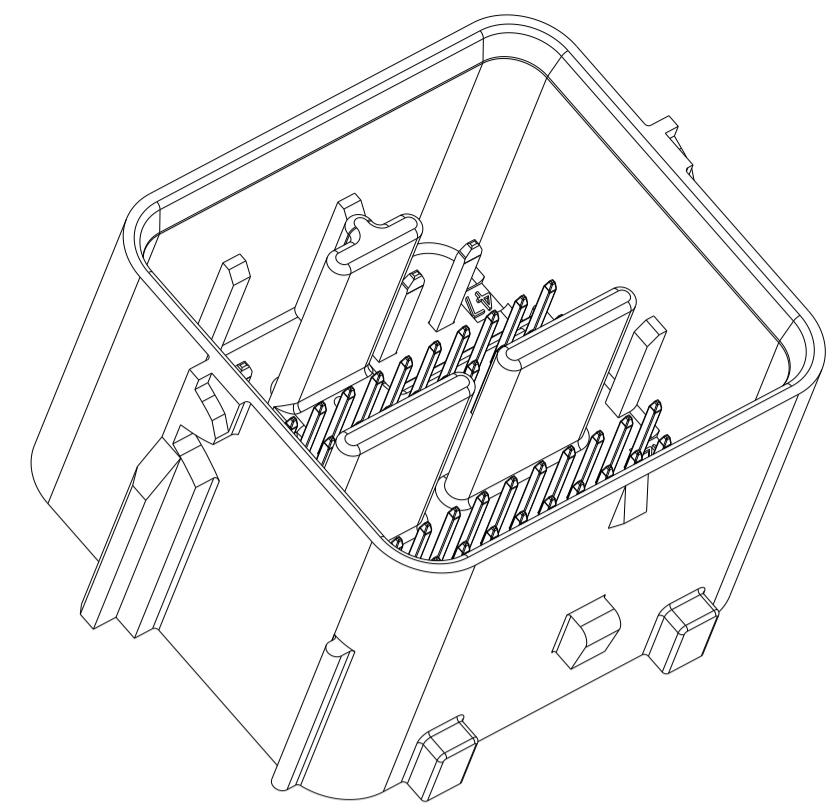
KEYING OPTION D																																ASSEMBLY PART NUMBER	PART NUMBER FOR PRINTING																			
CAVITIES WITH A NUMERIC SYMBOL INDICATES CLOSED TERMINAL LOCATIONS																																8-1924783-4	8-1924783-4																			
BLANK CAVITIES INDICATES OPEN TERMINAL HOLE LOCATIONS																																1438129-4	NUST-14A464-LA-000																			
TERMINAL HOLE POSITION	50	49	48	47	46	45	44	43	42	41	40	39	38	37	36	35	34	33	32	31	30	29	28	27	26	25	24	23	22	21	20	19	18	17	16	15	14	13	12	11	10	9	8	7	6	5	4	3	2	1	ASSEMBLY PART NUMBER	PART NUMBER FOR PRINTING
5S4T-14A464-P* PIN-OUT CHART																																																				

KEYING OPTION C																																ASSEMBLY PART NUMBER	PART NUMBER FOR PRINTING																			
CAVITIES WITH A NUMERIC SYMBOL INDICATES CLOSED TERMINAL LOCATIONS																																8-1924783-3	8-1924783-3																			
BLANK CAVITIES INDICATES OPEN TERMINAL HOLE LOCATIONS																																8-1924783-1	5S4T-14A464-NA-136																			
TERMINAL HOLE POSITION	50	49	48	47	46	45	44	43	42	41	40	39	38	37	36	35	34	33	32	31	30	29	28	27	26	25	24	23	22	21	20	19	18	17	16	15	14	13	12	11	10	9	8	7	6	5	4	3	2	1	ASSEMBLY PART NUMBER	PART NUMBER FOR PRINTING
5S4T-14A464-N* PIN-OUT CHART																																																				

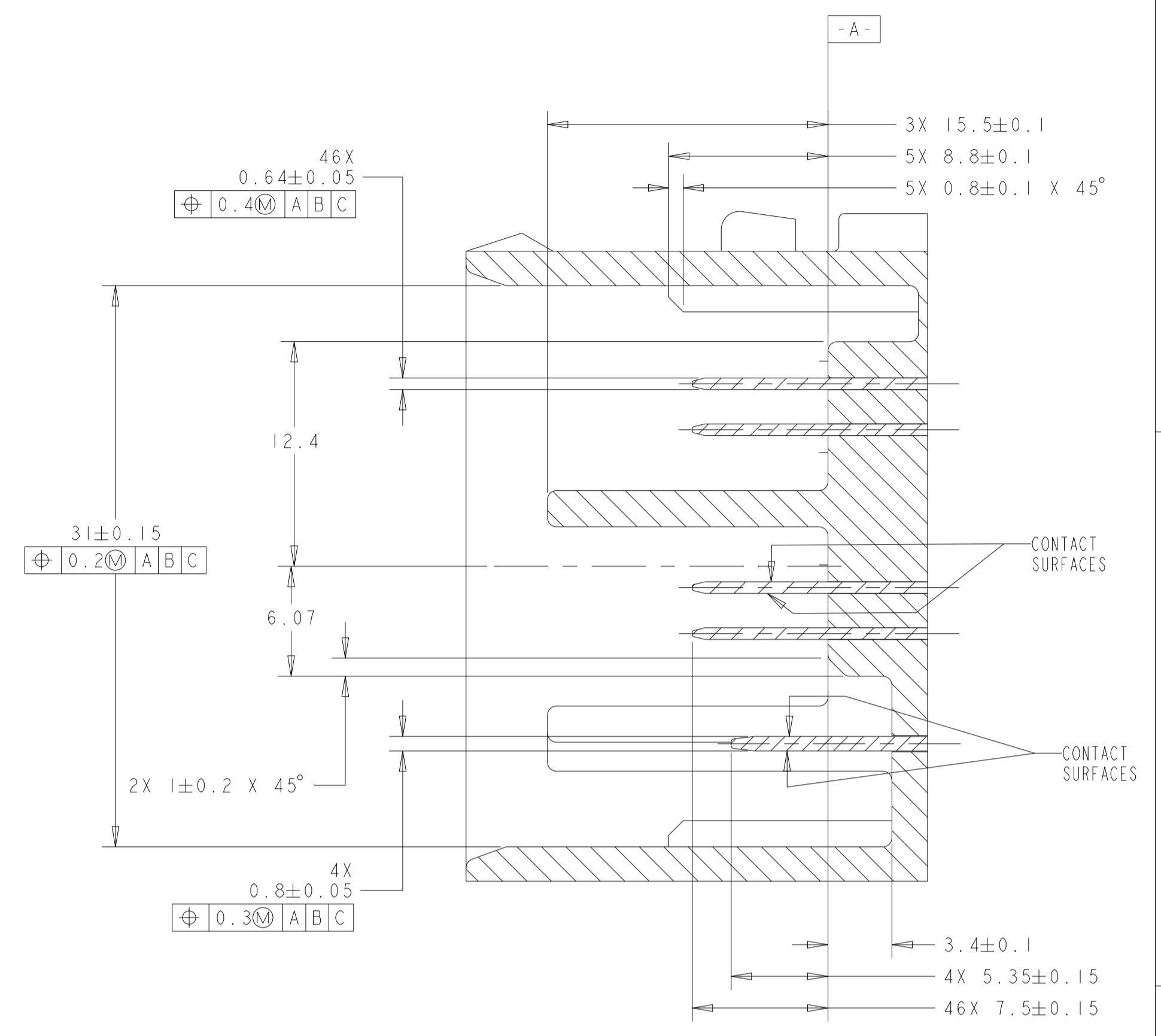
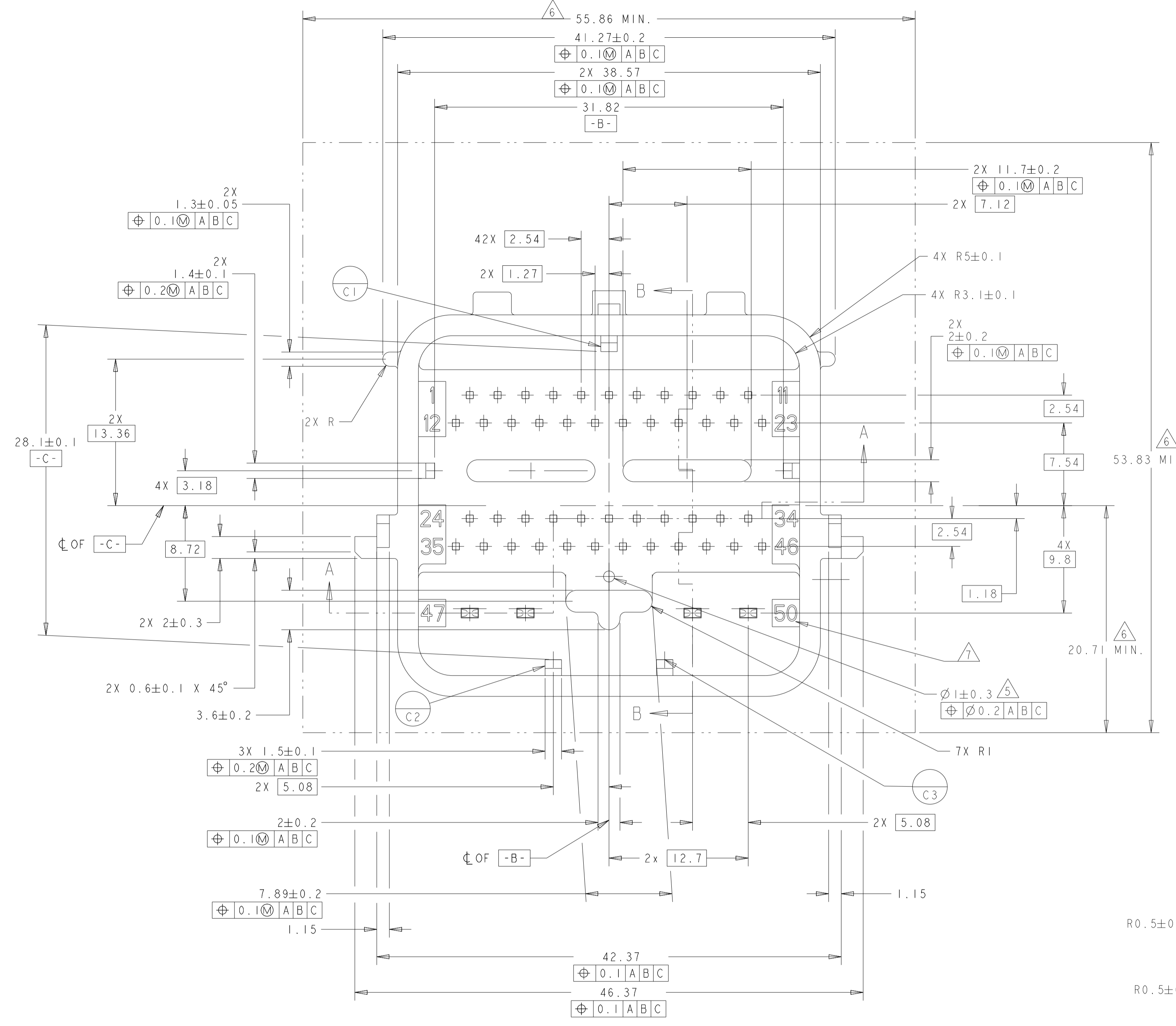
THIS DRAWING IS A CONTROLLED DOCUMENT.

<b>DR</b> R. VESTAL	15APR2005	<b>STE</b> TE Connectivity
<b>CHK</b> T. VALASEK	15APR2005	
<b>APPD</b> T. VALASEK	15APR2005	<b>NAME</b> 50-WAY HARNESS ASSEMBLY, PCM
<b>PRODUCT SPEC</b> -		<b>SIZE</b> A
<b>APPLICATION SPEC</b> -		<b>CAGE CODE</b> 100779
<b>MATERIAL</b> -		<b>DRAWING NO</b> C=1438129
<b>WEIGHT</b> -		<b>RESTRICTED TO</b> -
<b>CUSTOMER DRAWING</b> -		<b>SCALE</b> 1:1
		<b>SHEET</b> 8 OF 10
		<b>REV</b> F 42

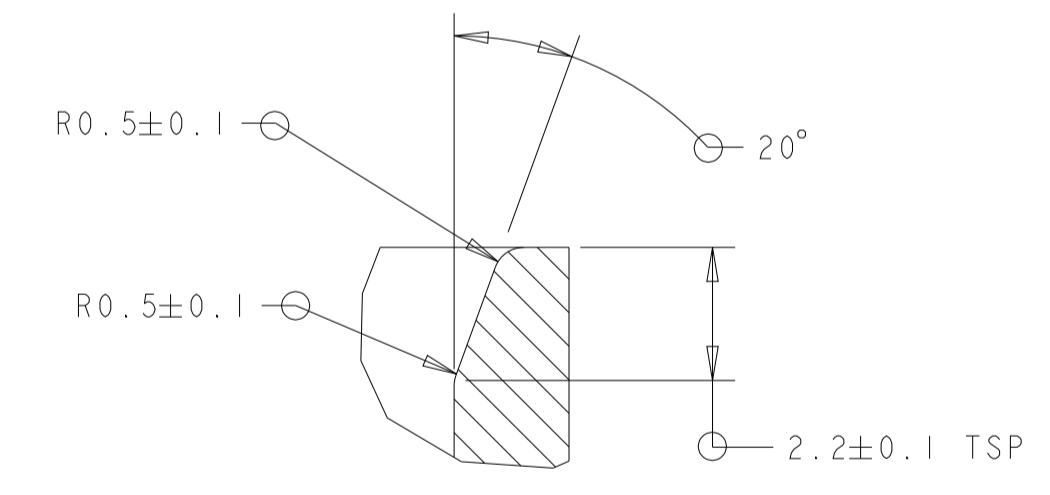




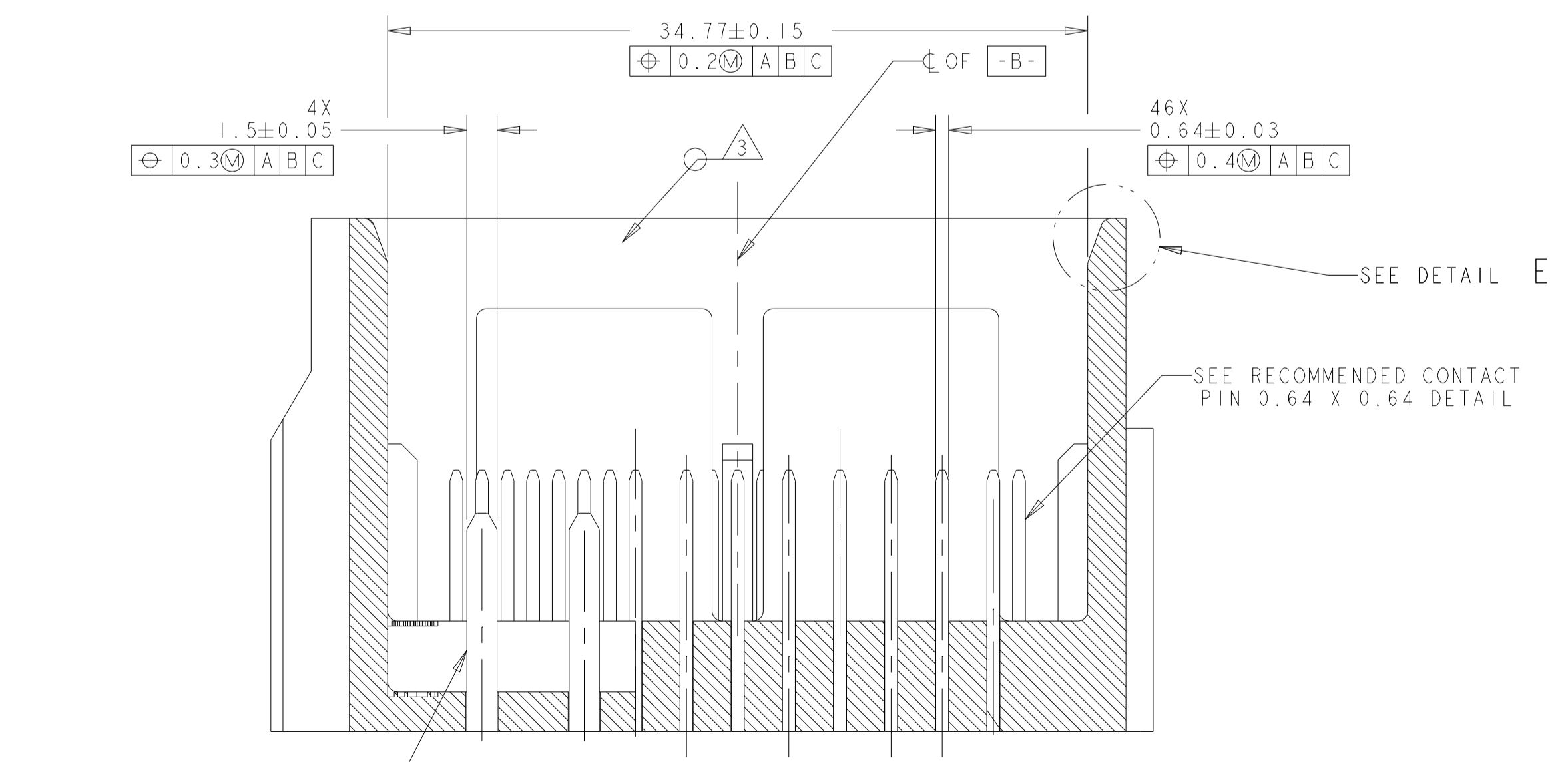
SCALE 2:1



SECTION B-B



DETAIL E  
SCALE 8:1



SECTION A-A

SEE RECOMMENDED CONTACT  
PIN 0.8 X 1.5 DETAIL

SEE DETAIL E

SEE RECOMMENDED CONTACT  
PIN 0.64 X 0.64 DETAIL

NOTES: UNLESS OTHERWISE SPECIFIED

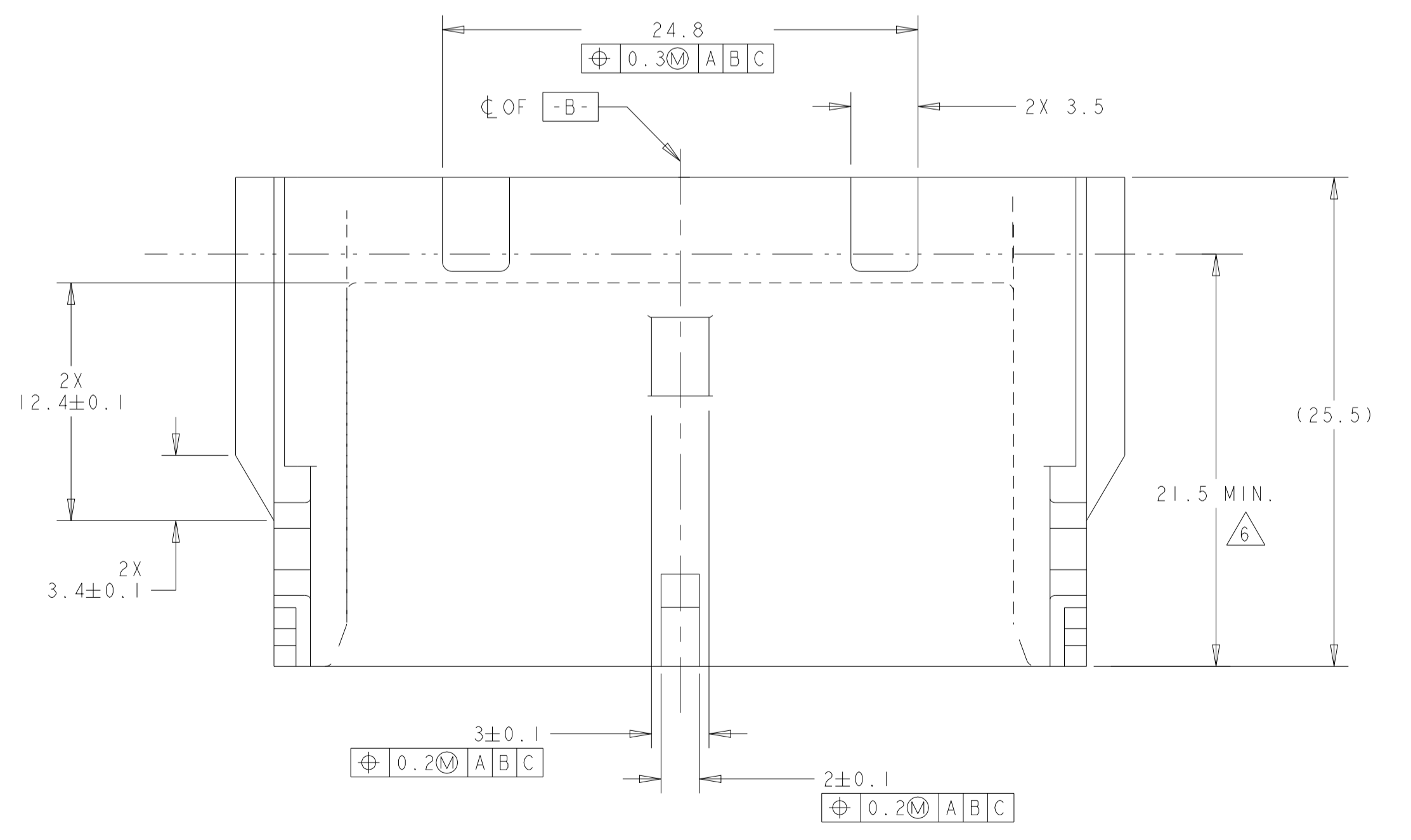
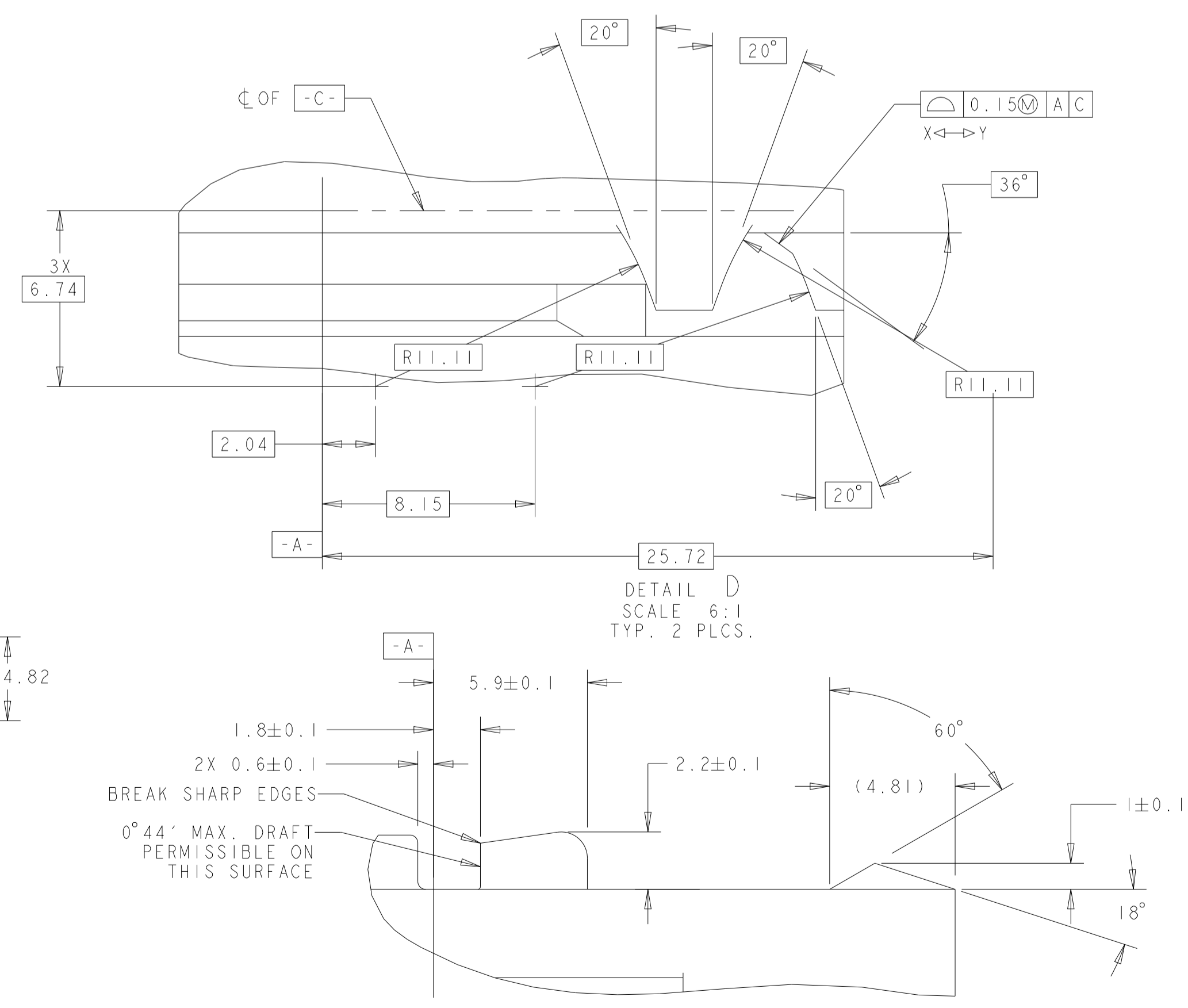
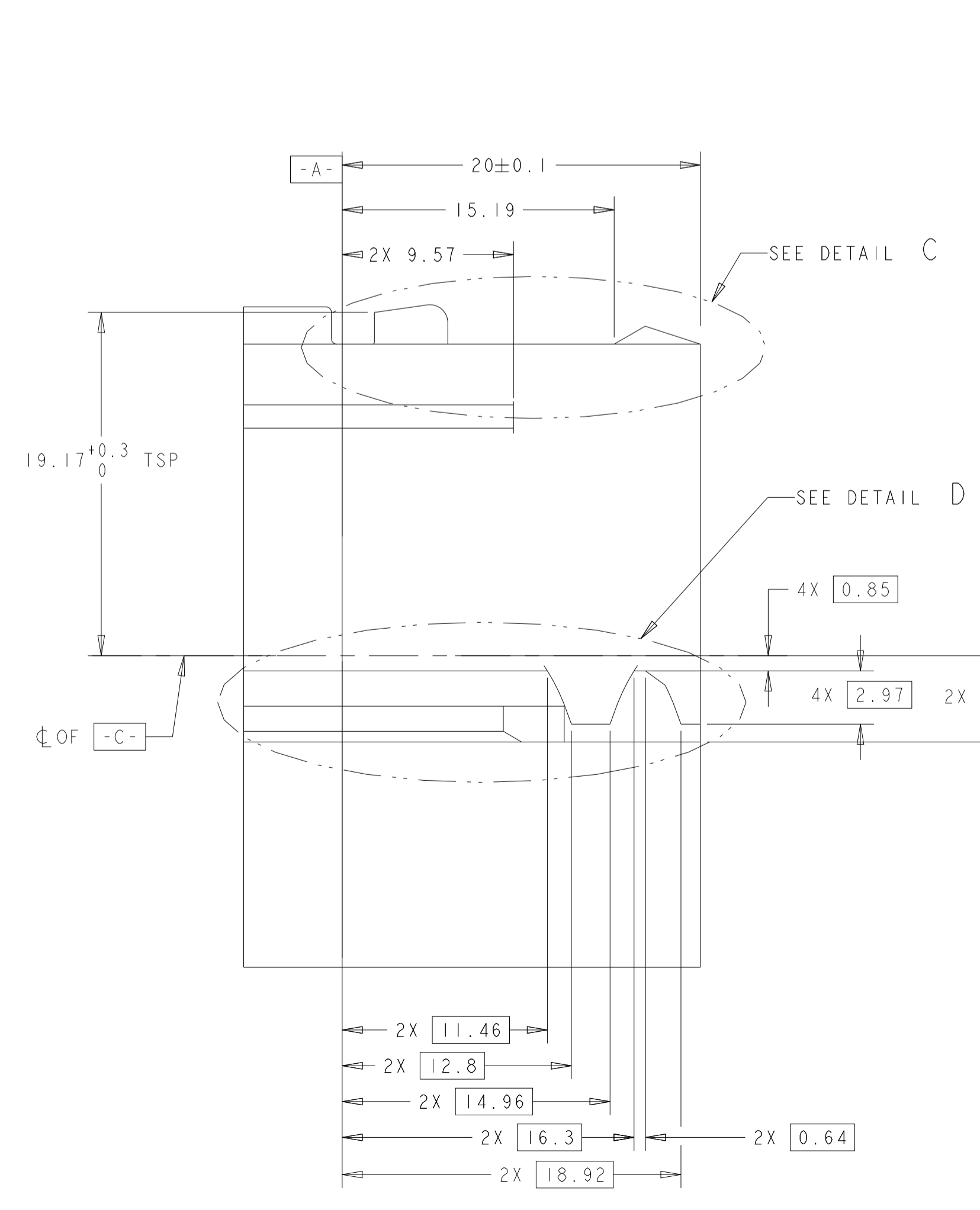
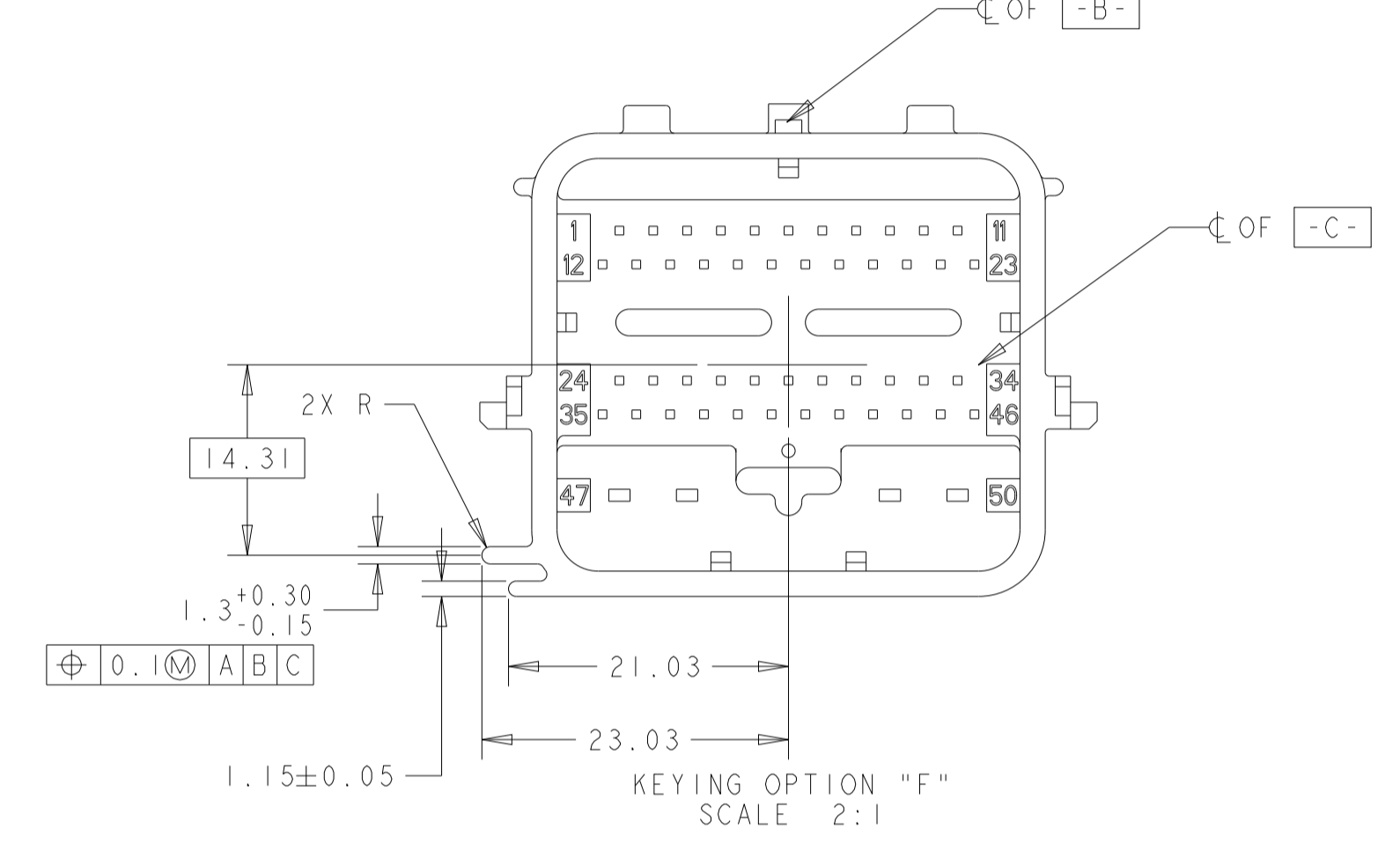
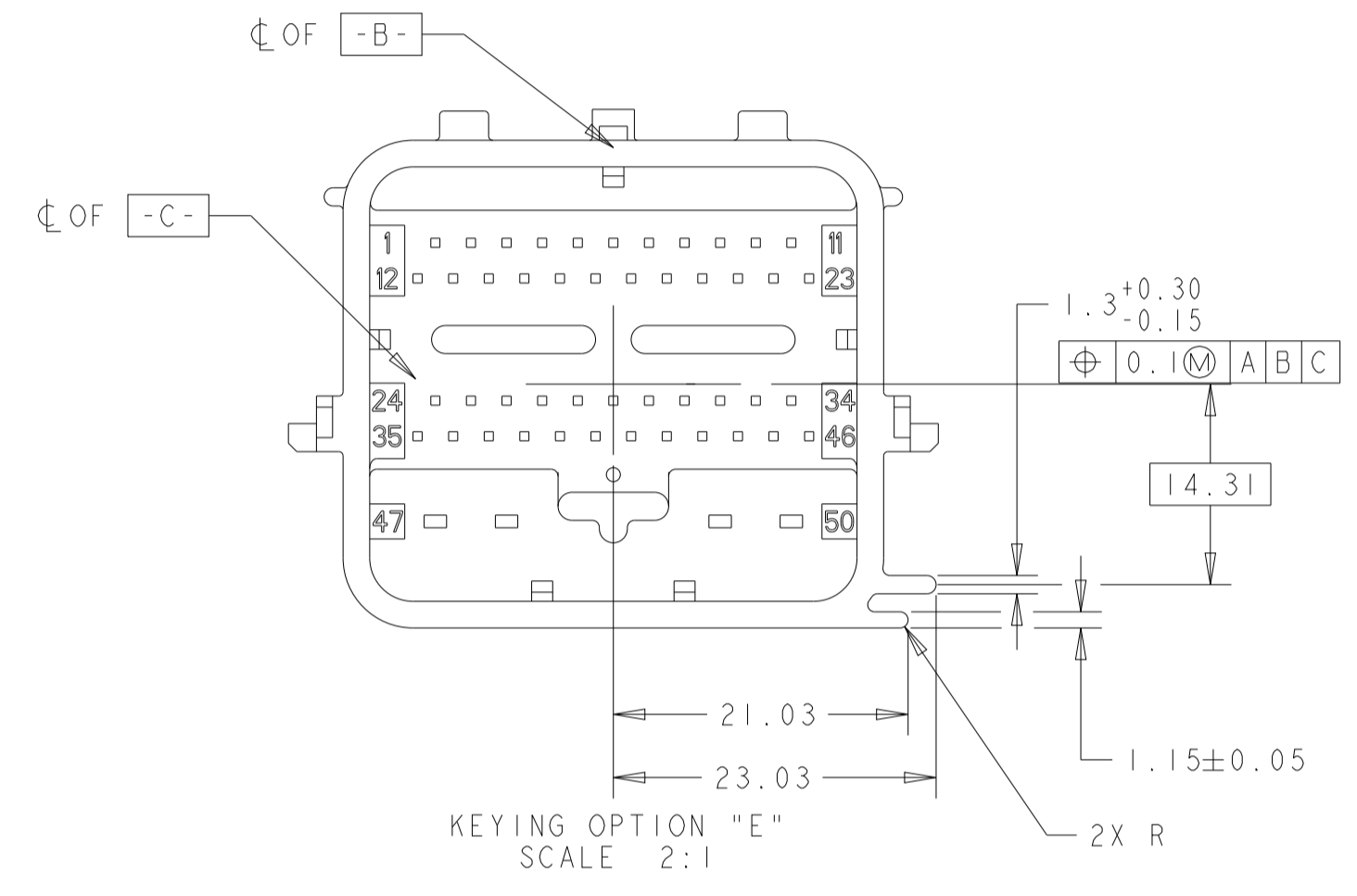
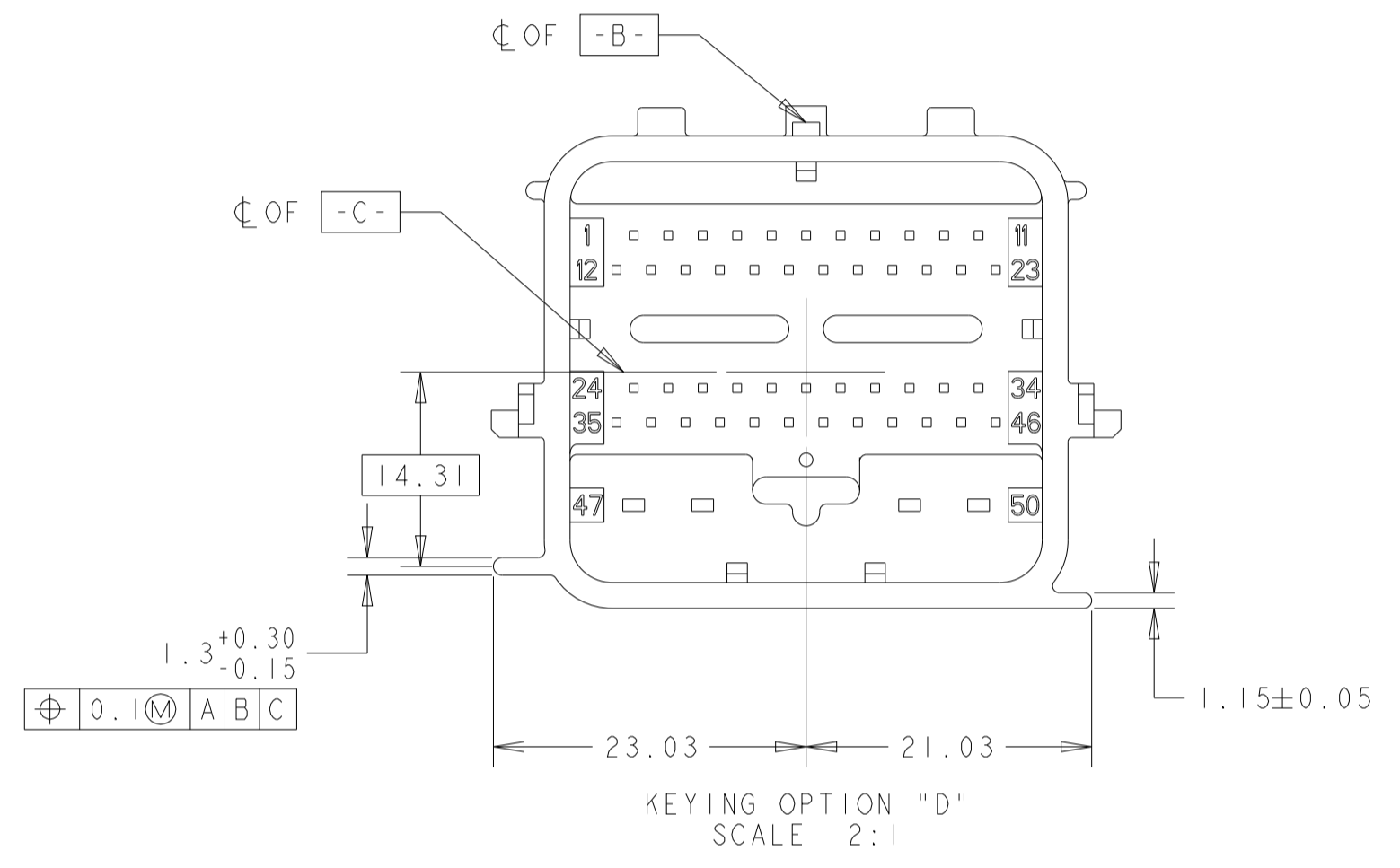
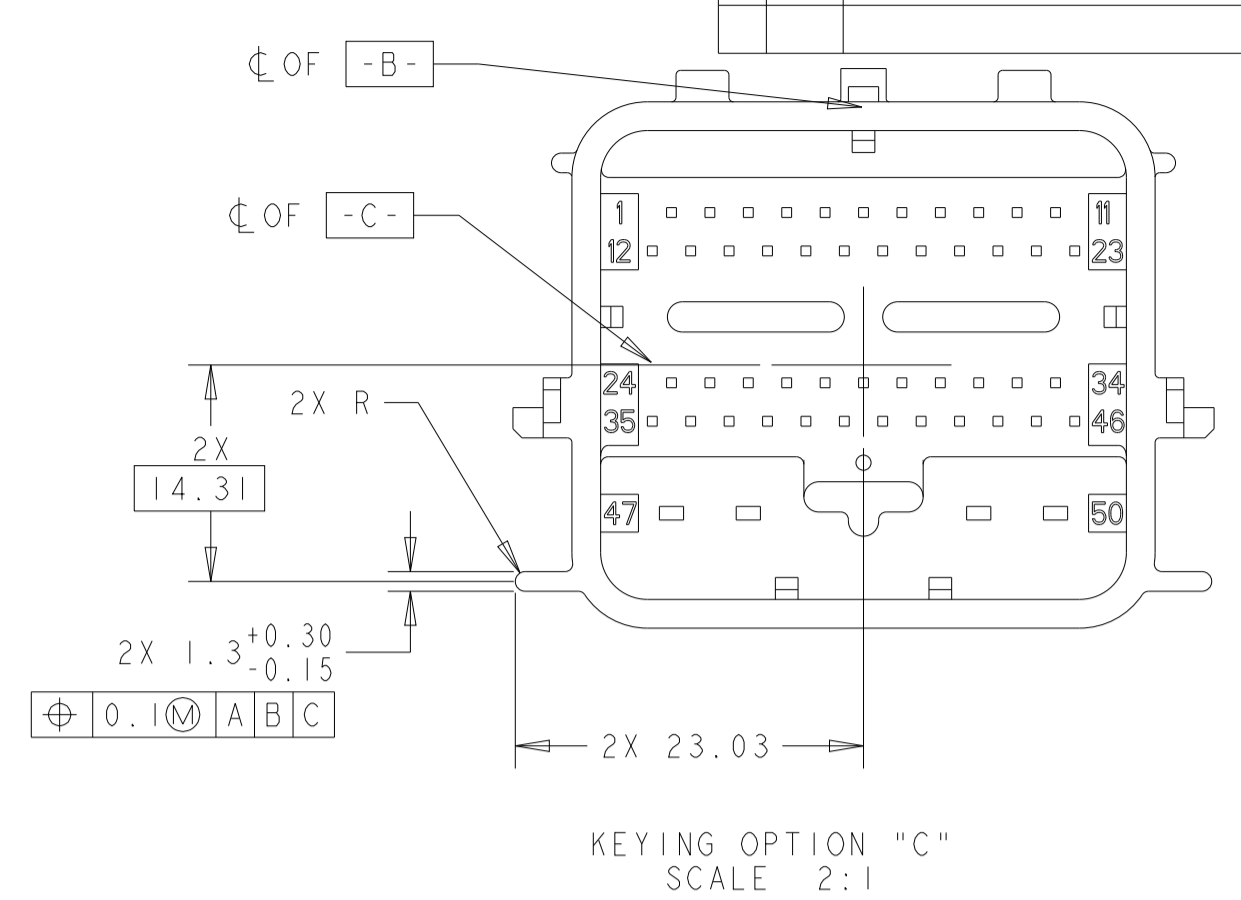
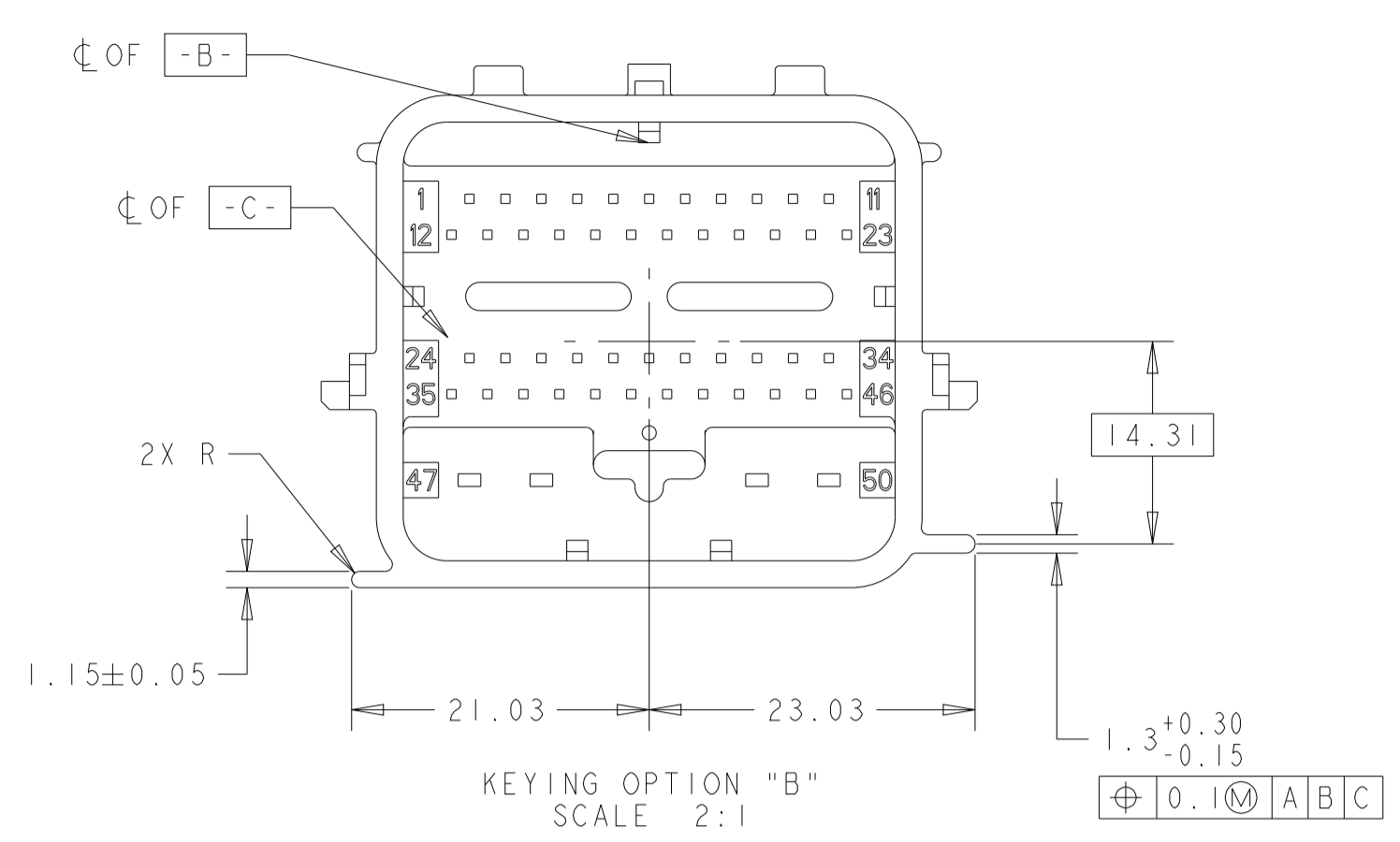
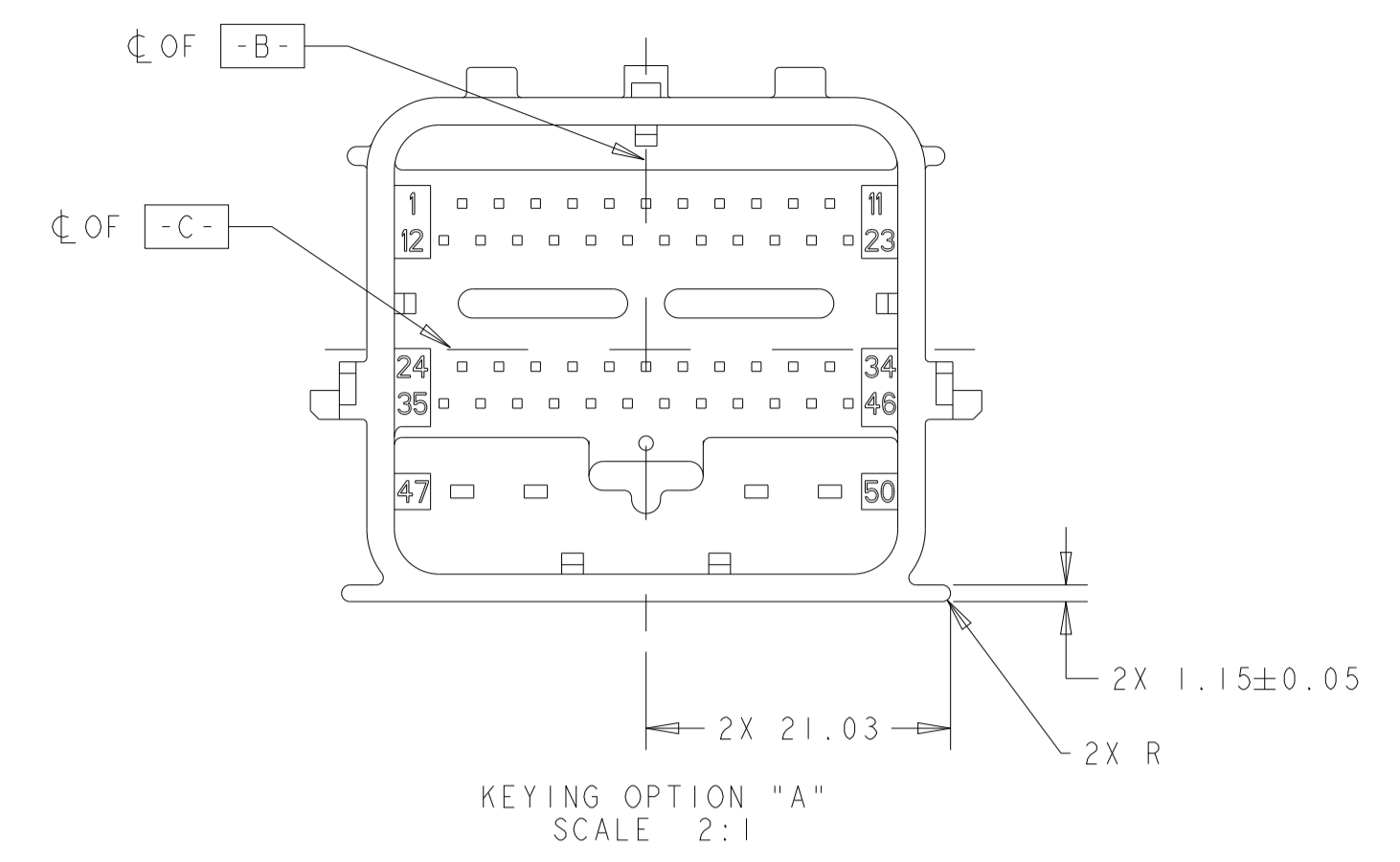
1. GENERAL TOLERANCE:  
±0.3 ALL ONE PLACE DIMENSIONS  
±0.10 ALL TWO PLACE DIMENSIONS  
±1°00' ALL ANGULAR DIMENSIONS
2. DRAFT ANGLE PERMISSIBLE ONLY WITHIN DRAWING TOLERANCE.
3. SEALING SURFACE, NO WITNESS LINES OR DAMAGE PERMITTED.
4. ALL UNMARKED RADII TO BE 0.5 MAX., UNLESS OTHERWISE SPECIFIED.
5. VENT HOLE SIZE AND LOCATION IS OPTIONAL.
6. THIS AREA TO REMAIN CLEAR FOR THE HARNESS ASSEMBLY.
7. TERMINAL POSITION IDENTIFICATION.
8. MATES WITH TYCO ELECTRONICS PART NUMBERS 1438129-# & 1438950-#

REVISIONS				
P	LTN	DESCRIPTION	DATE	APVD
-	-	SEE SHEET 1	-	-

THIS DRAWING IS A CONTROLLED DOCUMENT.		OWN: R. VESTAL 15APR2005																	
DIMENSIONS: mm		CHK: T. VALASEK 15APR2005																	
<table border="1"> <tr> <th>PLC</th> <th>TOLERANCES UNLESS OTHERWISE SPECIFIED:</th> </tr> <tr> <td>0 PLC</td> <td>±</td> </tr> <tr> <td>1 PLC</td> <td>±0.3</td> </tr> <tr> <td>2 PLC</td> <td>±0.10</td> </tr> <tr> <td>3 PLC</td> <td>±</td> </tr> <tr> <td>4 PLC</td> <td>±</td> </tr> <tr> <td>ANGLES</td> <td>±1°</td> </tr> <tr> <td>FINISH</td> <td></td> </tr> </table>		PLC	TOLERANCES UNLESS OTHERWISE SPECIFIED:	0 PLC	±	1 PLC	±0.3	2 PLC	±0.10	3 PLC	±	4 PLC	±	ANGLES	±1°	FINISH		APVD: T. VALASEK 15APR2005	NAME: 50-WAY HARNESS ASSEMBLY, PCM
PLC	TOLERANCES UNLESS OTHERWISE SPECIFIED:																		
0 PLC	±																		
1 PLC	±0.3																		
2 PLC	±0.10																		
3 PLC	±																		
4 PLC	±																		
ANGLES	±1°																		
FINISH																			
MATERIAL:		APPLICATION SPEC:	SIZE: CAGE CODE: DRAWING NO: A100779C=1438129																
CUSTOMER DRAWING		WEIGHT:	RESTRICTED TO: SCALE: 1:1 SHEET 9 OF 10 REV: F42																

### HEADER INTERFACE KEYING OPTIONS

REVISIONS				
P	LTN	DESCRIPTION	DATE	OWN APVD
-	SEE SHEET 1			



THIS DRAWING IS A CONTROLLED DOCUMENT.		OWN: R. VESTAL 15APR2005	
DIMENSIONS: mm		CHK: T. VALASEK 15APR2005	
TOLERANCES UNLESS OTHERWISE SPECIFIED:		APVD: T. VALASEK 15APR2005	NAME: 50-WAY HARNESS ASSEMBLY, PCM SIZE: CAGE CODE: DRAWING NO: A100779C=1438129 WEIGHT: CUSTOMER DRAWING
0 PLC ± 1 PLC ±0.3 2 PLC ±0.10 3 PLC ± 4 PLC ± ANGLES ± FINISH ±		PRODUCT SPEC: APPLICATION SPEC: SCALE: 1:1 SHEET 10 OF 10 REV: F42	

## X-ON Electronics

Largest Supplier of Electrical and Electronic Components

*Click to view similar products for [Terminals](#) category:*

*Click to view products by [TE Connectivity](#) manufacturer:*

Other Similar products are found below :

[00-054007-01074-6](#) [00-054007-70206-1](#) [00-054007-70210-8](#) [00-054007-70217-7](#) [00-054007-70228-3](#) [00-054007-70256-6](#) [00-054007-70316-7](#) [00-054007-49560-4](#) [00-054007-70209-2](#) [00-054007-70231-3](#) [00-054007-70241-2](#) [00-054007-70242-9](#) [00-054007-70246-7](#) [00-054007-70263-4](#) [00-054007-70288-7](#) [00-054007-70290-0](#) [00-054007-70300-6](#) [00-054007-70304-4](#) [01-2900-1-04412](#) [00581P0075](#) [600TS-10](#) [605601-1](#) [60598-1-CUT-TAPE](#) [60617-1-C](#) [61314-6-C](#) [61810-3](#) [626-0194](#) [63-S](#) [M55155/059I03](#) [M55155/079C01](#) [M55155/099B03](#) [M55155/099H02](#) [M55155/109H01](#) [M55155/12XH05](#) [M55155/29-5S](#) [M55155/29XJ08](#) [M55155/30-6S](#) [M55155/30-9S](#) [M55155/30XI09](#) [M6-14RSX](#) [696683-1](#) [696861-1](#) [696999-1](#) [M86700006](#) [D18-110B-C](#) [D18-110B-M](#) [701-1936](#) [701-1955](#) [701-2003](#) [701-2007](#)