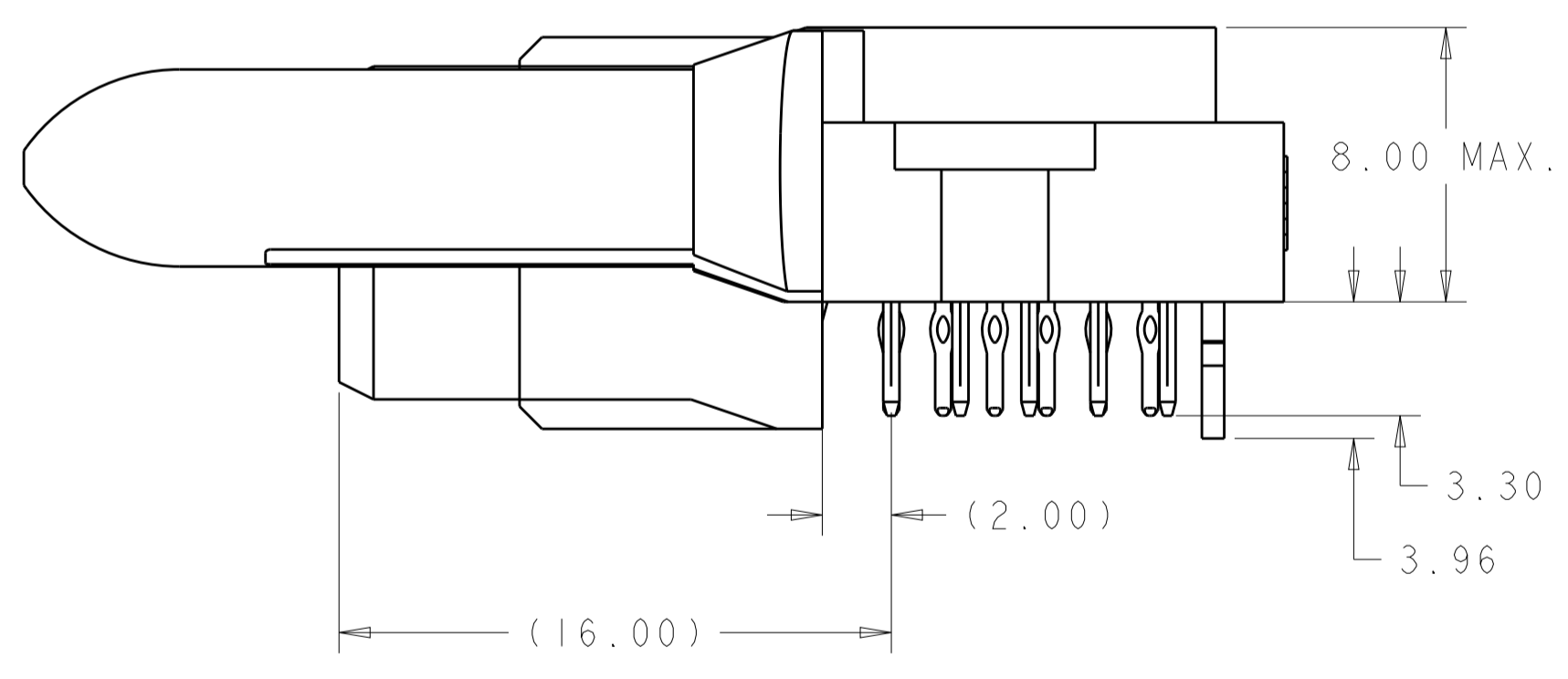
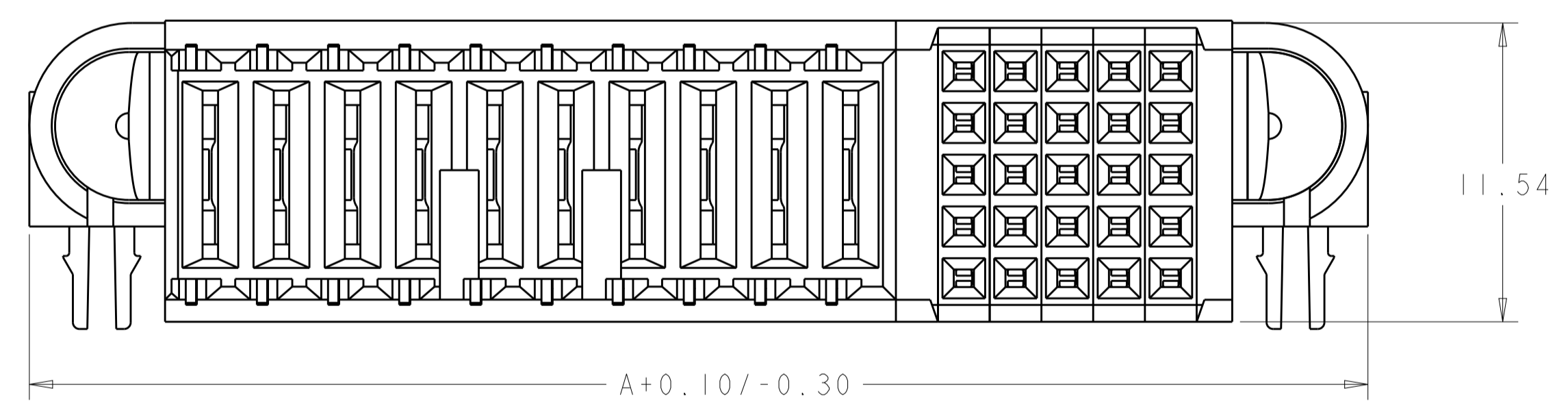
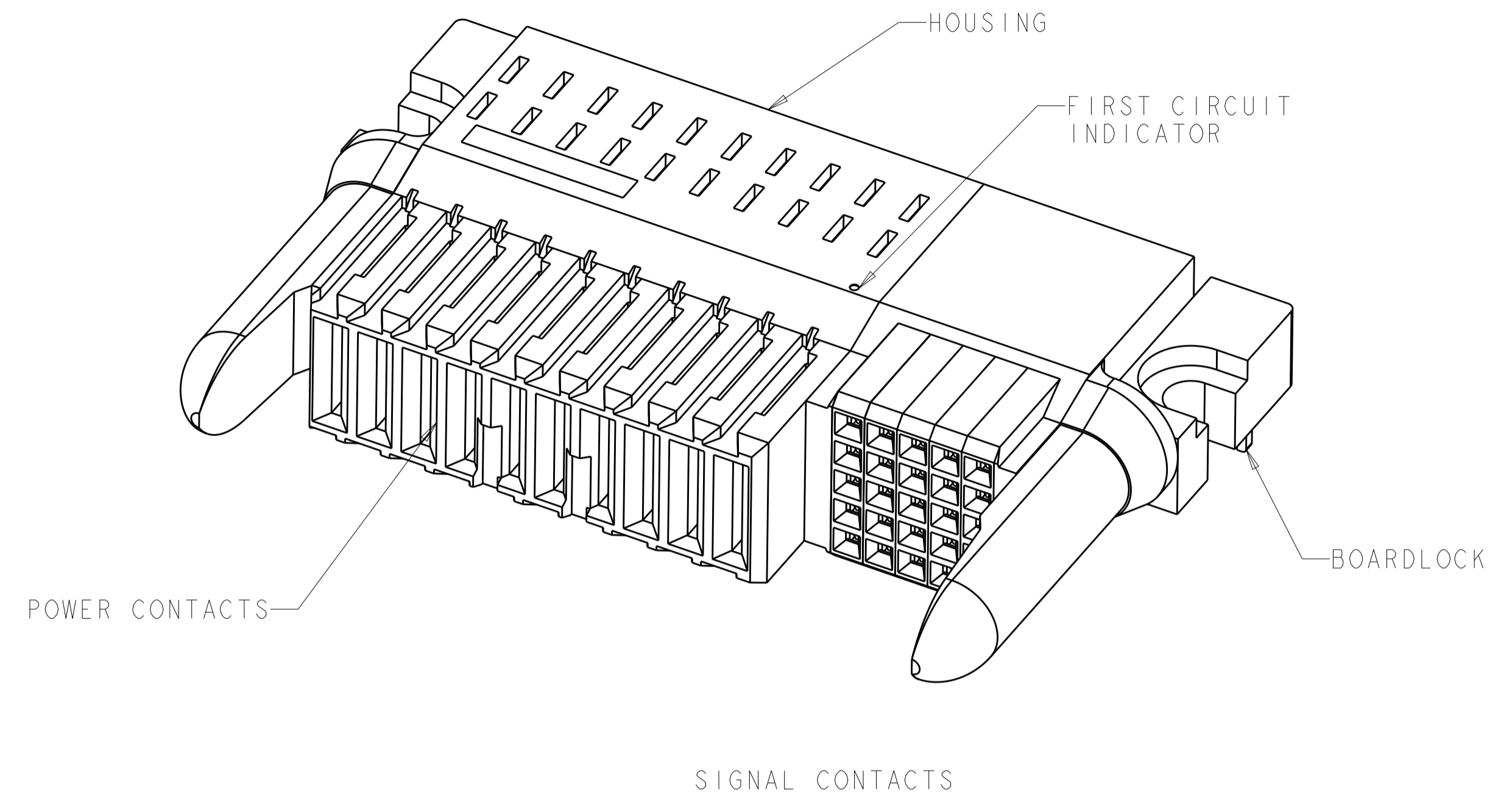
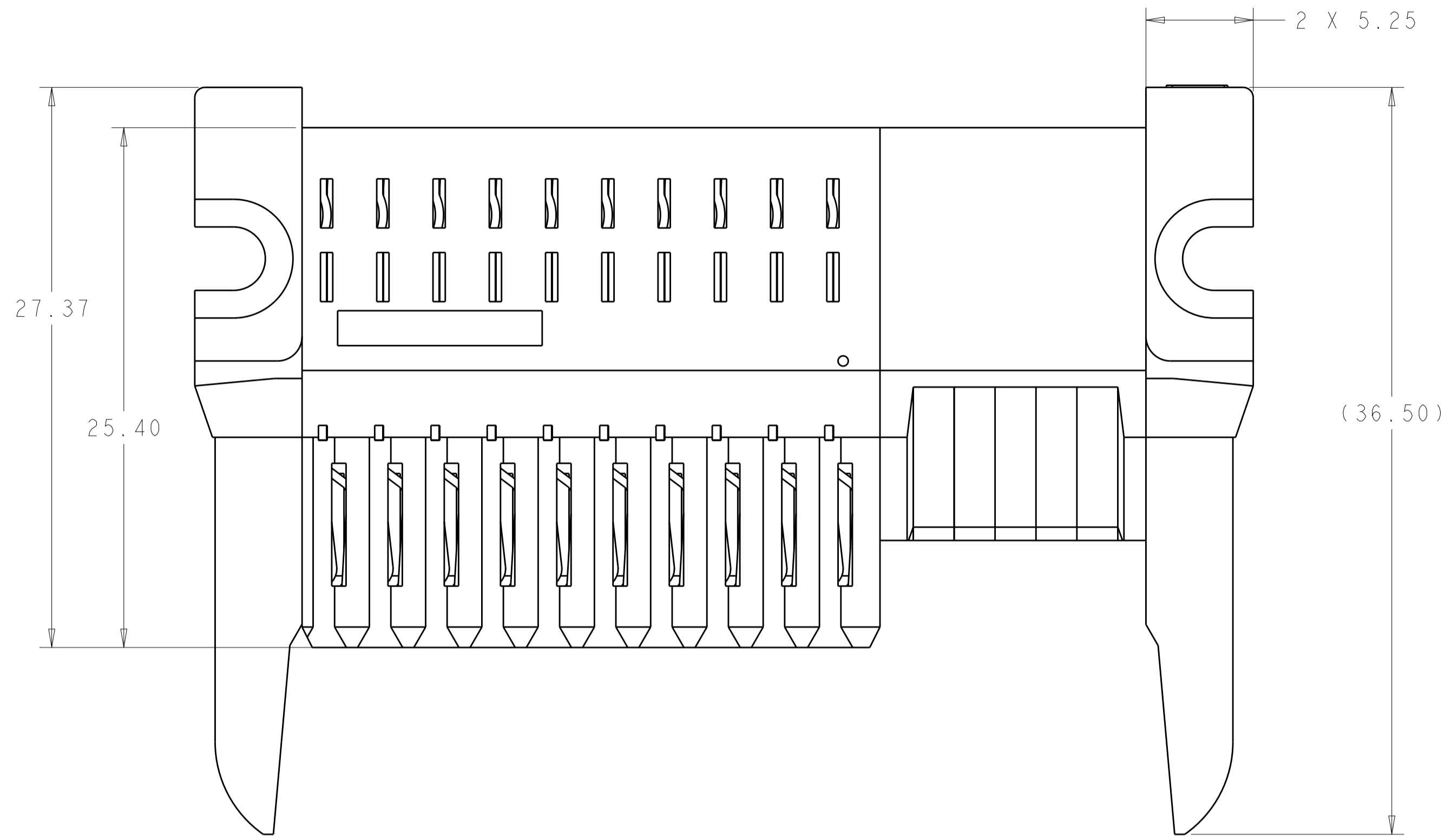


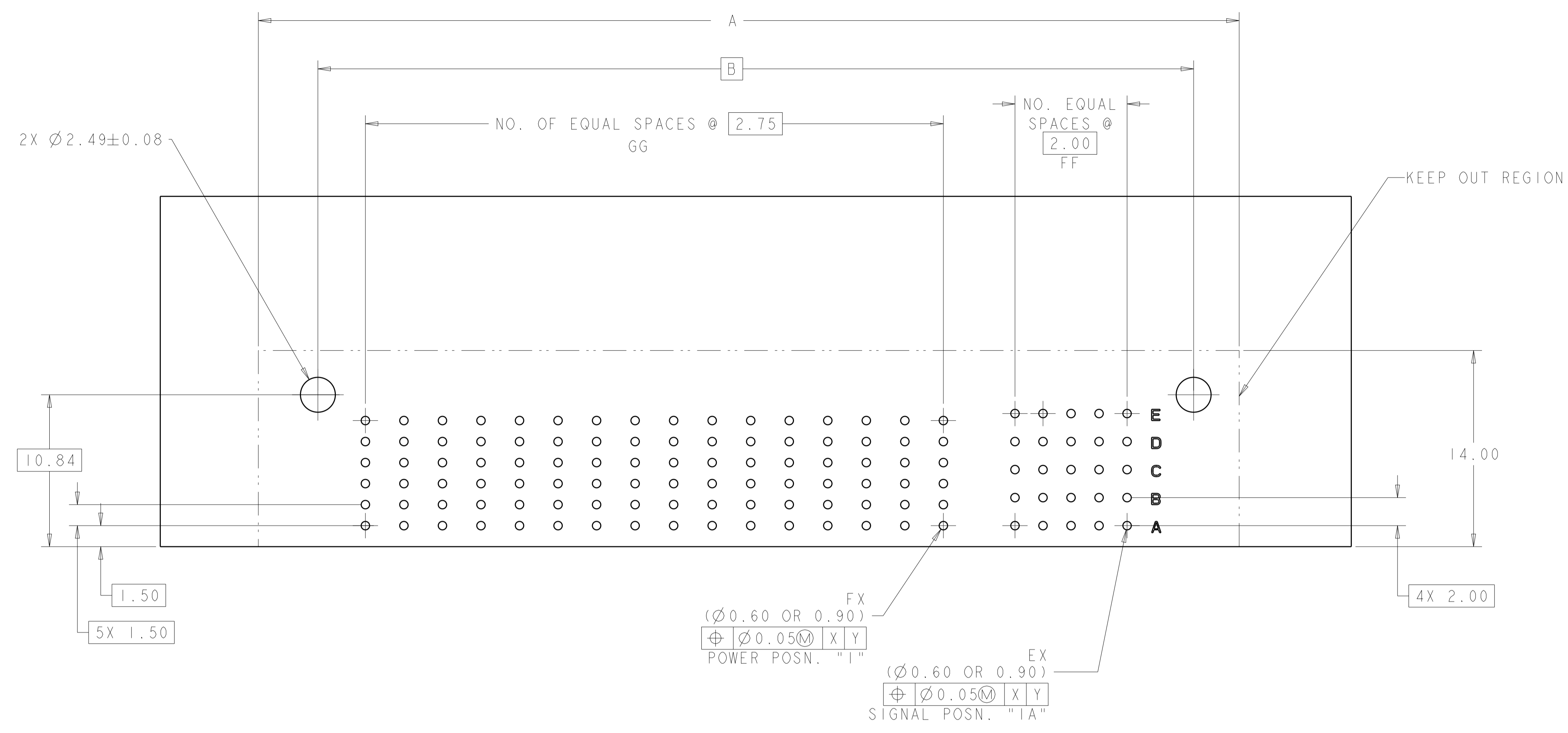
LOC		DIST		REVISIONS			
P	LTN	DESCRIPTION	DATE	DWN	APVD		
1		PRELIMINARY	19OCT2007	GIP	NLR		
2		FIRST RELEASE	19DEC2011	OL	SZ		
4		ADD 6--2	21NOV2013	OL	SZ		



120	35	19	6	79.44	83.24	35S X 20P	6-1926731-2
96	25	15	4	64.44	68.24	25S X 16P	4-1926731-6
60	25	9	4	47.94	51.74	25S X 10P	2-1926731-5
48	4	7	4	42.44	46.24	25S X 8P	1-1926731-8
QTY F	QTY E	NO. SPACES D	NO. SPACES C	B	A	NUMBER OF POSITIONS	PRODUCT NUMBER

<small>THIS DRAWING IS UNPUBLISHED. RELEASED FOR PUBLICATION BY TYCO ELECTRONICS CORPORATION. ALL RIGHTS RESERVED.</small> <small>IT IS THE BUYER'S RESPONSIBILITY TO CONTACT THE SELLER FOR THE LATEST REVISIONS.</small>		DWN: G. PETERS 19OCT2007 CHK: N. REESER APVD: N. REESER	Tyco Electronics Harrisburg, PA 17105-3608
DIMENSIONS: mm TOLERANCES UNLESS OTHERWISE SPECIFIED: 0 PLC ± 1 PLC ±.13 2 PLC ±.13 3 PLC ± 4 PLC ± ANGLES ±		NAME: ASSEMBLY, R/A RECEPTACLE, SIGNAL/POWER, PASSIVE GUIDE, W/BOARDLOCK, MINIPAK HDL APPLICATION SPEC: 6 SIZE: A1100779C=1926731 WEIGHT: - FINISH: -	RESTRICTED TO: - SCALE: 1:1 SHEET 1 OF 2 REV 4
MATERIAL: - FINISH: -		CUSTOMER DRAWING	

LOC	DIST	REVISIONS					
GP	00	P	LTN	DESCRIPTION	DATE	DWN	APVD
-	-	-	-	SEE SHEET 1	-	-	-



RECOMMENDED PCB LAYOUT
 (AS VIEWED FROM CONNECTOR SIDE)

- △ HOUSING: POLYESTER
 POWER CONTACT - HIGH CURRENT COPPER ALLOY
 SIGNAL CONTACT - PHOSPOR BRONZE
- △ POWER CONTACT MATING AREA: 1.27um MIN Au PLATE COMPLIANT PCB TAIL AREA,
 0.5um MIN Sn PLATE ALL OVER, 1.27um MIN Ni UNDERPLATE
 SIGNAL CONTACT MATING AREA: 0.76um Au PLATE COMPLIANT PCB TAIL AREA,
 0.5um MIN Sn PLATE ALL OVER 1.27um Ni UNDERPLATE.
- 3. ITEMS PROVIDED TO THIS DRAWING TO BE PERMANENTLY IDENTIFIED WITH PART NUMBER AND DATE CODE.
- 4. SEE CUSTOMER DRAWING 1926730 FOR MATING PLUG CONNECTOR.
- △ SEE DRAWING 1927633 FOR CONNECTOR W/O BOARD LOCKS
- △ REFERENCE APPLICATION SPEC. 114-1103 FOR RECOMMENDED PLATED THRU HOLE DIAMETER AND PLATING.
- 7. THIS PRODUCT HAS NOT COMPLETED VALIDATION TESTING.

THIS PRINT IS
PRELIMINARY
 UNQUALIFIED PRODUCT
 CONTACT PRODUCT ENGINEERING
 BEFORE USING THIS PRINT

<small>THIS DRAWING IS UNPUBLISHED. RELEASED FOR PUBLICATION BY TYCO ELECTRONICS CORPORATION. ALL RIGHTS RESERVED.</small> <small>THIS IS THE PROPERTY OF TYCO ELECTRONICS CORPORATION. IT IS TO BE USED ONLY FOR THE PURPOSES AND IN THE MANNER SPECIFIED BY THE CUSTOMER. IT IS TO BE RETURNED TO TYCO ELECTRONICS CORPORATION WHEN NO LONGER REQUIRED.</small>		DWN G. PETERS 19OCT2007 CHK N. REESER APVD N. REESER	Tyco Electronics Harrisburg, PA 17105-3608
DIMENSIONS: mm TOLERANCES UNLESS OTHERWISE SPECIFIED: 0 PLC ± 1 PLC ±0.13 2 PLC ± 3 PLC ± 4 PLC ± ANGLES ± FINISH		NAME ASSEMBLY, R/A RECEPTACLE, SIGNAL/POWER, PASSIVE GUIDE, W/BOARDLOCK, MINIPAK HDL PRODUCT SPEC APPLICATION SPEC SIZE CAGE CODE DRAWING NO WEIGHT CUSTOMER DRAWING	RESTRICTED TO A 100779C=1926731 SCALE 1:1 SHEET 2 OF 2 REV 4

X-ON Electronics

Largest Supplier of Electrical and Electronic Components

Click to view similar products for [Power to the Board](#) category:

Click to view products by [TE Connectivity](#) manufacturer:

Other Similar products are found below :

[6450171-4](#) [6450552-7](#) [6600323-8](#) [6643429-1](#) [6646040-2](#) [6651939-1](#) [6766604-1](#) [120959-1](#) [1393557-2](#) [1393532-2](#) [1393532-3](#) [1393532-4](#)
[1393557-1](#) [1600812-5](#) [1-6450861-2](#) [1744132-7](#) [1761122-1](#) [1766250-1](#) [1892109-1](#) [2-6450860-5](#) [2-6450870-0](#) [1-6450161-4](#) [1-6450850-6](#) [1-6450869-6](#) [1645526-2](#) [1-6600130-0](#) [2005243-2](#) [377-0020-11130](#) [TE34-12-16P-F0](#) [5-6450830-6](#) [5646956-4](#) [377-0080-11131A](#) [4-6450830-9](#)
[4-6600333-3](#) [10125416-4050LF](#) [6600320-3](#) [3-6450860-5](#) [1888123-2](#) [6450166-1](#) [6643978-1](#) [6766605-1](#) [701-15-02109](#) [N11444](#) [6651938-1](#)
[6450810-7](#) [46437-1112](#) [1-1589677-8](#) [5646956-5](#) [6450813-2](#) [6450129-4](#)