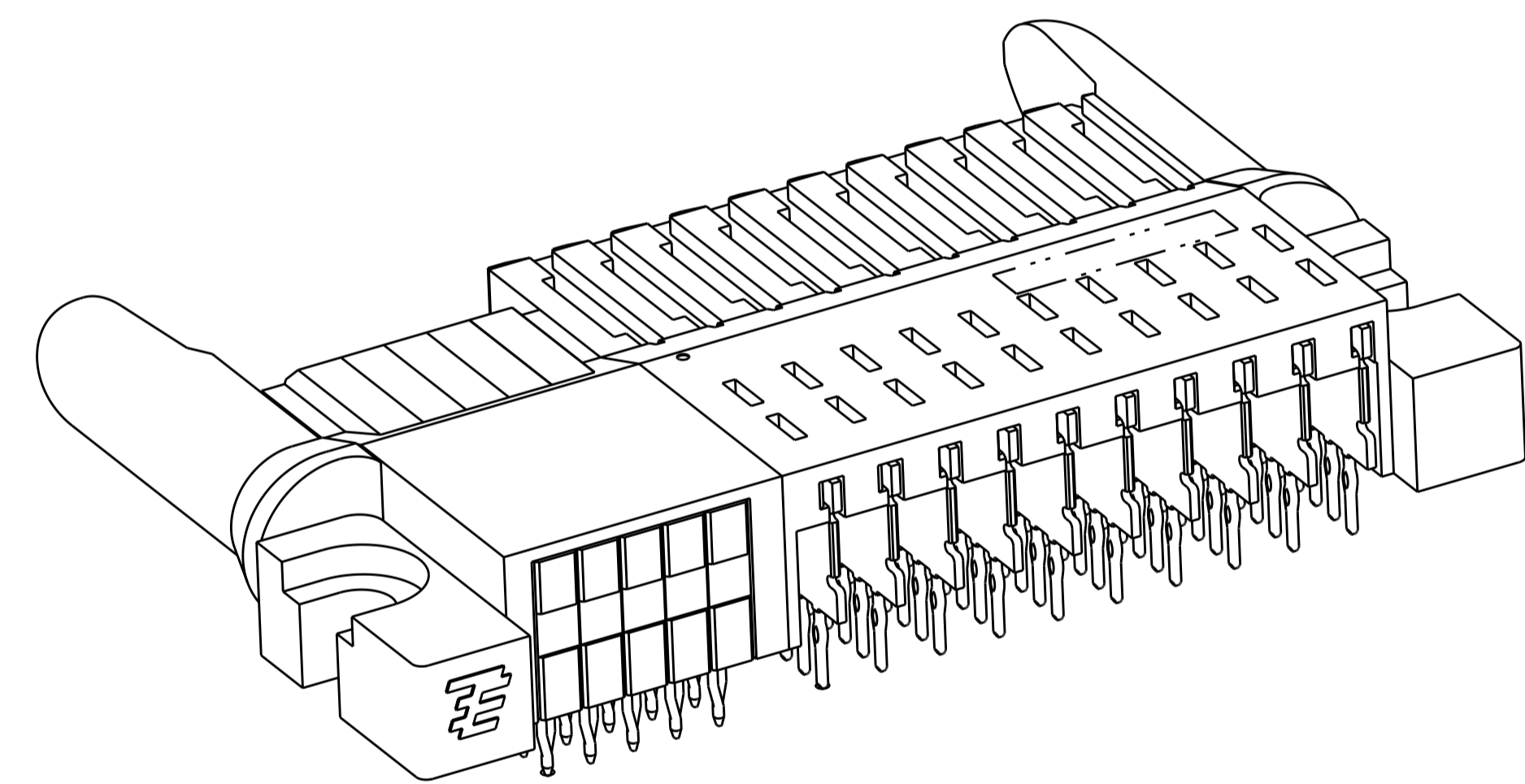
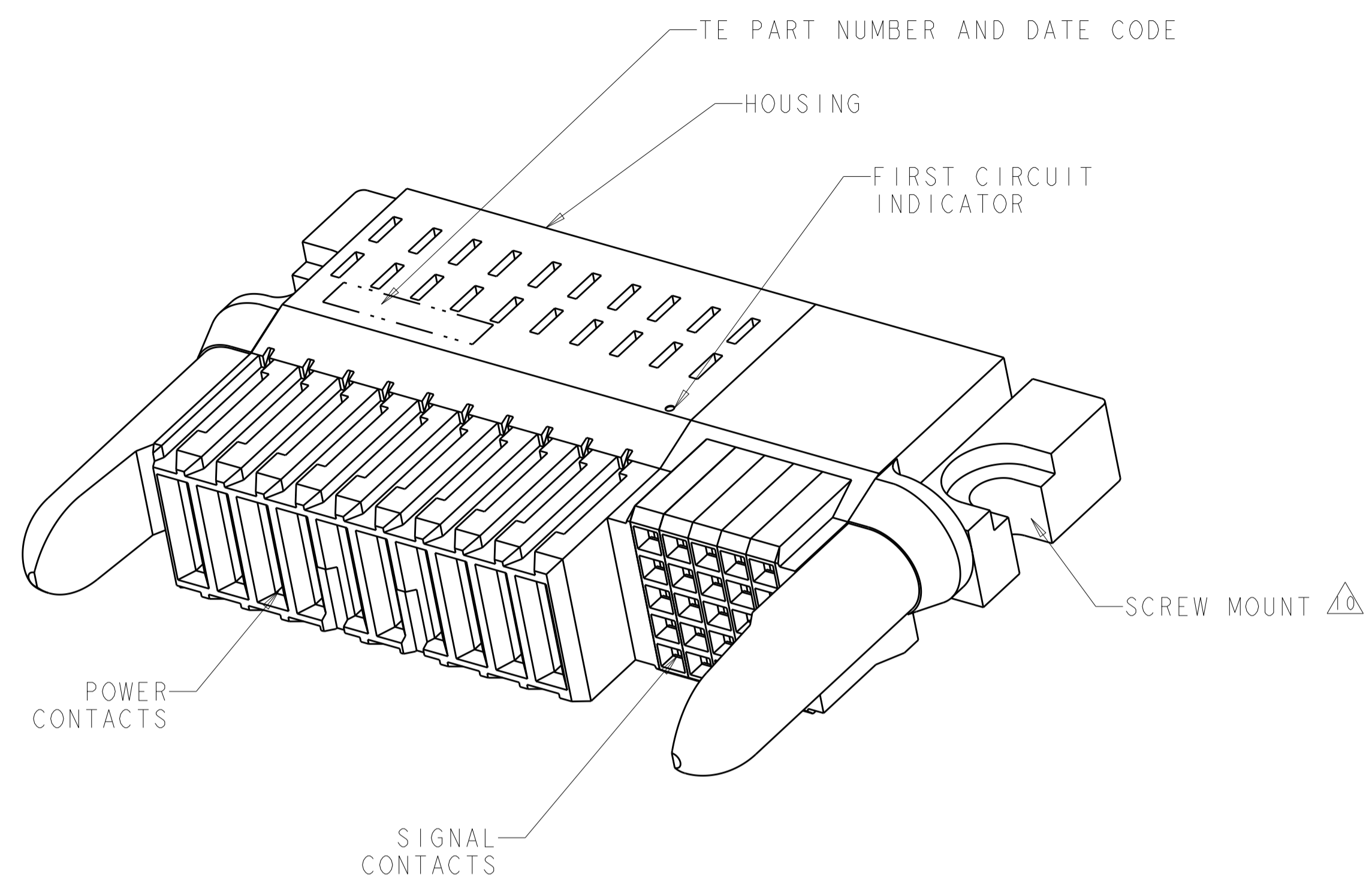


LOC	DIST	REVISIONS					
		P	LTN	DESCRIPTION	DATE	OWN	APVD
AA	00						
	A2			REV PER ECO-13-015117	16SEP2013	OL	SZ
	A3			ADD NEW PART 6--2	18NOV2013	OL	SZ
	A4			ECR-15-001425	19JAN2015	SZ	SZ



**2-1926739-5 SHOWN**

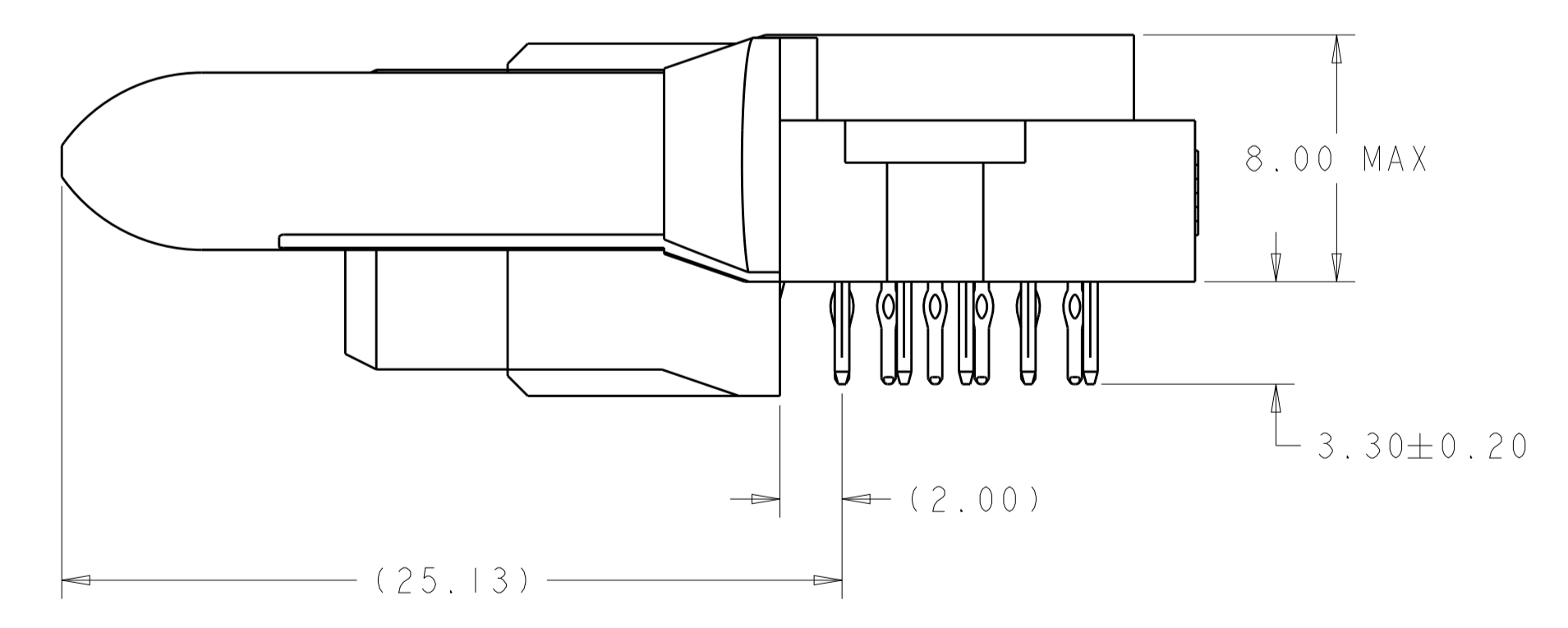
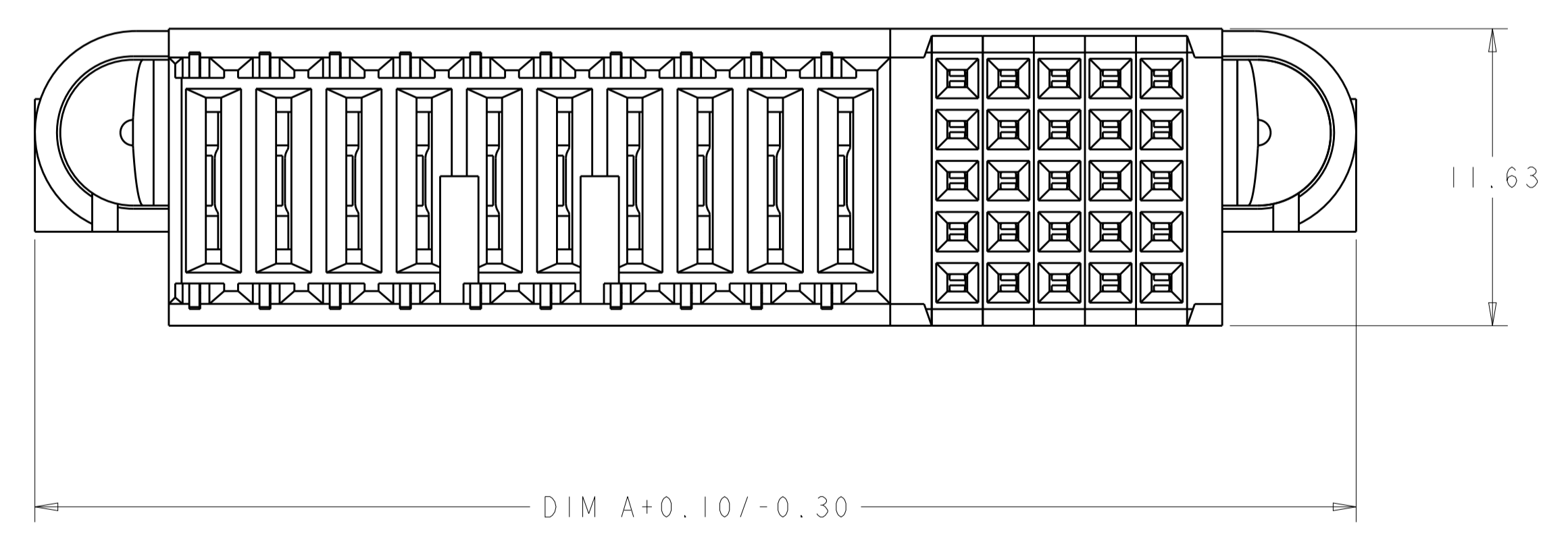
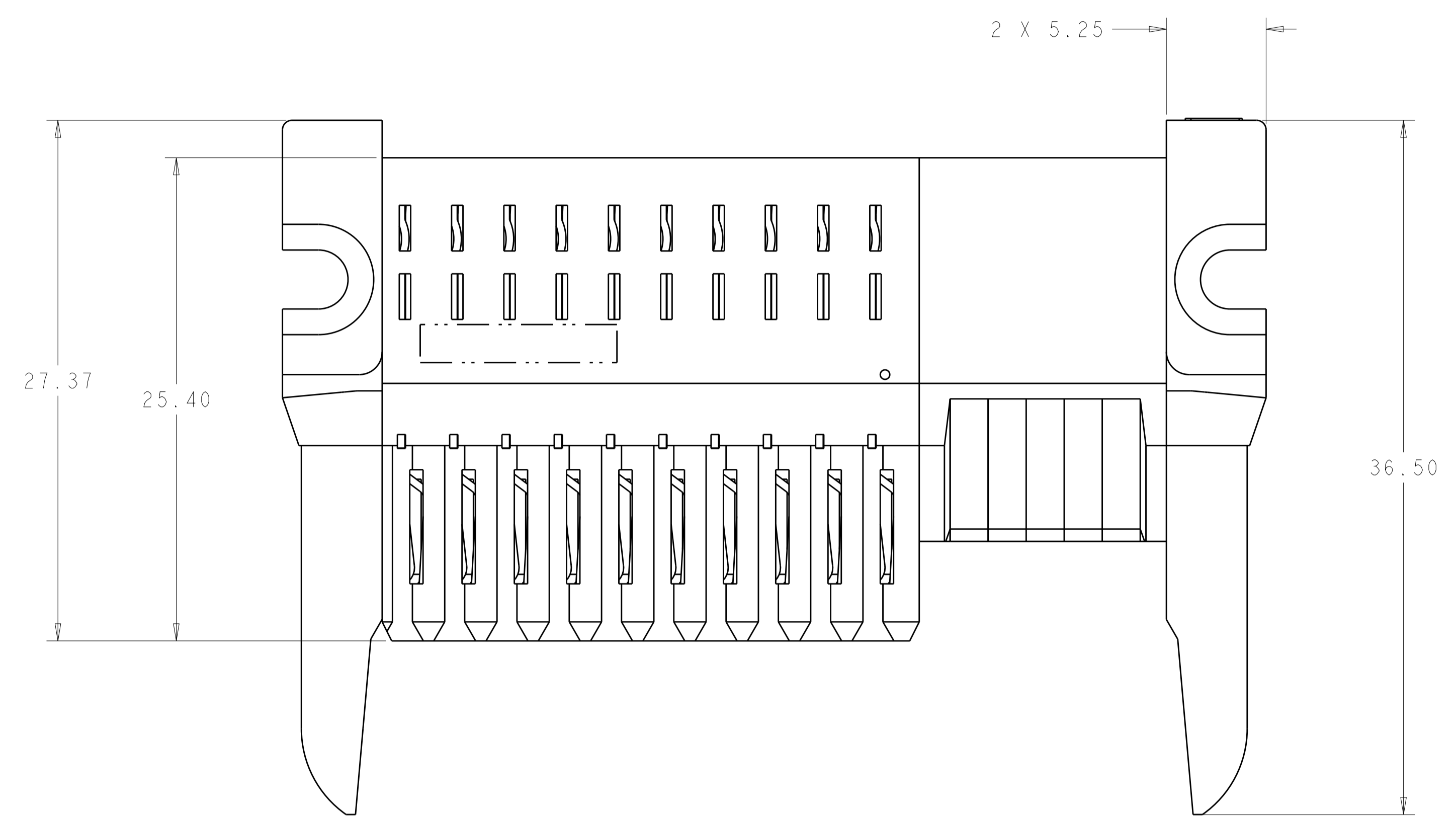
- HOUSING: GLASS FILLED LIQUID CRYSTAL POLYMER, COLOR: BLACK, UL 94 V-O RATED  
 SIGNAL CONTACT: PHOSPHOR BRONZE  
 SIGNAL OVERMOLD: GLASS FILLED POLYESTER  
 POWER CONTACT: COPPER ALLOY
- SIGNAL CONTACT: 0.00127mm MIN NICKEL ALL OVER,  
 MATING AREA: 0.00008mm MIN GOLD OVER  
 0.00076mm MIN PALLADIUM-NICKEL  
 TAIL AREA: 0.0005mm MIN MATTE TIN  
  
 POWER CONTACT: 0.00127mm MIN NICKEL ALL OVER,  
 MATING AREA: 0.00008mm MIN GOLD OVER  
 0.00076mm MIN PALLADIUM-NICKEL,  
 TAIL AREA: 0.0005mm MIN MATTE TIN
- CONTACT MATING AREA LUBRICATED WITH BELLCORE APPROVED LUBRICANT,  
 TECHNICAL REFERENCE: GR-1217-CORE, ISSUE 1, NOVEMBER 1995
- THIS CONNECTOR EMPLOYS UL RECOGNIZED Z-PACK 2mm HM SIGNAL CONTACTS

- △ DATUMS AND BASIC DIMENSIONS TO BE ESTABLISHED BY CUSTOMER
- △ PC BOARD THICKNESS 1.4mm MIN, FOR WAVE SOLDER PC BOARD THICKNESS 2.62 MAX
- △ SEE APPLICATION SPEC 114-13215 FOR PLATED THROUGH HOLE INFORMATION
- 8. SEE CUSTOMER DRAWING 1926730 OR 1926732 FOR MATING CONNECTOR
- △ UNPLATED HOLES
- △ #4-40 UNC PAN HEAD SCREW WITH HEX NUT, NOT SHOWN, SUPPLIED BY CUSTOMER

12	15	1	2	21.94	25.74	15S X 2P	8-1926739-0
144	40	23	7	92.44	96.24	40S X 24P	7-1926739-7
120	35	19	6	79.44	83.24	35S X 20P	6-1926739-2
108	35	17	6	73.94	77.74	35S X 18P	5-1926739-5
96	25	15	4	64.44	68.24	25S X 16P	4-1926739-6
72	15	11	2	49.44	53.24	15S X 12P	3-1926739-0
48	20	7	3	40.44	44.24	20S X 8P	1-1926739-1
72	25	11	4	51.44	57.24	25S X 12P	1926739-9
48	25	7	4	42.44	46.24	25S X 8P	1-1926739-8
36	20	5	3	36.74	40.54	20S X 6P	1-1926739-0
60	25	9	4	47.94	51.74	25S X 10P	2-1926739-5
F PLC	E PLC	D SPACES	C SPACES	DIM B	DIM A	NO OF POSITIONS	PART NUMBER

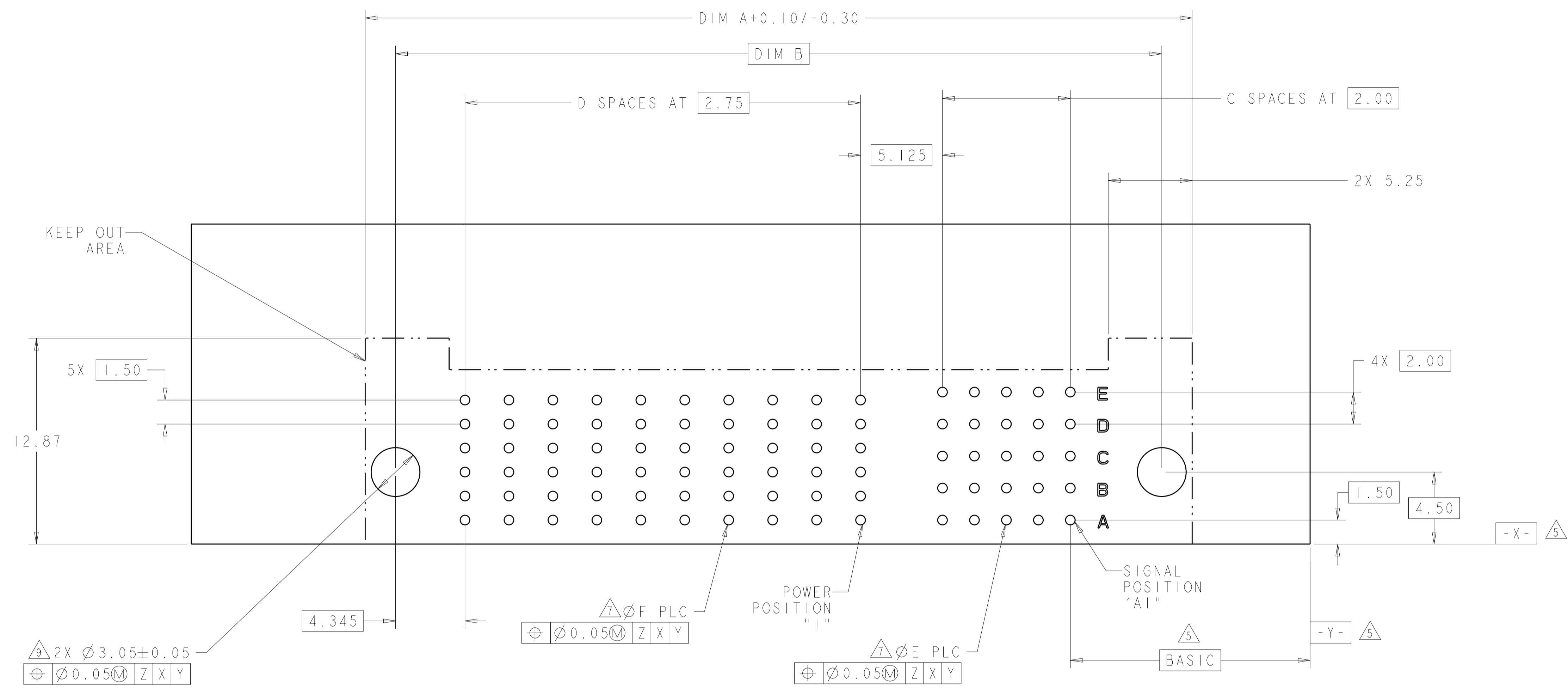
DIMENSIONS: mm 		TOLERANCES UNLESS OTHERWISE SPECIFIED: 0 PLC ± 1 PLC ±0.13 2 PLC ± 3 PLC ± 4 PLC ± ANGLES ±		DWN: ORANDO LI 28OCT2011 CHK: SUNY ZHAO 28OCT2011 APVD: SUNY ZHAO 28OCT2011		Tyco Electronics Shanghai, PR 200233	
MATERIAL: SEE NOTE 1 FINISH: SEE NOTE 2		PRODUCT SPEC: 108-2325 APPLICATION SPEC: 114-13215		NAME: RECEPTACLE ASSEMBLY, RIGHT ANGLE, PASSIVE GUIDE, SIGNAL/POWER, WITH SCREW MOUNT, MINIPAK HDL SIZE: A100779 CAGE CODE: 1926739		RESTRICTED TO: - SCALE: 3:1 SHEET 1 OF 3 REV: A4	

LOC		DIST		REVISIONS			
P	LTN	DESCRIPTION	DATE	DMN	APVD		
-	-	SEE SHEET 1	-	-	-		



DIMENSIONS:		TOLERANCES UNLESS OTHERWISE SPECIFIED:		DWG: ORANDO LL 28OCT2011		Tyco Electronics Shanghai, PR 200233	
mm	0 PLC ±	1 PLC ±0.13	2 PLC ±	3 PLC ±	4 PLC ±	APVD: SUNY ZHAO 28OCT2011	NAME: RECEPTACLE ASSEMBLY, RIGHT ANGLE, PASSIVE GUIDE, SIGNAL/POWER, WITH SCREW MOUNT, MINIPAK HDL
	ANGLES ±	FINISH SEE NOTE 2	PRODUCT SPEC: 108-2325		APPLICATION SPEC: 114-13215		SIZE: A
MATERIAL: SEE NOTE 1	MATERIAL: SEE NOTE 1		WEIGHT: -		CAGE CODE: 1926739		RESTRICTED TO: -
Customer Drawing			SCALE: 3:1	SHEET: 2 OF 3	REV: A4		

LOC	DIST	REVISIONS			
P	LTH	DESCRIPTION	DATE	DWN	APVD
-	-	SEE SHEET 1	-	-	-



**2-1926739-5 SHOWN**  
**RECOMMENDED PRINTED CIRCUIT BOARD LAYOUT**  
 (AS VIEWED FROM COMPONENT SIDE)

<small>THIS DRAWING IS UNPUBLISHED. RELEASED FOR PUBLICATION BY TYCO ELECTRONICS CORPORATION. ALL RIGHTS RESERVED.</small>		DWN: ORANDO LI 28OCT2011 CHK: SUNY ZHAO 28OCT2011 APVD: SUNY ZHAO 28OCT2011	Tyco Electronics Shanghai, PR 200233
DIMENSIONS: mm 	TOLERANCES UNLESS OTHERWISE SPECIFIED: 0 PLC ± 1 PLC ±0.13 2 PLC ± 3 PLC ± 4 PLC ± ANGLES ±	NAME: RECEPTACLE ASSEMBLY, RIGHT ANGLE, PASSIVE GUIDE, SIGNAL/POWER, WITH SCREW MOUNT, MINIPAK HDL PRODUCT SPEC: 108-2325 APPLICATION SPEC: 114-13215 WEIGHT: -	SIZE: A CAGE CODE: 00779 DRAWING NO: C=1926739 RESTRICTED TO: -
MATERIAL: SEE NOTE 1 FINISH: SEE NOTE 2	SCALE: 3:1 SHEET: 3 OF 3 REV: A4	Customer Drawing	DATE: - DWN: - APVD: -

## X-ON Electronics

Largest Supplier of Electrical and Electronic Components

*Click to view similar products for [Power to the Board](#) category:*

*Click to view products by [TE Connectivity](#) manufacturer:*

Other Similar products are found below :

[6450171-4](#) [6450552-7](#) [6600323-8](#) [6643429-1](#) [6646040-2](#) [6651939-1](#) [6766604-1](#) [120959-1](#) [1393557-2](#) [1393532-2](#) [1393532-3](#) [1393532-4](#)  
[1393557-1](#) [1600812-5](#) [1-6450861-2](#) [1744132-7](#) [1761122-1](#) [1766250-1](#) [1892109-1](#) [2-6450860-5](#) [2-6450870-0](#) [1-6450161-4](#) [1-6450850-6](#) [1-](#)  
[6450869-6](#) [1645526-2](#) [1-6600130-0](#) [2005243-2](#) [377-0020-11130](#) [TE34-12-16P-F0](#) [51700-10201602AALF](#) [5-6450830-6](#) [5646956-4](#) [377-](#)  
[0080-11131A](#) [4-6450830-9](#) [4-6600333-3](#) [10125416-4050LF](#) [10130248-005LF](#) [6600320-3](#) [3-6450860-5](#) [1888123-2](#) [6450166-1](#) [6643978-1](#)  
[6766605-1](#) [701-15-02109](#) [N11444](#) [6651938-1](#) [6450810-7](#) [46437-1112](#) [1-1589677-8](#) [5646956-5](#)