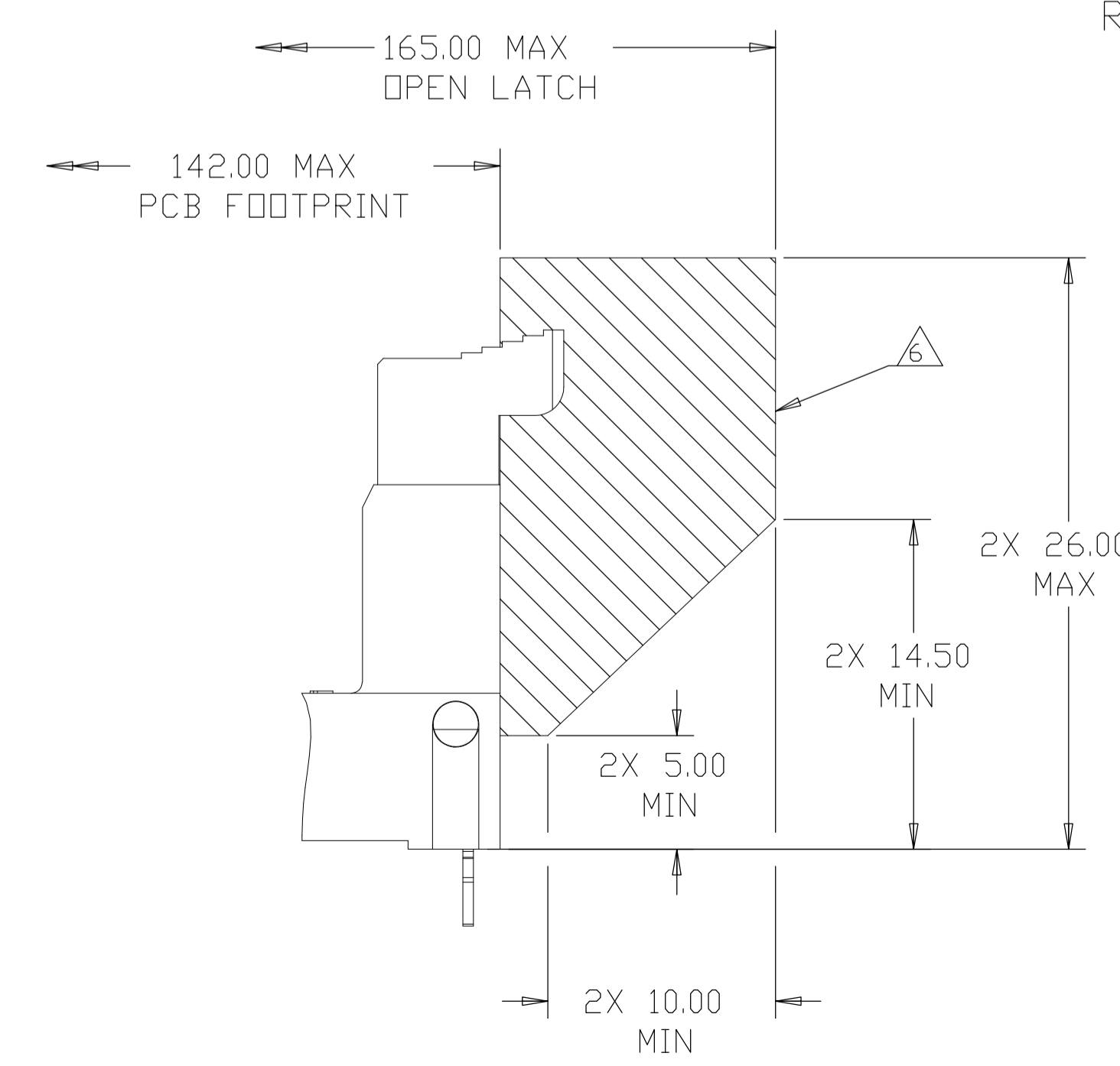
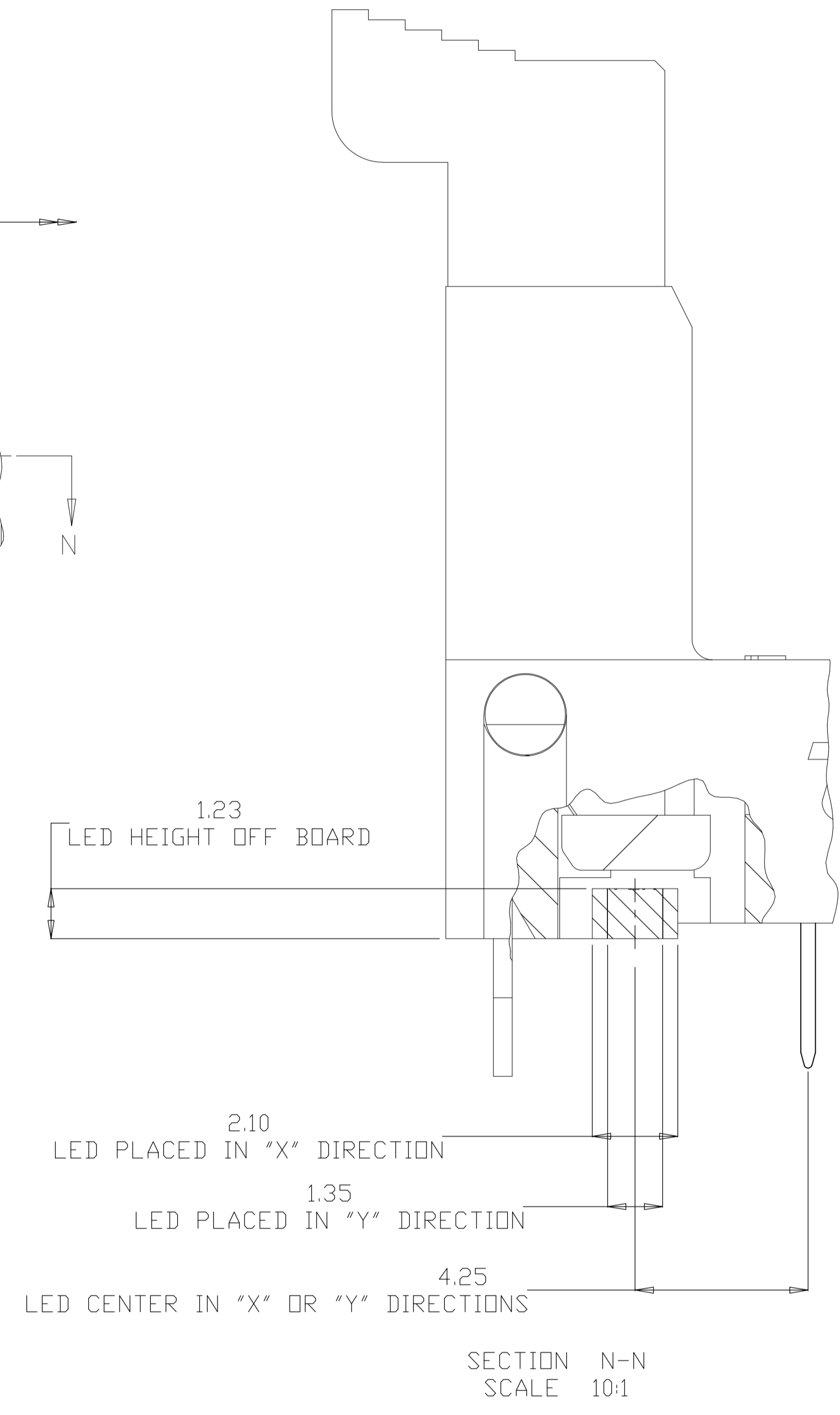
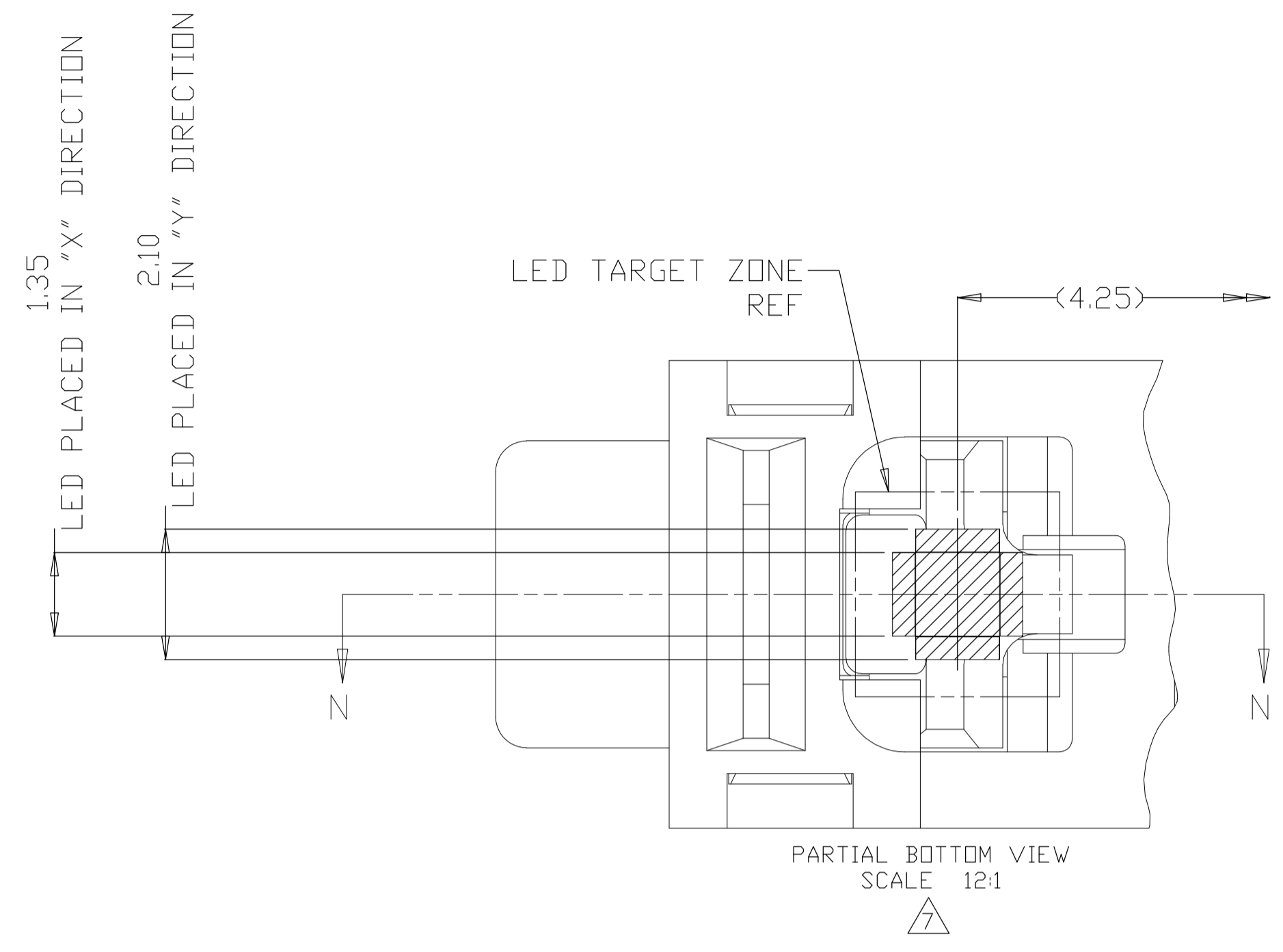


RETENTION BARB TYPE SHOWN ON ALL SHEET UNLESS OTHERWISE NOTED

- MATERIALS:**
- HOUSING: HIGH TEMPERATURE NYLON, UL94 V-0
 - EXTRACTOR: HIGH TEMPERATURE NYLON, UL94 V-0
 - CONTACTS: COPPER ALLOY
 - RETENTION BARB: BRASS, TIN PLATED
- INTERFACE FINISH:**
- (1) 0.00038 MIN THK GOLD OVER 0.00127 MIN THK NICKEL.
 - (2) 0.00008 MIN THK GOLD OVER 0.00127 MIN THK NICKEL.
 - (3) 0.00076 MIN THK GOLD OVER 0.00127 MIN THK NICKEL.
- FINISHED HOLE SIZE:** 0.15 MAXIMUM ANNULAR RING.
- KEEP OUT ZONE:**
- KEEP OUT AREA RESERVED FOR SOCKET EXTRACTORS, BOTH ENDS.
- SOLDERTAIL FINISH:**
- 0.00300 MIN THK MATTE TIN OVER 0.00127 MIN THK NICKEL.
- LED LOCATION AS APPLICABLE PER CUSTOMER.**
- DATUM -G- IS CONNECTOR SIDE SURFACE OF PCB.**



THIS DRAWING IS A CONTROLLED DOCUMENT.		DIN LEO ZHOU 28FEB2007	TE Connectivity
DIMENSIONS: mm		CHK STEVEN YAO 28FEB2007	
TOLERANCES UNLESS OTHERWISE SPECIFIED:		APVD STEVEN YAO 28FEB2007	NAME
0. PLC ± -		PRODUCT SPEC	SOCKET ASSEMBLY, VERTICAL DDR3 DIMM, SOLDER TAIL, 240 POSITION
1. PLC ± 0.5		APPLICATION SPEC	108-2256
2. PLC ± 0.13		SIZE	114-13154
3. PLC ± 0.013		WEIGHT	A1 00779
4. PLC ± 0.0001		SCALE	4:1
ANGLES ± -		SHEET	1 OF 4
FINISH		RESTRICTED TO	REV H7
CUSTOMER DRAWING		DRAWING NO. 1932000	

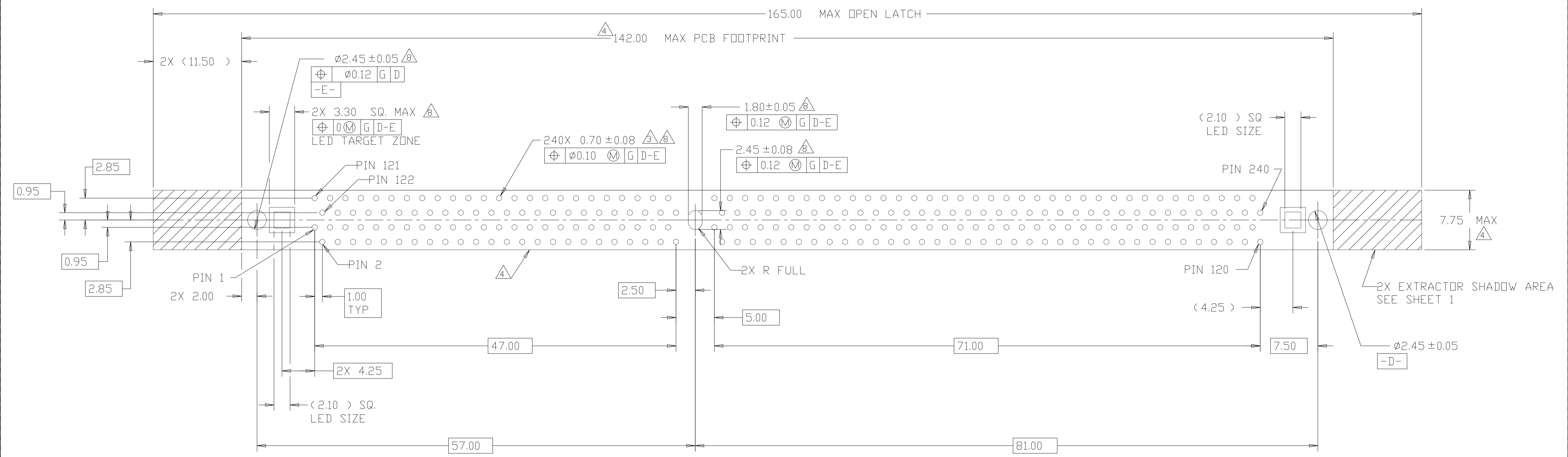


RETENTION BARB	BLACK	BLACK	0.00076 MIN (30u'')	2.54	7-1932000-6
	NATURAL	BLACK		2.54	7-1932000-5
	NATURAL	BLUE(2935U)	0.00038 MIN(15u'')	2.67	7-1932000-2
	NATURAL	PINK(701C)	0.00008 MIN (3u'', FLASH)	2.54	6-1932000-5
		BLUE(284C)		2.54	6-1932000-4
	BLACK	BLACK	0.00076 MIN (30u'')	4.00	5-1932000-2
				3.18	5-1932000-1
	NATURAL	BLACK	0.00076 MIN (30u'')	4.00	4-1932000-8
				3.18	4-1932000-7
				2.67	4-1932000-6
	NATURAL	GREEN(368C) BLUE(284C) ORANGE(021C)	0.00038 MIN (15u'')	2.67	3-1932000-3
				2.67	2-1932000-5
				2.67	2-1932000-1
	BLACK	BLACK	0.00038 MIN (15u'')	3.18	1-1932000-7
				2.67	1-1932000-6
	NATURAL	BLACK	0.00038 MIN (15u'')	4.00	1-1932000-5
3.18				1-1932000-1	
NATURAL	NATURAL	0.00008 MIN (3u'', FLASH)	2.67	1-1932000-0	
			2.67	1932000-7	
			4.00	1932000-6	
			3.18	1932000-5	
NATURAL	NATURAL	0.00038 MIN (15u'')	2.67	1932000-4	
			4.00	1932000-3	
			3.18	1932000-2	
NATURAL	NATURAL	0.00008 MIN (3u'', FLASH)	2.67	1932000-1	
			2.67	1932000-7	
HOUSING STYLE	EXTRACTOR COLOR	HOUSING COLOR	CONTACT GOLD INTERFACE	TAIL LENGTH	PART NUMBER

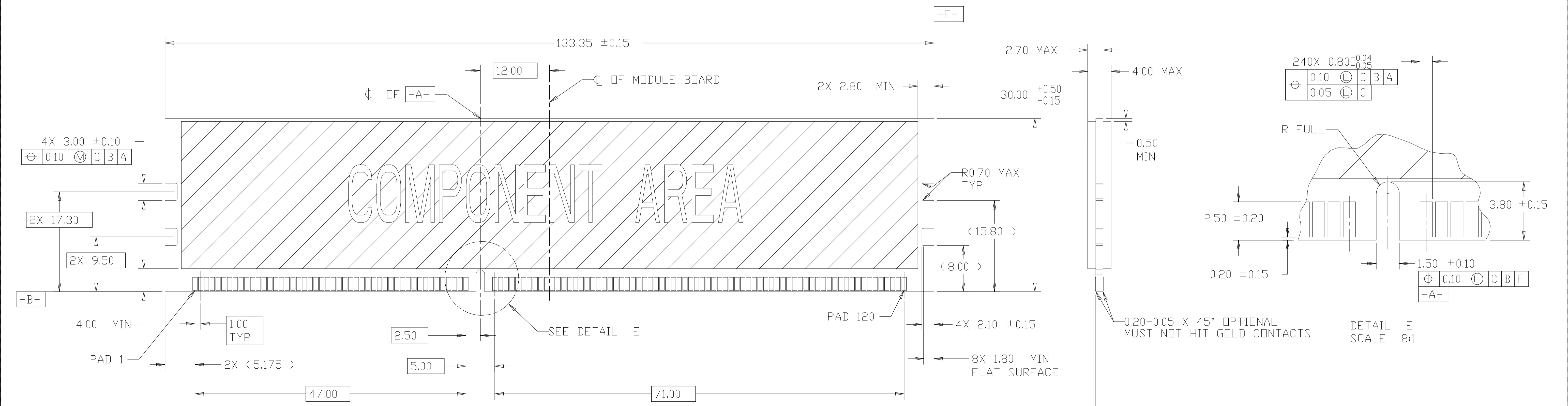
THIS DRAWING IS A CONTROLLED DOCUMENT.

DIMENSIONS: mm	TOLERANCES UNLESS OTHERWISE SPECIFIED:	DIN LEO ZHOU 28FEB2007	STE	TE Connectivity
0 PLC ± -	1 PLC ± 0.5	CHK STEVEN YAO 28FEB2007		
2 PLC ± 0.13	3 PLC ± 0.013	APVD STEVEN YAO 28FEB2007		
4 PLC ± 0.0001	ANGLES ± -			
MATERIAL	FINISH	SIZE A1	00779	1932000
		WEIGHT	CUSTOMER DRAWING	SCALE 4:1 SHEET 2 OF 4 REV H7

SOCKET ASSEMBLY, VERTICAL DDR3 DIMM, SOLDER TAIL, 240 POSITION

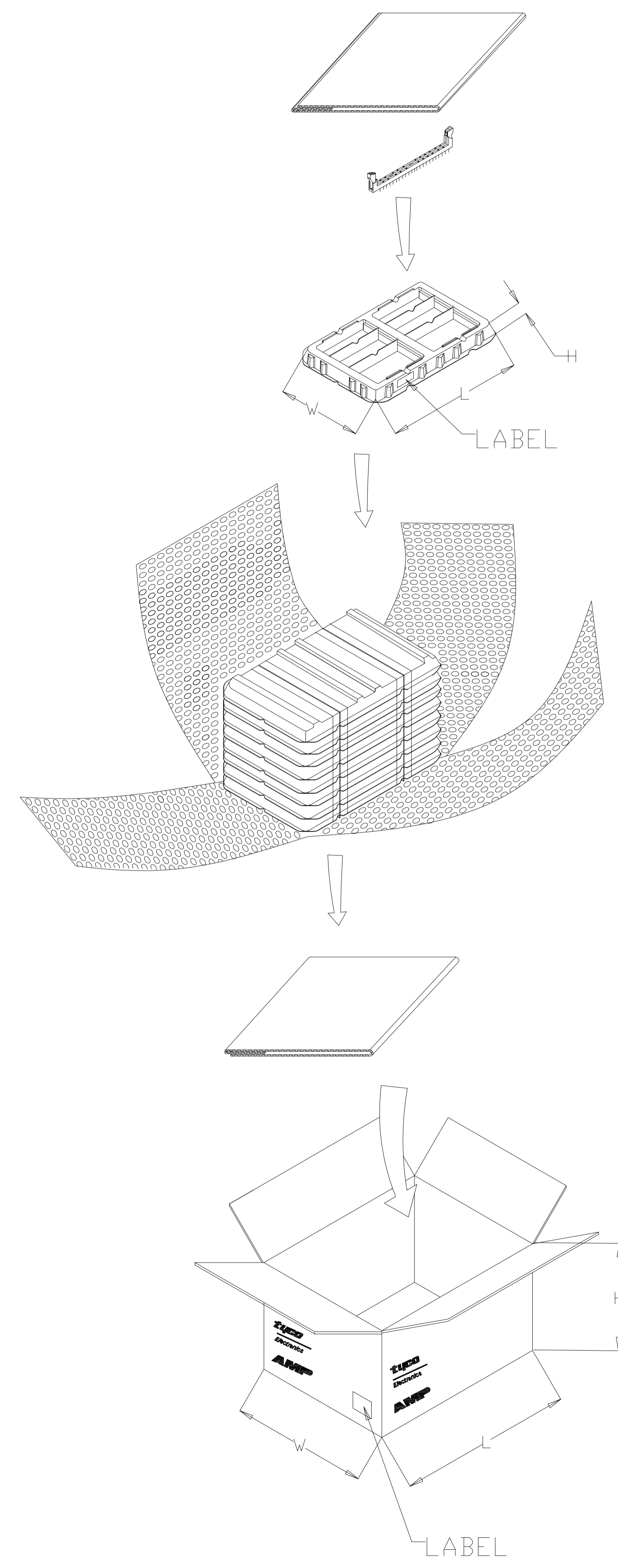


RECOMMENDED PCB LAYOUT
VIEWED FROM CONNECTOR SIDE



RECOMMENDED MODULE LAYOUT
SCALE 3:1
REFER TO JEDEC MO-269 FOR COMPLETE MODULE DETAILS

THIS DRAWING IS A CONTROLLED DOCUMENT.		DIN	LEO ZHOU	28FEB2007	 TE Connectivity
		CHK	STEVEN	28FEB2007	
		APPV	STEVEN YAO	28FEB2007	NAME
		PRODUCT SPEC			SOCKET ASSEMBLY, VERTICAL DDR3 DIMM, SOLDER TAIL, 240 POSITION
		APPLICATION SPEC			SIZE
		WEIGHT			CAGE CODE
		CUSTOMER DRAWING			DRAWING NO
					RESTRICTED TO



BOTTOM TRAY

TRAY

CARTON

NOTES:

1. MATERIAL:
 - 1.1 TRAY: PVC
 - 1.2 SHIPPING CARTON : CORRUGATED FIBERBOARD
2. DIMENSION :
 - 2.1 TRAY : L=363, W=255, H=33
 - 2.2 SHIPPING CARTON : L=375, W=265, H=280
3. QUANTITY :
 - 3.1 PRIMARY PACKING : 50 PCS/TRAY
 - 3.2 SECONDARY PACKING : 8 TRAY/CARTON(400PCS)
4. WEIGHT :
 - 4.1 NET WEIGHT : 3.76 KG
 - 4.2 GROSS WEIGHT: 6.00 KG

THIS DRAWING IS A CONTROLLED DOCUMENT.		DIN	LEO ZHOU	28FEB2007	TE Connectivity
		CHK	STEVEN	28FEB2007	
		APVD	STEVEN YAO	28FEB2007	NAME
		TOLERANCES UNLESS OTHERWISE SPECIFIED:			PRODUCT SPEC
DIMENSIONS:		0. PLC ± -			APPLICATION SPEC
mm		1. PLC ± 0.50			RESTRICTED TO
		2. PLC ± 0.13			SIZE
		3. PLC ± 0.013			CAGE CODE
		4. PLC ± 0.0001			DRAWING NO
		ANGLES ± -			1932000
MATERIAL		FINISH			WEIGHT
-		-			100779
		CUSTOMER DRAWING			SCALE
		--			SHEET
		4			OF
		4			REV
		H7			

X-ON Electronics

Largest Supplier of Electrical and Electronic Components

Click to view similar products for [DIMM Connectors](#) category:

Click to view products by [TE Connectivity](#) manufacturer:

Other Similar products are found below :

[1-1932649-2](#) [1-1761024-0](#) [2309411-5](#) [10116658-252ASLF](#) [5390471-1](#) [2309413-3](#) [78507-0061](#) [KIT-SODIMM-1X16GB/01](#) [10129206-0010013LF](#) [10086891-052TSLF](#) [10079192-11102LF](#) [10116658-152FSLF](#) [10129206-0011113LF](#) [1-2308107-0](#) [2013310-1](#) [2013289-1](#) [390111-1](#) [390112-1](#) [2309413-1](#) [2309407-1](#) [2309414-1](#) [10081530-12208LF](#) [151080-0001](#) [78726-1004](#) [10005639-11107LF](#) [10005639-11109LF](#) [10005639-12207LF](#) [10023061-10207LF](#) [10033853-252FSLF](#) [10033853-052ASLF](#) [10033853-052FSLF](#) [10033853-152FSLF](#) [10033854-052FSLF](#) [10034542-10002LF](#) [10037402-12207LF](#) [10081530-11107LF](#) [10081530-12207LF](#) [10081530-12218LF](#) [10081530-12228LF](#) [10124632-0030001LF](#) [10124806-01006LF](#) [10145226-0241N13LF](#) [59354-052FSLF](#) [59355-052FSLF](#) [DDR4288S0211TF](#) [DDR4288S0511H](#) [DDR4288S0511TF](#) [DDR4288V0123TF](#) [DDR4288V0213TF](#) [DDR502112001K](#)