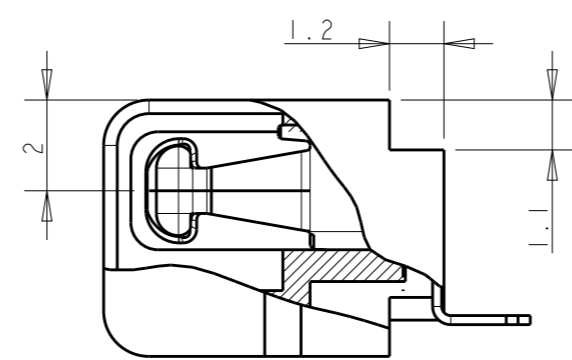
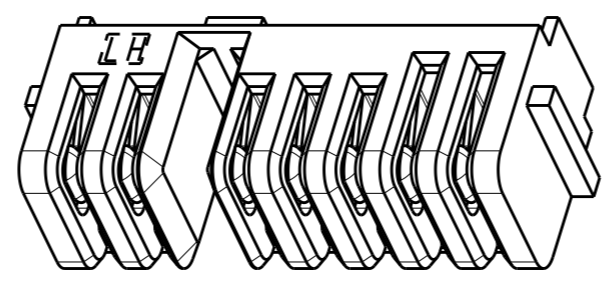
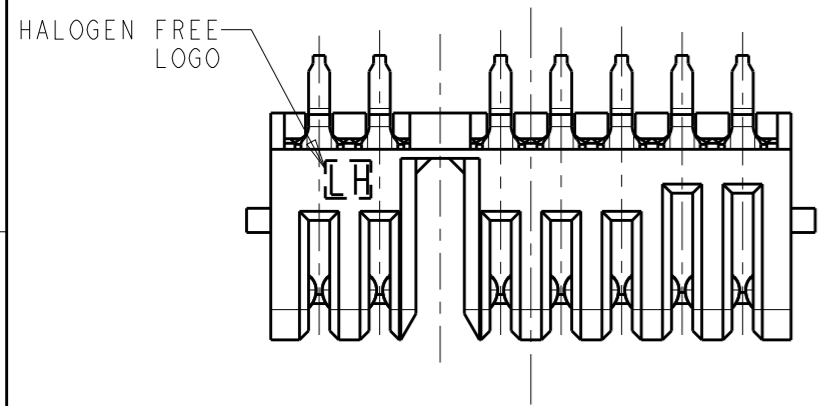
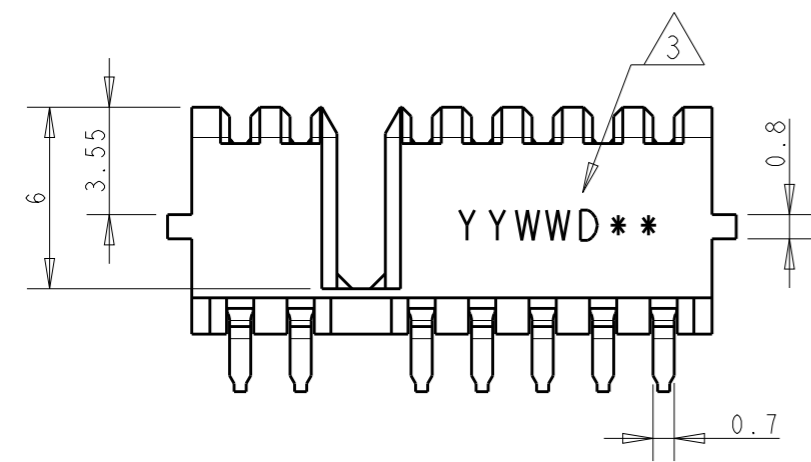
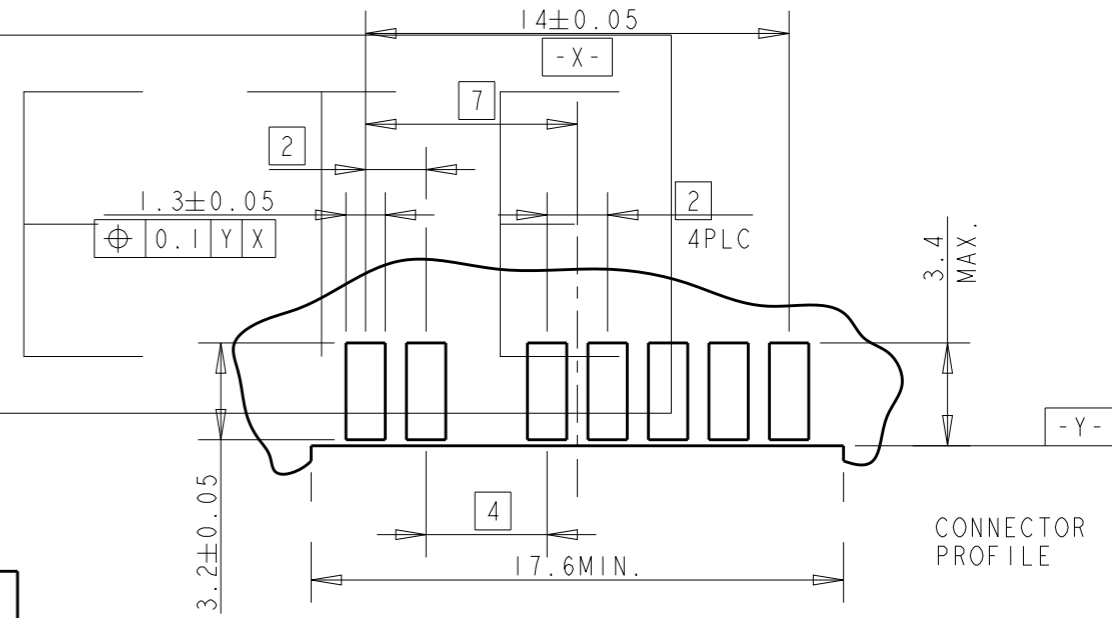
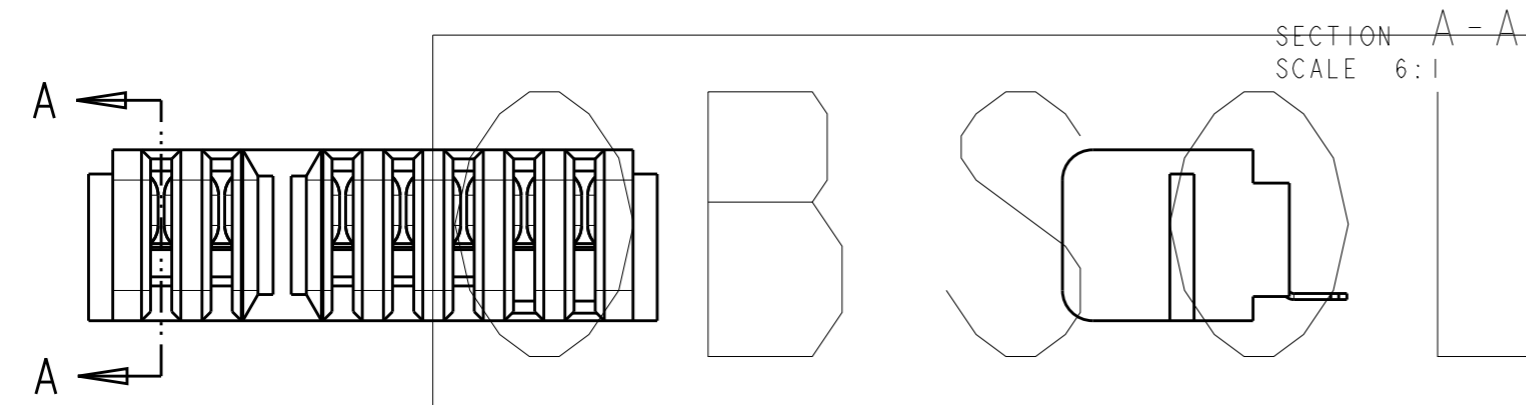


LOC	DIST	REVISIONS			
P	LTR	DESCRIPTION	DATE	DWN	APVD
ES	-	B	RELEASED PER ECR-07-023182	15OCT2007	A.S S.Y
		B2	ADDED NEW DASH NUMBER	12NOV2008	TY SY
		B3	ADDED HALOGEN FREE LOGO	20NOV2008	TY SY
		B4	REVISE (ECO-19-002267)	21FEB2019	K.G W.H



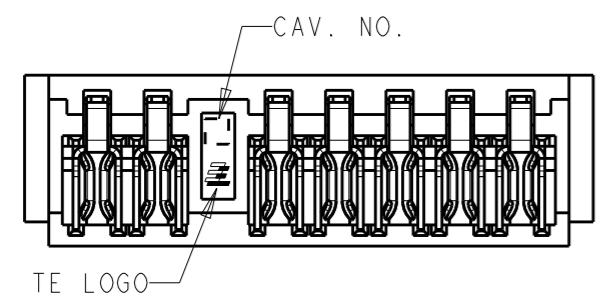
- 1 MATERIAL
HOUSING: THERMOPLASTIC RESIN, UL94V-0, BLACK
CONTACT: COPPER ALLOY
- 2 FINISH
CONTACT: NICKEL ALL OVER UNDERPLATING
GOLD PLATING AT CONTACT AREA
TIN PLATING AT SOLDER AREA
- 3 DATE CODE: 7 DIGIT NUMBER.



THIS PRINT IS
PRELIMINARY
 UNQUALIFIED PRODUCT
 CONTACT PRODUCT ENGINEERING
 BEFORE USING THIS PRINT

REFERENCE PCB LAYOUT
 PCB THICKNESS 0.8~1.2
 (VIEW FROM CONNECTOR MOUNTING SIDE)

THERMOPLASTIC RESIN (HALOGEN FREE)	I-1932008-1
THERMOPLASTIC RESIN	1932008-1
HOUSING MATERIAL	P/N



<small>THIS DRAWING IS A CONTROLLED DOCUMENT FOR TYCO ELECTRONICS CORPORATION IT IS SUBJECT TO CHANGE AND THE CONTROLLING ENGINEERING ORGANIZATION SHOULD BE CONTACTED FOR THE LATEST REVISION.</small>	
DIMENSIONS: mm	TOLERANCES UNLESS OTHERWISE SPECIFIED:
	0 PLC ±0.3
	1 PLC ±0.3
	2 PLC ±0.3
	3 PLC ±0.3
	4 PLC ±0.3
	ANGLES ±0.3
MATERIAL	FINISH
1	2

DWN ALEX SHOAL 29APR2007	Tyco Electronics Corporation Shanghai P.R.CHINA 200233
CHK WENKE HE 29APR2007	
APVD STEVEN YAO 29APR2007	
PRODUCT SPEC 108-78292	
APPLICATION SPEC -	NAME RECEPTACLE ASSEMBLY 2.0mm PITCH 7POS. BATTERY CONNECTOR
WEIGHT 0.87g	SIZE A3
CUSTOMER DRAWING	CAGE CODE 00779
	DRAWING NO. 1932008
	RESTRICTED TO
	SCALE 7:1
	SHEET 1 OF 2
	REV B4

4

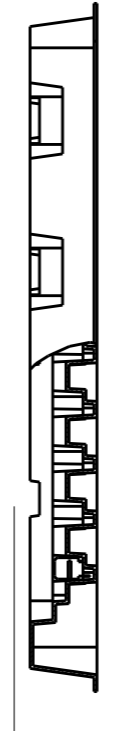
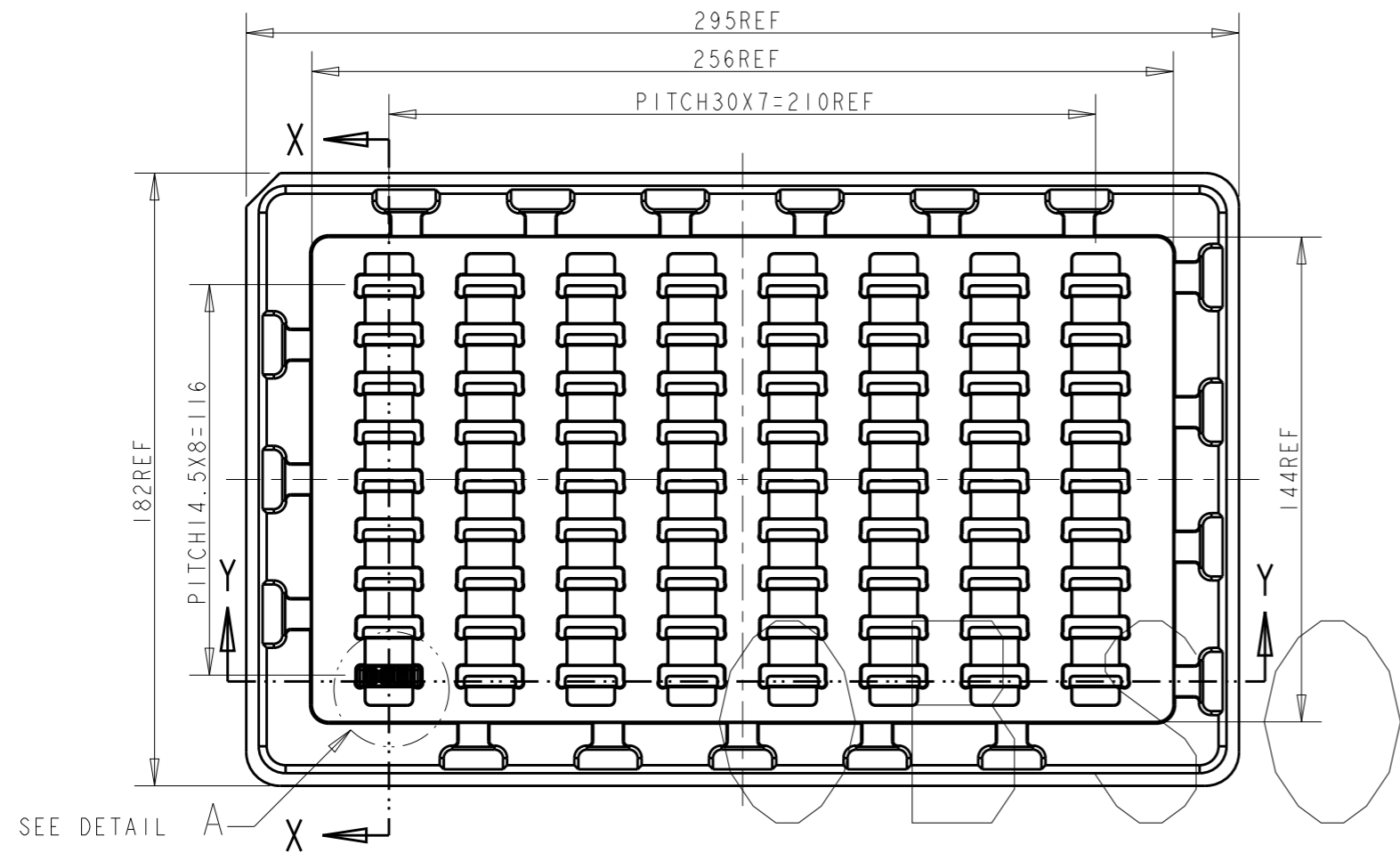
3

2

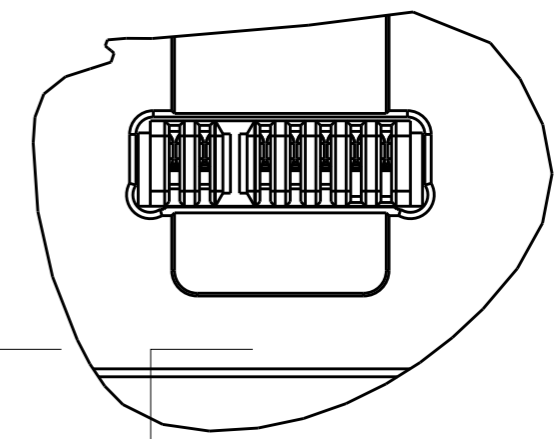
1

THIS DRAWING IS UNPUBLISHED. RELEASED FOR PUBLICATION 20
 © COPYRIGHT 20 BY TYCO ELECTRONICS CORPORATION. ALL RIGHTS RESERVED.

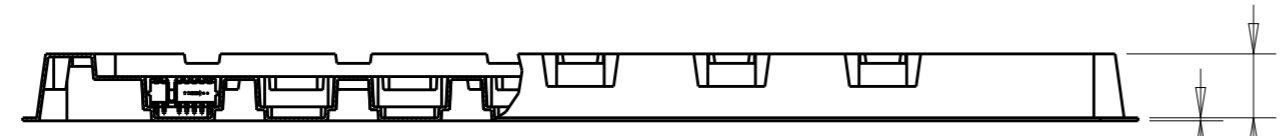
LOC	DIST	REVISIONS			
P	LTR	DESCRIPTION	DATE	DWN	APVD
ES	-	SEE SHEET 1	-	-	-



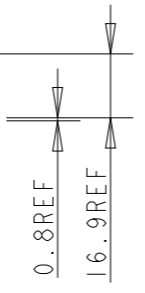
SECTION X - X



DETAIL A
SCALE 2:1



SECTION Y - Y



AS SHOWN: 1932008-1/1-1932008-1
72PCS/TRAY

THIS PRINT IS
PRELIMINARY
 UNQUALIFIED PRODUCT
 CONTACT PRODUCT ENGINEERING
 BEFORE USING THIS PRINT

<small>THIS DRAWING IS A CONTROLLED DOCUMENT FOR TYCO ELECTRONICS CORPORATION IT IS SUBJECT TO CHANGE AND THE CONTROLLING ENGINEERING ORGANIZATION SHOULD BE CONTACTED FOR THE LATEST REVISION.</small>	
DIMENSIONS: mm	TOLERANCES UNLESS OTHERWISE SPECIFIED: 0 PLC ±- 1 PLC ±0.3 2 PLC ±0.3 3 PLC ±0.3 4 PLC ±- ANGLES ±-
MATERIAL -	FINISH -

DWN ALEX SHOAL 29APR2007	Tyco Electronics Corporation Shanghai P.R.CHINA 200233
CHK WENKE HE 29APR2007	
APVD STEVEN YAO 29APR2007	
PRODUCT SPEC 108-78292	NAME RECEPTACLE ASSEMBLY 2.0mm PITCH 7POS. BATTERY CONNECTOR
APPLICATION SPEC -	SIZE A3
WEIGHT 0.87g	CAGE CODE 00779
CUSTOMER DRAWING	DRAWING NO. G-1932008
SCALE 7:1	
SHEET 2 OF 2	
REV B4	

X-ON Electronics

Largest Supplier of Electrical and Electronic Components

Click to view similar products for [TE Connectivity](#) manufacturer:

Other Similar products are found below :

[D38999/24FJ4AN](#) [570416-000](#) [CLTEQ-M81CE-SSRELAY-4-20V](#) [4-1195131-0](#) [650069-000](#) [SMD100-2](#) [358838-000](#) [CB-1022B-78](#)
[RM707012](#) [RP410012](#) [MMS42](#) [1-640426-8](#) [2EDL4CM](#) [DTS20W19-11PD-3028-LC](#) [RM202615](#) [NC6-P104-06](#) [MSPS103B](#) [DTS26F21-](#)
[41HE-LC](#) [DTS26F21-41AE](#) [DTS26F21-41PE-LC](#) [DTS26F21-11SE-3028-LC](#) [30DCB6](#) [1932144-1](#) [293545-4](#) [LVR125S](#) [MS27466T25F4PB](#)
[CKB-38-78010](#) [TR04AI-TINELLOCKRING](#) [1206SFF150F/63-2](#) [D38999/20JB35HA](#) [TE1500A2R2J](#) [D38999/20WC8BB](#) [DTS24F19-11SC-](#)
[3028-LC](#) [D38999/24WG11HA](#) [D38999/24WG11HN](#) [MS27467T21F11H](#) [DJT16E21-11HA](#) [MS27467T21F35J](#) [MS27467T21F11J](#)
[MS27467T21F16H-LC](#) [MS27467T21F35H](#) [MS27467T21F41H-LC](#) [1206SFH150F/24-2](#) [RP330024](#) [DJT16E21-11PA-LC](#) [DJT16E21-11HA-](#)
[LC](#) [DJT16E21-11AA](#) [MS27467T21B11JA](#) [DJT16E21-11JA](#) [MS27467T21B11JA-LC](#)