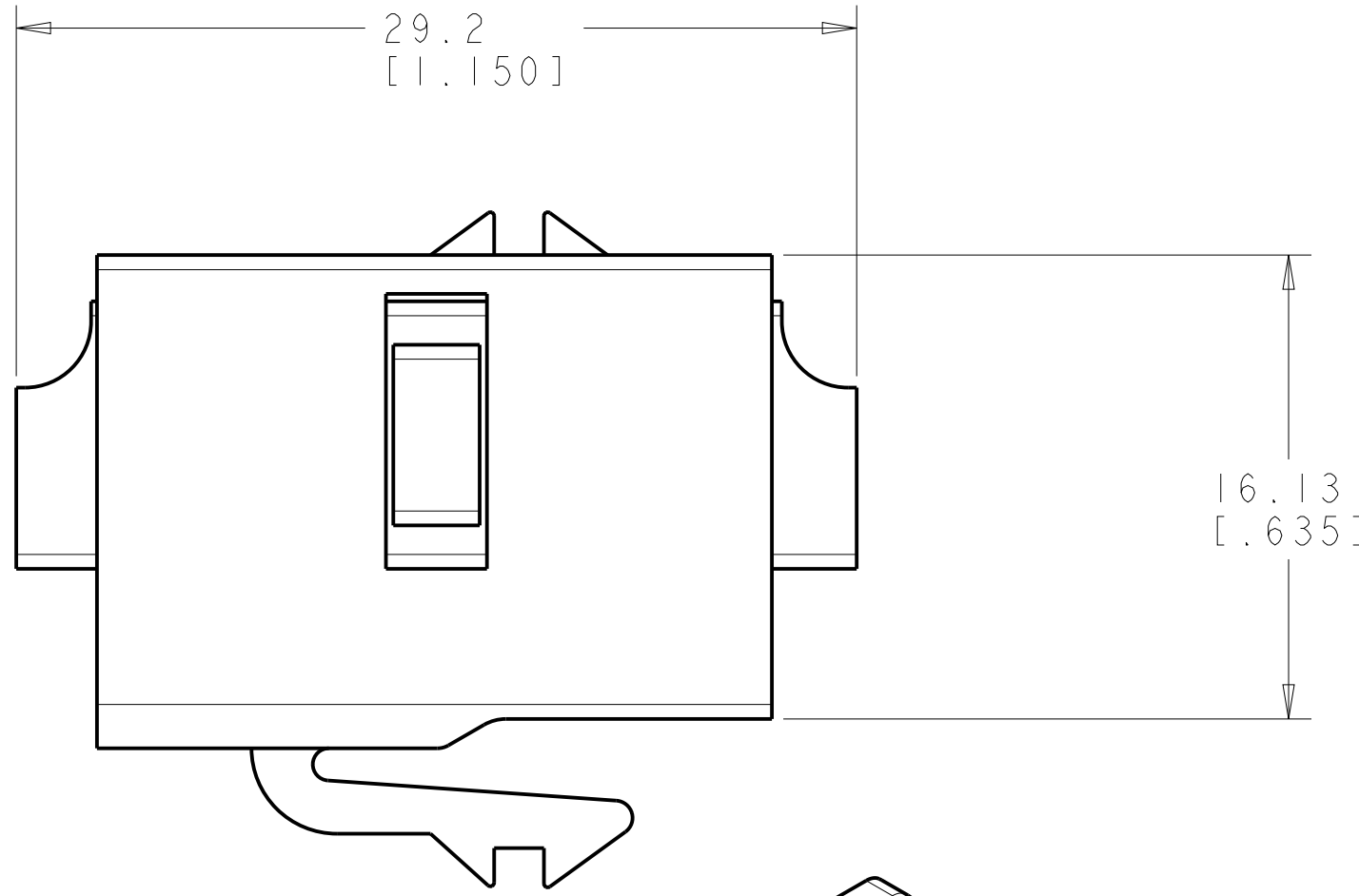
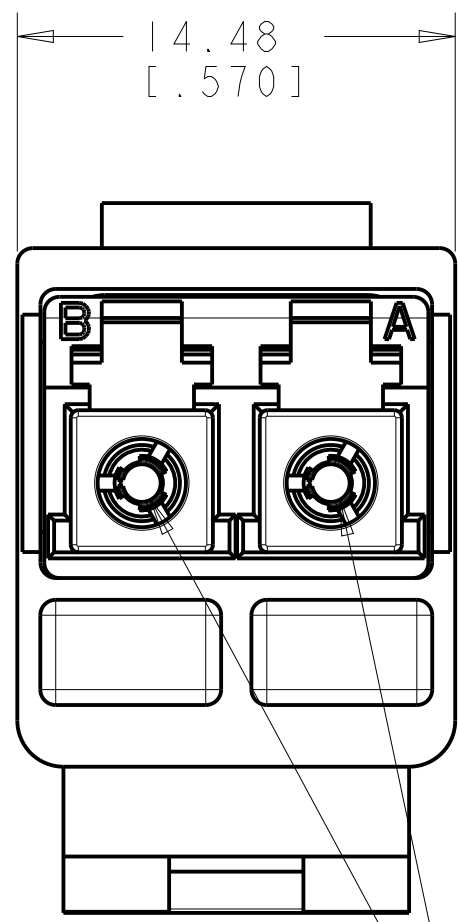


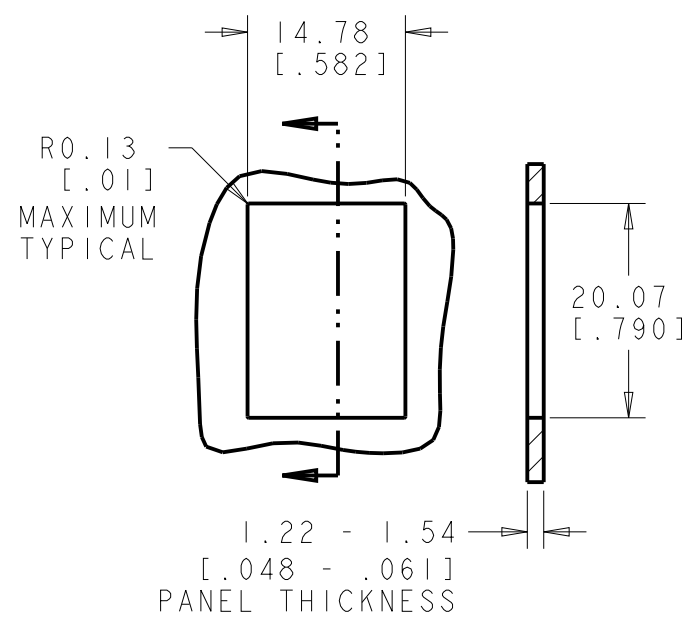
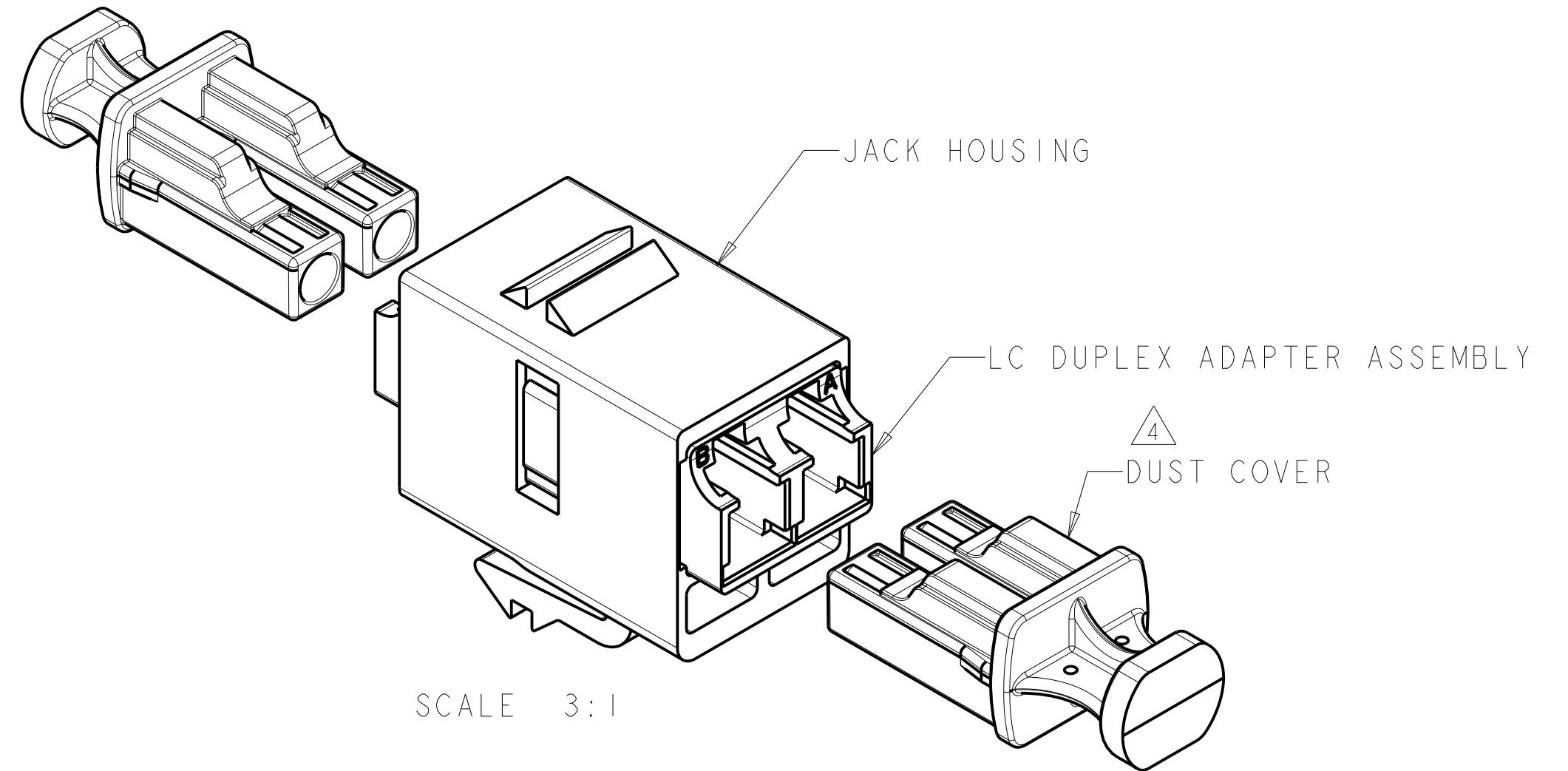
THIS DRAWING IS UNPUBLISHED. RELEASED FOR PUBLICATION
 © 2016 COMMSCOPE, INC. CONFIDENTIAL NOTICE: THESE DRAWINGS AND SPECIFICATIONS ARE THE PROPRIETARY PROPERTY OF COMMSCOPE, INC. AND MAY BE USED ONLY FOR THE SPECIFIC PURPOSE AUTHORIZED IN WRITING BY COMMSCOPE, INC.

REVISIONS				
P	LTR	DESCRIPTION	DATE	APVD
C		REV; ECO-10-020682	12OCT2010	GG RA
D		REV; ECO-15-006853	05MAY2015	GG TE
E		REV PER BNS_CD_BRAND	07FEB2017	GG DC

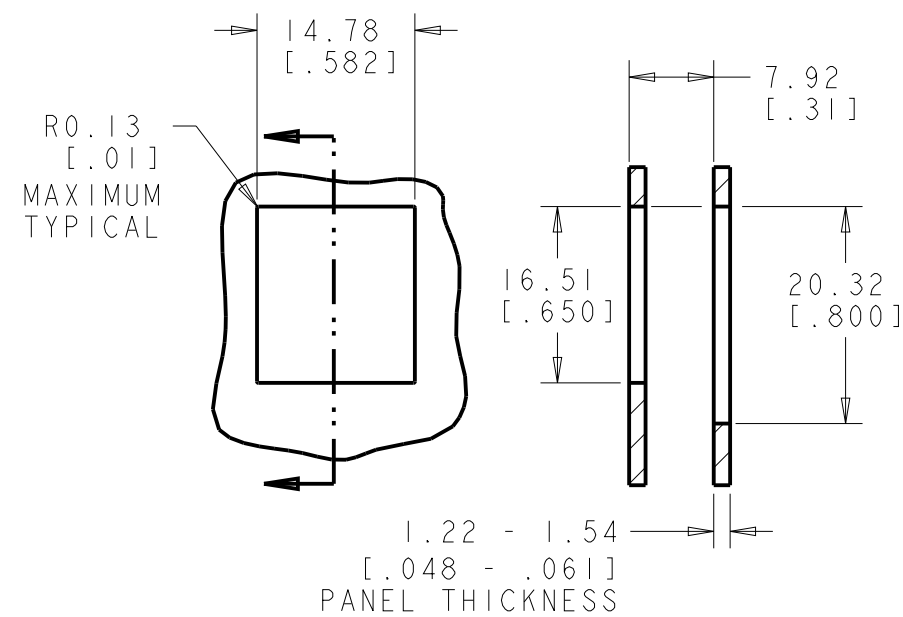


- 1 MATERIAL: JACK HOUSING - POLYPHENYLENE OXIDE, 94V-0 RATED.
LC DUPLEX ADAPTER ASSEMBLY - ULTEM 1010R.
- 2 THESE TWO SUGGESTED CUTOUT OPENINGS ARE USED IN TANDEM WITH DUAL FRONT AND BACK CUTOUTS.
- 3 PACKAGED ONE ASSEMBLY PER POLYBAG.
- 4 DUST COVERS SHOWN NOT ASSEMBLED BUT SHIPPED ASSEMBLED TO DUPLEX LC ADAPTER.

ALIGNMENT SLEEVE, CERAMIC
QUANTITY 2



SINGLE PANEL CUTOUT



SUGGESTED FLUSH MOUNT
PANEL APPLICATION CUTOUT

3	BEIGE	1-1933286-2
	BLACK	1-1933286-1
	AQUA	1933286-6
	BLUE	1933286-4
	GREEN	1933286-3
PACKAGE	COLOR	PART NUMBER

THIS DRAWING IS A CONTROLLED DOCUMENT.		DWN G. GARRETT 17APR2007	COMMSCOPE, INC.	
DIMENSIONS: MM [INCHES]		CHK G. BOWMAN 17APR2007		
TOLERANCES UNLESS OTHERWISE SPECIFIED:		APVD G. BOWMAN 17APR2007		
0 PLC ± 1 PLC ± 2 PLC ± 3 PLC ± 4 PLC ± ANGLES ± FINISH -		PRODUCT SPEC -		
MATERIAL	1	Customer Drawing	NAME DUPLX, LC ADAPTER, SM-MM, SL HOUSING	RESTRICTED TO -
		WEIGHT -	SIZE A2	CAGE CODE -
		SCALE 4:1	DRAWING NO. G-1933286	SHEET OF
		Customer Drawing	REV E	

X-ON Electronics

Largest Supplier of Electrical and Electronic Components

Click to view similar products for [Modular Connectors / Ethernet Connectors](#) category:

Click to view products by [TE Connectivity](#) manufacturer:

Other Similar products are found below :

[8949-H88/06BLKA/SN](#) [74441-0010/BKN](#) [MP1010RX-1000](#) [MP44RX-1000](#) [PHJ-4P4C-1-V-4](#) [PHP-6P6C-5](#) [GAX-3-66](#) [GAX-8-62](#) [GDCX-PA-66-50](#) [GDCX-PN-64](#) [GDCX-PN-66](#) [GDCX-PN-66-50](#) [GDLX-A-66](#) [GDLX-N-66](#) [GDLX-S-66](#) [GDLX-S-88K](#) [GDLX-SMT-S-88](#) [GDTX-S-88-50](#) [GDX-PA-1010](#) [GLX-N-1010M-BLK](#) [GLX-S-88M-BLK](#) [GMX-N-1010](#) [GMX-S-1010](#) [GMX-S-66](#) [GMX-SMT4-N-88](#) [GPX-2-64](#) [GSGX-N-2-88](#) [GSGX-N-4-88](#) [GSX-NS2-88-3.05](#) [GSX-NS2-88-3.05-50](#) [GSX-NS-88-3.05-50](#) [PT-108A-8C-UL](#) [PT-J951-8C](#) [PTS-J531-8CS-50UL](#) [1-1775629-2](#) [A-2014-0-4](#) [GWLX-S-88-GR](#) [GWLX-S9-88-YG](#) [DC-1021-8-WH-6](#) [1300530003](#) [1324640-4](#) [RJ11FTVC2G](#) [RJ11FTVC2N](#) [RJFTVX2SA1G](#) [132764-001](#) [1413235](#) [MP88X-1000](#) [MPS88RX-5000](#) [E5288-S000K3-L](#) [E5908-15A242-L](#)