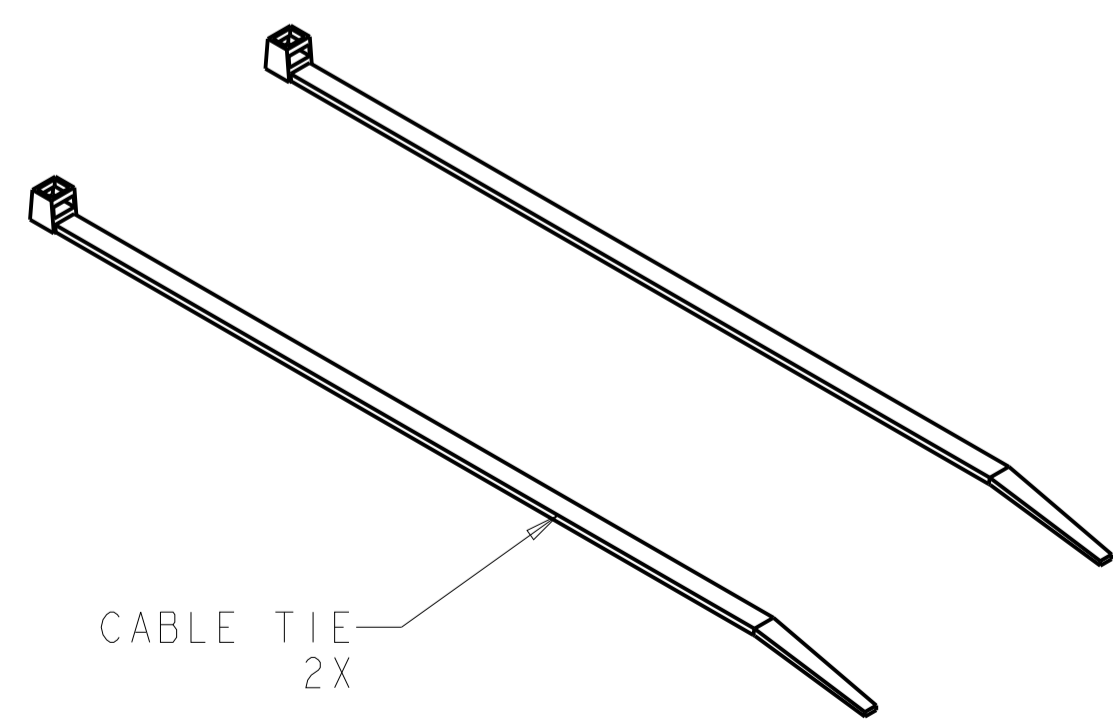
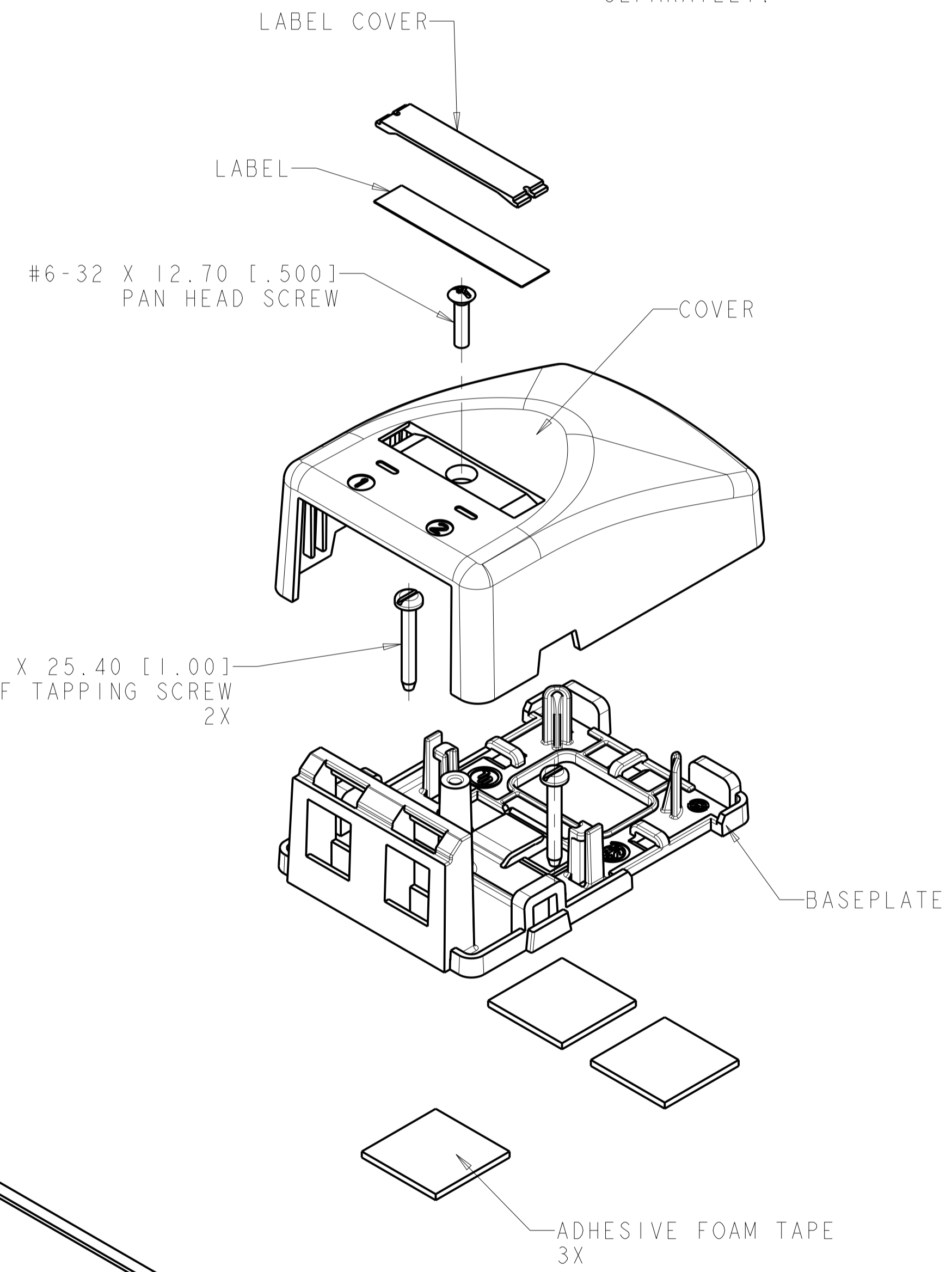
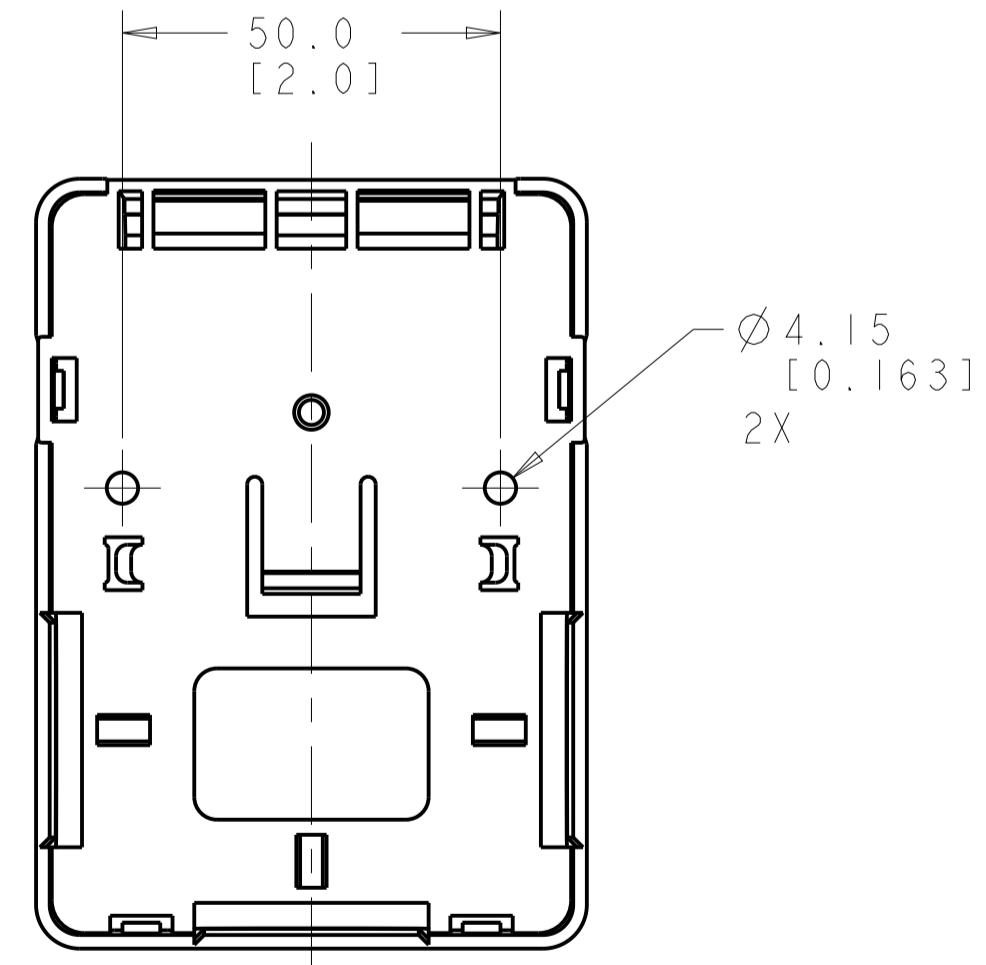
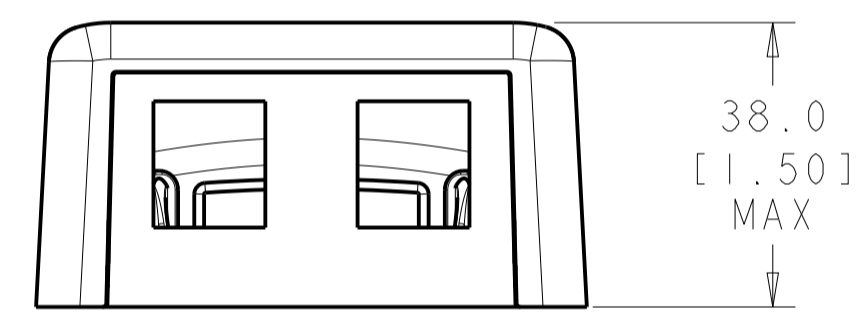
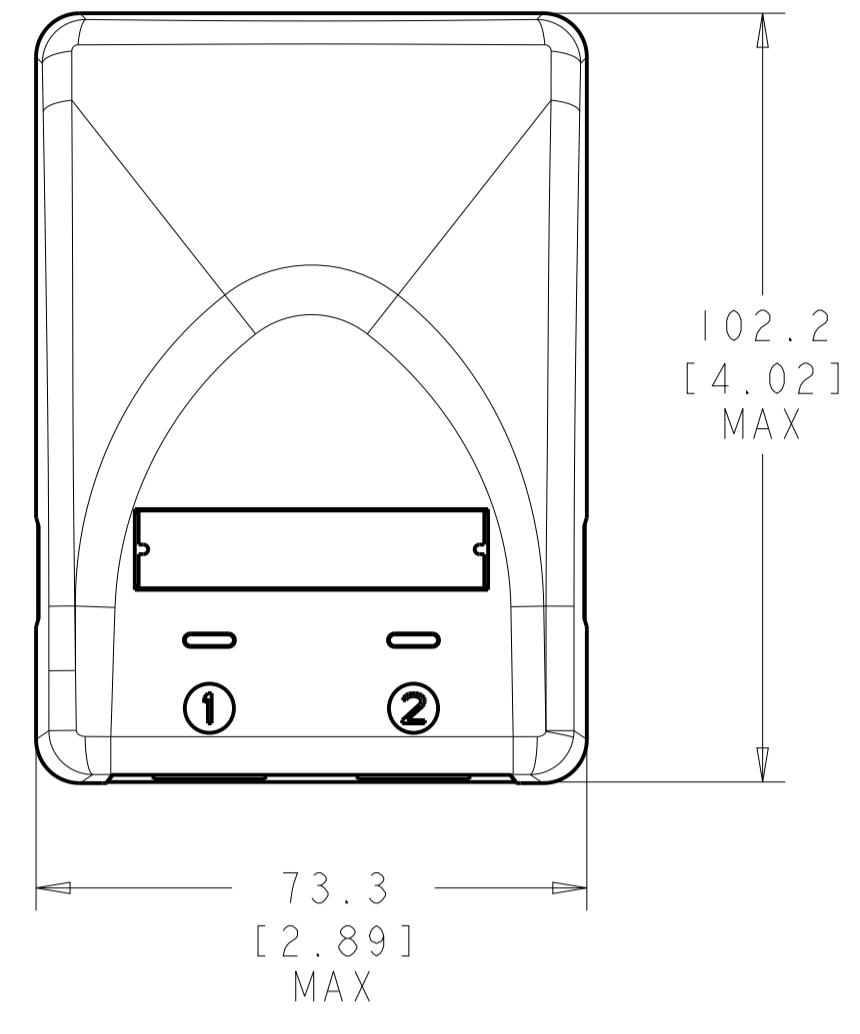


REVISIONS				
REV	LTN	DESCRIPTION	DATE	APP'D
A		RLSD; ECO-09-006765	16 MAR2009	GG RA
B		REV; ECO-10-012110	10 JUN2010	GG RA
C		REV; MCO-40026185MCO	09 NOV2015	HG LS
D		REV PER BNS_CD_BRAND	02 FEB2017	GG DC

- ⚠ MATERIAL: BASE AND COVER - POLYCARBONATE MOLDING COMPOUND. SEE TABLE FOR COLOR.
 LABEL COVERS - POLYCARBONATE MOLDING COMPOUND.
 LABELS - WHITE INDEX PAPER.
 SCREWS - ZINC PLATED CARBON STEEL.
 FOAM TAPE - POLYETHYLENE
 CABLE TIE - NYLON 6/6
- THIS KIT SHIPPED NOT ASSEMBLED.
 - ACCEPTS ANY COMBINATION OF SL-SERIES, AND AMP-TWIST MODULAR JACKS, MT-RJ OUTLET JACKS AND SL SERIES MULTI MEDIA INSERTS.
 - BASE ACCEPTS MAGNET FOR OPTIONAL MOUNTING TO METAL SURFACE. MAGNET (1933677-1) PURCHASED SEPARATELY.



ALPINE WHITE	I-1933668-3
ELECTRIC IVORY	I-1933668-1
NEMA GRAY	1933668-4
BLACK	1933668-2
LIGHT ALMOND	1933668-1
COLOR	PART NUMBER

THIS DRAWING IS A CONTROLLED DOCUMENT.		OWN J MCNEAL 08JUL2008	COMMSCOPE, INC.	
DIMENSIONS: mm [INCHES]		CHK S TOBEY 08JUL2008	KIT, 2 PORT SURFACE MOUNT MODULE	
TOLERANCES UNLESS OTHERWISE SPECIFIED:		APP'D S TOBEY 08JUL2008	NAME	
0 PLC ±	1 PLC ±.25	PRODUCT SPEC	SIZE CAGE CODE DRAWING NO RESTRICTED TO	
2 PLC ±	3 PLC ±	APPLICATION SPEC	A1 C=1933668	
4 PLC ±	ANGLES ±0.2°	WEIGHT	SCALE 1:2 SHEET 1 OF 1 REV D	
MATERIAL	FINISH	Customer Drawing		

X-ON Electronics

Largest Supplier of Electrical and Electronic Components

Click to view similar products for [Modular Connectors / Ethernet Connectors](#) category:

Click to view products by [TE Connectivity](#) manufacturer:

Other Similar products are found below :

[8949-H88/06BLKA/SN](#) [74441-0010/BKN](#) [MP1010RX-1000](#) [MP44RX-1000](#) [PHJ-4P4C-1-V-4](#) [PHP-6P6C-5](#) [GAX-3-66](#) [GAX-8-62](#) [GDCX-PA-66-50](#) [GDCX-PN-64](#) [GDCX-PN-66](#) [GDCX-PN-66-50](#) [GDLX-A-66](#) [GDLX-N-66](#) [GDLX-S-66](#) [GDLX-S-88K](#) [GDLX-SMT-S-88](#) [GDTX-S-88-50](#) [GDX-PA-1010](#) [GLX-N-1010M-BLK](#) [GLX-S-88M-BLK](#) [GMX-N-1010](#) [GMX-S-1010](#) [GMX-S-66](#) [GMX-SMT4-N-88](#) [GPX-2-64](#) [GSGX-N-2-88](#) [GSGX-N-4-88](#) [GSX-NS2-88-3.05](#) [GSX-NS2-88-3.05-50](#) [GSX-NS-88-3.05-50](#) [PT-108A-8C-UL](#) [PT-J951-8C](#) [PTS-J531-8CS-50UL](#) [1-1775629-2](#) [A-2014-0-4](#) [GWLX-S-88-GR](#) [GWLX-S9-88-YG](#) [DC-1021-8-WH-6](#) [1300530003](#) [1324640-4](#) [RJ11FTVC2G](#) [RJ11FTVC2N](#) [RJFTVX2SA1G](#) [132764-001](#) [1413235](#) [MP88X-1000](#) [MPS88RX-5000](#) [E5288-S000K3-L](#) [E5908-15A242-L](#)