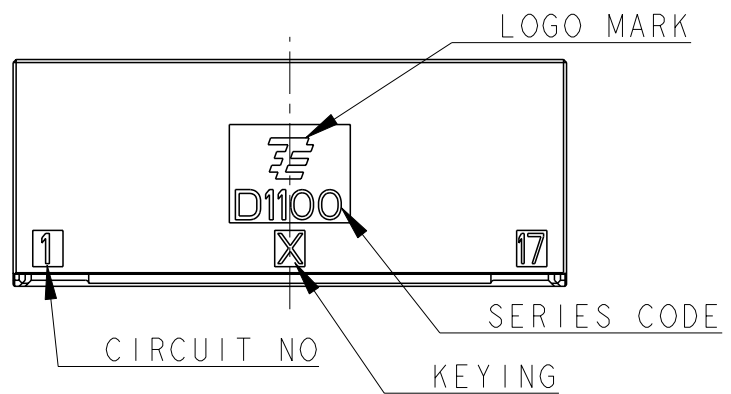
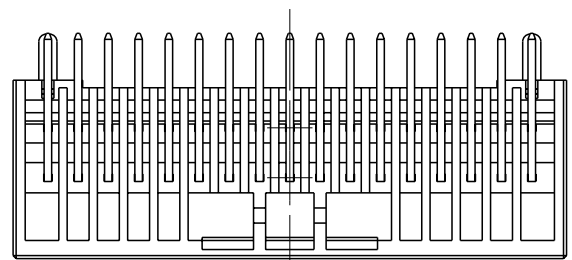
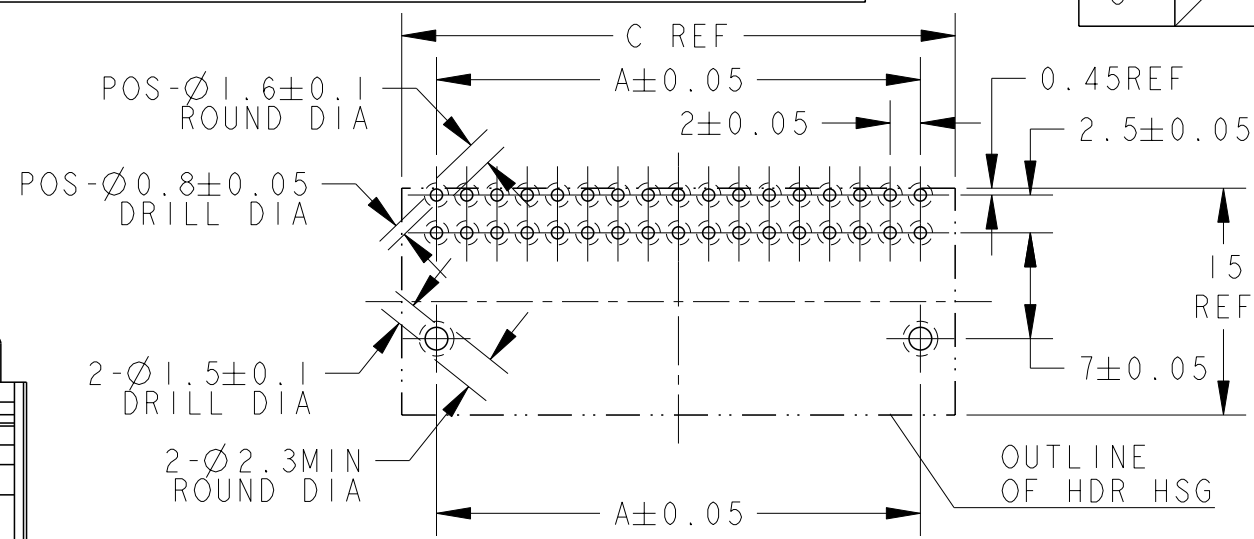


THIS DRAWING IS UNPUBLISHED. RELEASED FOR PUBLICATION 2007
 © COPYRIGHT 2007 BY - ALL RIGHTS RESERVED.

LOC J DIST

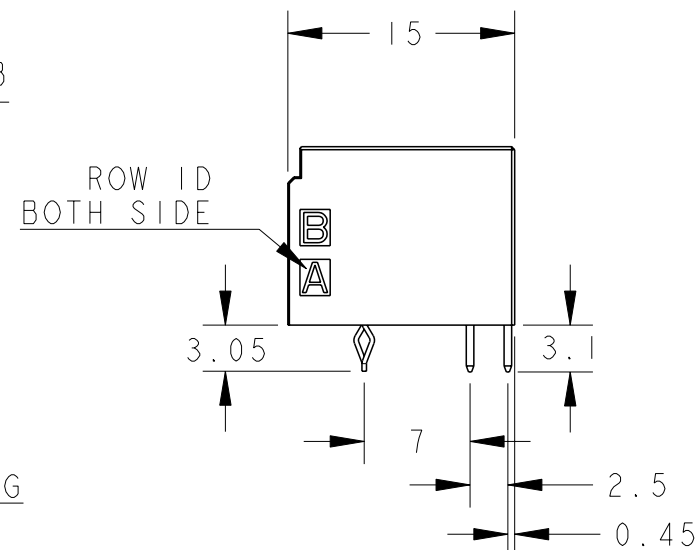
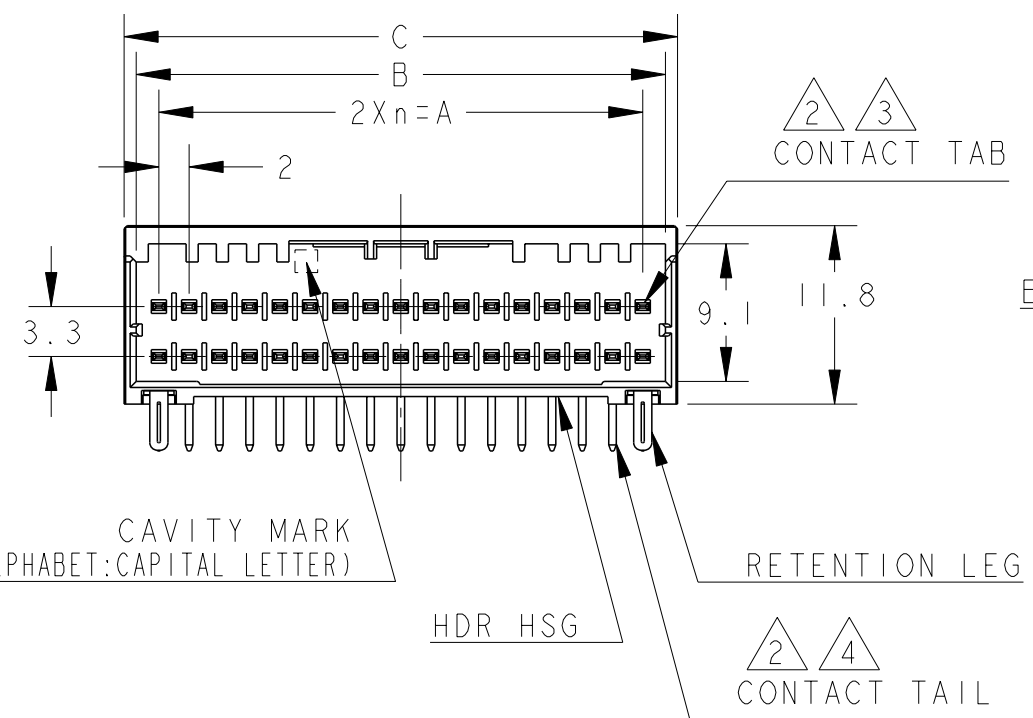
REVISIONS					
P	LTR	DESCRIPTION	DATE	DWN	APVD
C1		REVISED PER ECR-12-020340	05DEC2012	E.C	H.M
C2		REVISED PER ECR-17-005500	4MAY2017	N.W.	X.X
C3		REVISED PER ECR-17-009217	24JUL2017	K.T	E.T



推奨基板取付寸法 : コネクタ搭載面(非累積公差)
 PC基板厚 : 1.0~1.6±0.1
 RECOMMEND PC BOARD HOLE PATTERN : CONNECTOR MOUNT SIDE
 (NOT ACCUMULATE TOLERANCE)
 PC BOARD THICKNESS : 1.0~1.6±0.1

- ①. 材料:ハウジング:ガラス入り熱可塑性ポリエステル樹脂(94V-0)、色:黒
 コンタクト:銅合金
 リテンションレグ:錫めっき済銅合金
- ②. めっき(全面):ニッケル下地めっき1.27μm以上
- ③. めっき(接触部):②の上に金めっき0.38μm以上、またはsn1.0μm MINめっき後
- ④. めっき(コンタクト半田付部):②の上に錫めっき2μm以上
- 5. 文字の形状、大きさ、および位置については、大略を示すものであり、詳細を示すものではありません。

- ①. MATERIAL:HOUSING:GLASS FILED THERMO PLASTIC POLYESTER(94V-0), COLOR:BLACK
 CONTACT:COPPER ALLOY
 RETENTION LEG:PRE-TIN COPPER ALLOY
- ②. FINISH(ALL OVER):NICKEL PLATING 1.27μmMIN
- ③. FINISH(CONTACT AREA):GOLD PLATING 0.38μmMIN OR Sn PLATING 1.0μmMIN AFTER ②
- ④. FINISH(CONTACT TAIL):TIN PLATING 2μmMIN AFTER ②
- 5. THE SHAPE, SIZE AND POSITION OF THE CHARACTER SHOW THE OUTLINE. THEY DON'T SHOW DETAILS.



POS	KEY	n	A	B	C	FINISHED	PART NO
40	X	19	38.0	41.0	42.6	Sn PLATED	3-1939638-0
40	X	19	38.0	41.0	42.6	GOLD PLATED	1-1939638-0
34	X	16	32.0	35.0	36.6	Sn PLATED	3-1939638-7
34	X	16	32.0	35.0	36.6	GOLD PLATED	1-1939638-7
30	X	14	28.0	31.0	32.6	Sn PLATED	3-1939638-5
30	X	14	28.0	31.0	32.6	GOLD PLATED	1-1939638-5
28	X	13	26.0	29.0	30.6	Sn PLATED	3-1939638-4
28	X	13	26.0	29.0	30.6	GOLD PLATED	1-1939638-4
26	X	12	24.0	27.0	28.6	Sn PLATED	3-1939638-3
26	X	12	24.0	27.0	28.6	GOLD PLATED	1-1939638-3

34POS(X-KEY):1-1939638-7

THIS DRAWING IS A CONTROLLED DOCUMENT.

DWN M. MAEBASHI 30 JUL 2007
 CHK T. KUDO 30 JUL 2007
 APVD D. MITSUGI 30 JUL 2007

TE Connectivity

NAME DYNAMIC D1100D 2.0mmPITCH HDR ASSY, H-TYPE 22-40POS

PRODUCT SPEC 108-78268/78298
 APPLICATION SPEC 114-5377
 WEIGHT

SIZE A3 CAGE CODE 00779 DRAWING NO C-1939638 RESTRICTED TO

MATERIAL FINISH DIMENSIONS: mm TOLERANCES UNLESS OTHERWISE SPECIFIED: ±0.3, ±5°
 0-PLC ±
 1-PLC ±0.5
 2-PLC ±0.13
 3-PLC ±0.013
 4-PLC ±0.0001
 ANGLES ±

Customer Drawing SCALE 2:1 SHEET 1 OF 2 REV C3

THIS DRAWING IS UNPUBLISHED.

RELEASED FOR PUBLICATION

2007

© COPYRIGHT 2007 BY -

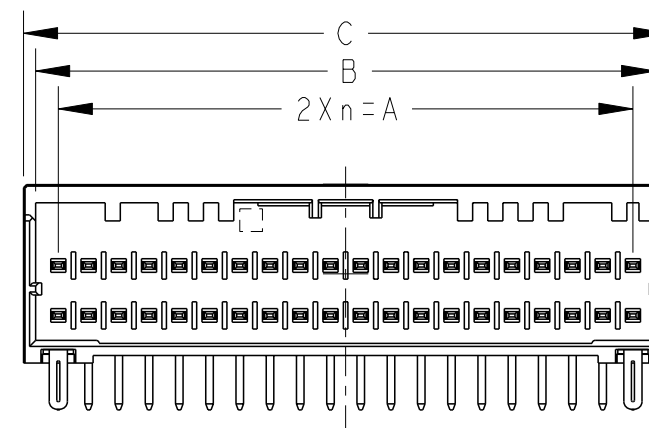
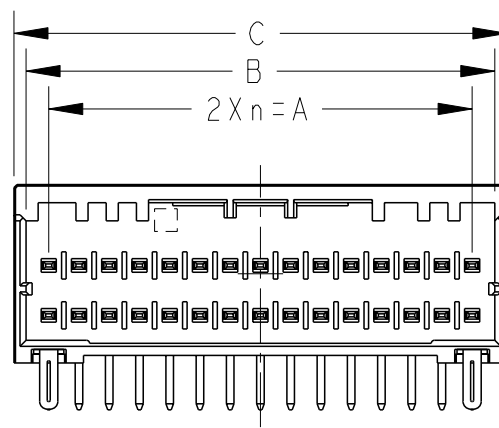
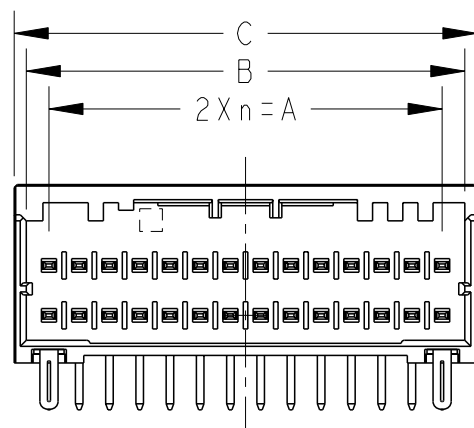
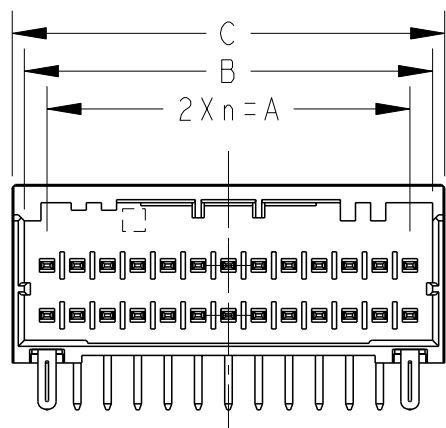
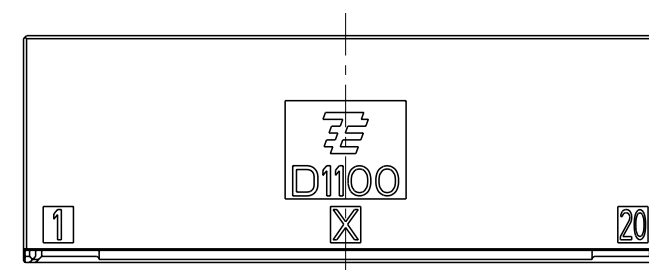
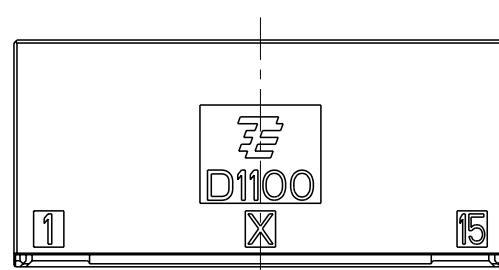
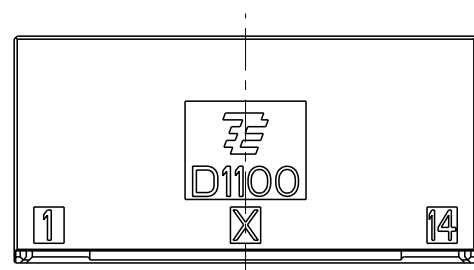
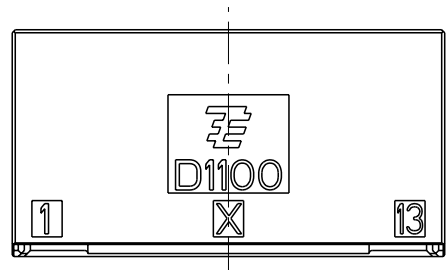
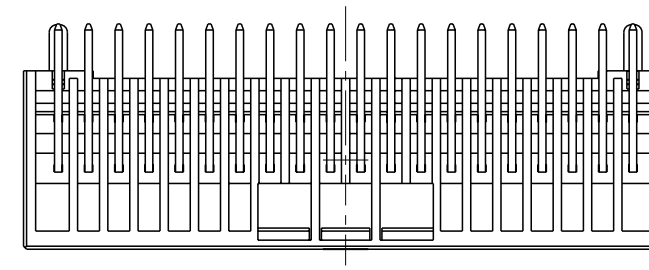
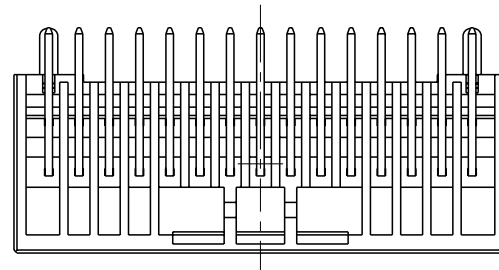
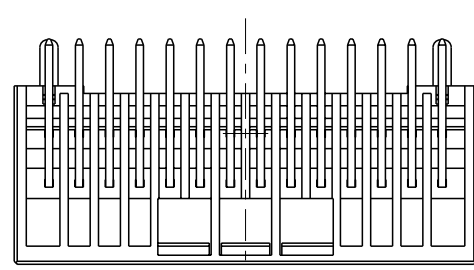
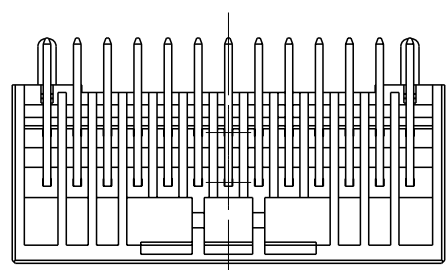
ALL RIGHTS RESERVED.

LOC
J

DIST

REVISIONS

P	LTR	DESCRIPTION	DATE	DWN	APVD
		SEE SHEET 1 OF 2			



26POS(X-KEY): 1-1939638-3

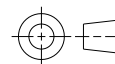
28POS(X-KEY): 1-1939638-4

30POS(X-KEY): 1-1939638-5

40POS(X-KEY): 1-1939638-0

THIS DRAWING IS A CONTROLLED DOCUMENT.

DIMENSIONS:
mm



TOLERANCES UNLESS OTHERWISE SPECIFIED:

0 PLC	±
1 PLC	±0.5
2 PLC	±0.13
3 PLC	±0.013
4 PLC	±0.0001
ANGLES	±

MATERIAL

FINISH

DWN 30JUL2007

M. MAEBASHI

CHK 30JUL2007

T. KUDO

APVD 30JUL2007

D. MITSUGI

PRODUCT SPEC

108-78268/78298

APPLICATION SPEC

114-5377

WEIGHT

Customer Drawing



TE Connectivity

NAME
DYNAMIC D1100D 2.0mmPITCH
HDR ASSY, H-TYPE
22-40POS

SIZE	CAGE CODE	DRAWING NO	RESTRICTED TO
------	-----------	------------	---------------

A300779	C-1939638		
---------	-----------	--	--

SCALE 2:1

SHEET 2 OF 2

REV C3

X-ON Electronics

Largest Supplier of Electrical and Electronic Components

Click to view similar products for [Headers & Wire Housings](#) category:

Click to view products by [TE Connectivity](#) manufacturer:

Other Similar products are found below :

[892-18-020-10-001101](#) [58102-G61-06LF](#) [582553-1](#) [0009485154](#) [009176003701906](#) [0050291907](#) [LY20-4P-DT1-P1E-BR](#) [02.125.8002.8](#)
[609-3404](#) [61062-3](#) [61082-181009](#) [622-3653LF](#) [63453-116](#) [636-1030](#) [636-1427](#) [636-3427](#) [636-4007](#) [641938-9](#) [641991-4](#) [644827-2](#) [65817-010LF](#) [65817-015LF](#) [65863-015LF](#) [66207-023LF](#) [67095-007LF](#) [67601157](#) [68645-018](#) [68648-049](#) [70.362.1628.0](#) [70-4210](#) [70-4226B](#) [70-4853B](#) [707-5020](#) [707-5028](#) [71.350.2428.0](#) [71918-208LF](#) [71961-016LF](#) [733-134](#) [733-162](#) [754199-000](#) [760-3052](#) [787-8014-00](#) [79531-3000](#)
[FCN-360C032-B](#) [FCN-367T-T012/H](#) [FCN-723D010/2](#) [80.063.4001.1](#) [800-90-001-10-001000](#) [800-90-010-10-002000](#) [801-43-002-10-013000](#)