

REVISIONS

P	LTR	DESCRIPTION	DATE	DWN	APVD
B		REVISED PER ECR-10-007266	22APR2010	HMR	T.M
C		REVISED PER ECR-14-001037	24JAN2014	K.T	N.Y
D		REVISED PER ECR-16-015895	20NOV2016	K.T	E.T

1. MATERIAL: HOUSING: LIQUID CRYSTAL POLYMER  
 COLOR: BLACK  
 CONTACT: COPPER ALLOY  
 SOLDER PEG: BRASS

2. FINISH (ALL OVER): NICKEL PLATING 1.27μm MIN

3. FINISH (CONTACT AREA)  
 : GOLD PLATING 0.76μm MIN AFTER 2

4. FINISH (SOLDER PEG & CONTACT TAIL)  
 : TIN PLATING 2μm MIN AFTER 2

5. COPLANARITY 0.15mm MAX.  
 (CONTACT TINE AND SOLDER PEG ONLY)

6. THE SHAPE, SIZE AND POSITION OF THE CHARACTER  
 SHOW THE OUTLINE. THEY DON'T SHOW DETAILS.

7. THE KEYING ARRANGEMENT OF "Y" IS  
 SYMMETRIC WITH "X".

1. 材料:ハウジング:液晶ポリマー、色:黒  
 コンタクト:銅合金  
 ソルダーペグ:黄銅

2. めっき(全面):ニッケル下地めっき1.27μm以上

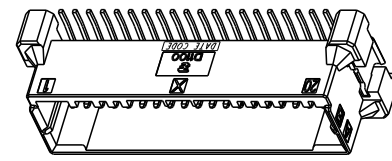
3. めっき(接触部):2の上に金めっき0.76μm以上

4. めっき(ソルダーペグとコンタクト半田付部)  
 :2の上に錫めっき2μm以上

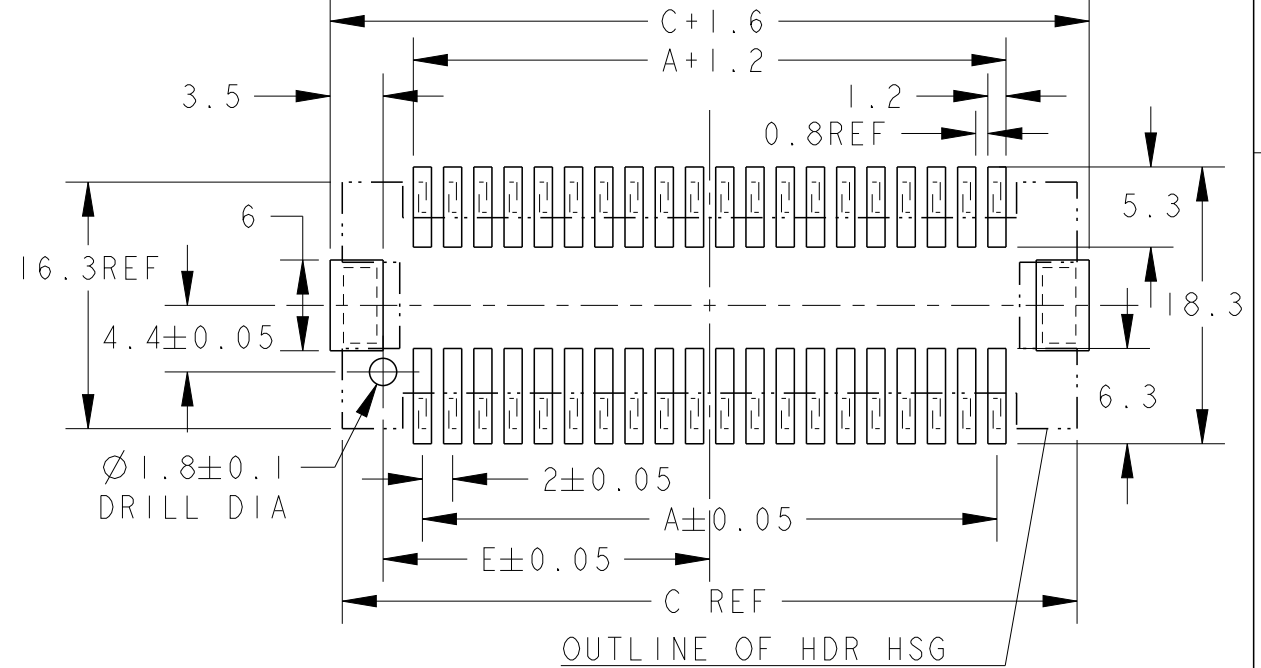
5. コンタクトタイン部及びソルダーペグの  
 平面度(コプラナリティ)は0.15mm MAX

6. 文字の形状、大きさ、および位置等は、大略を示すものであり  
 詳細を示すものではありません。

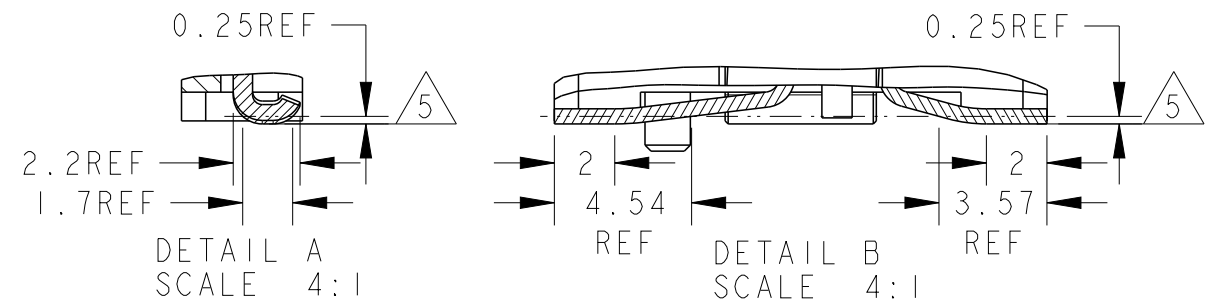
7. Y KEY形状は、X KEY形状と左右対称



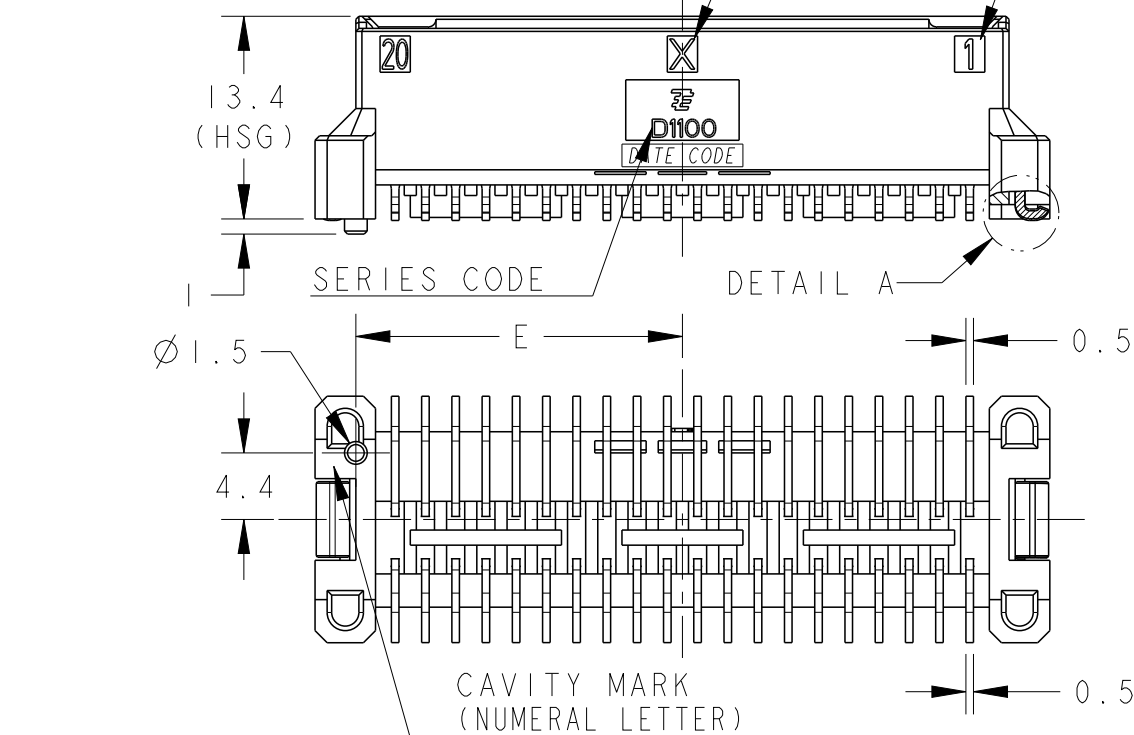
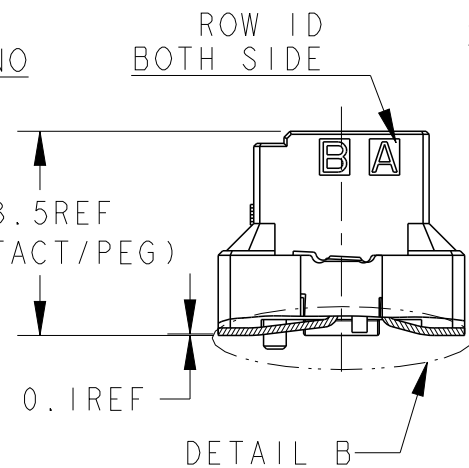
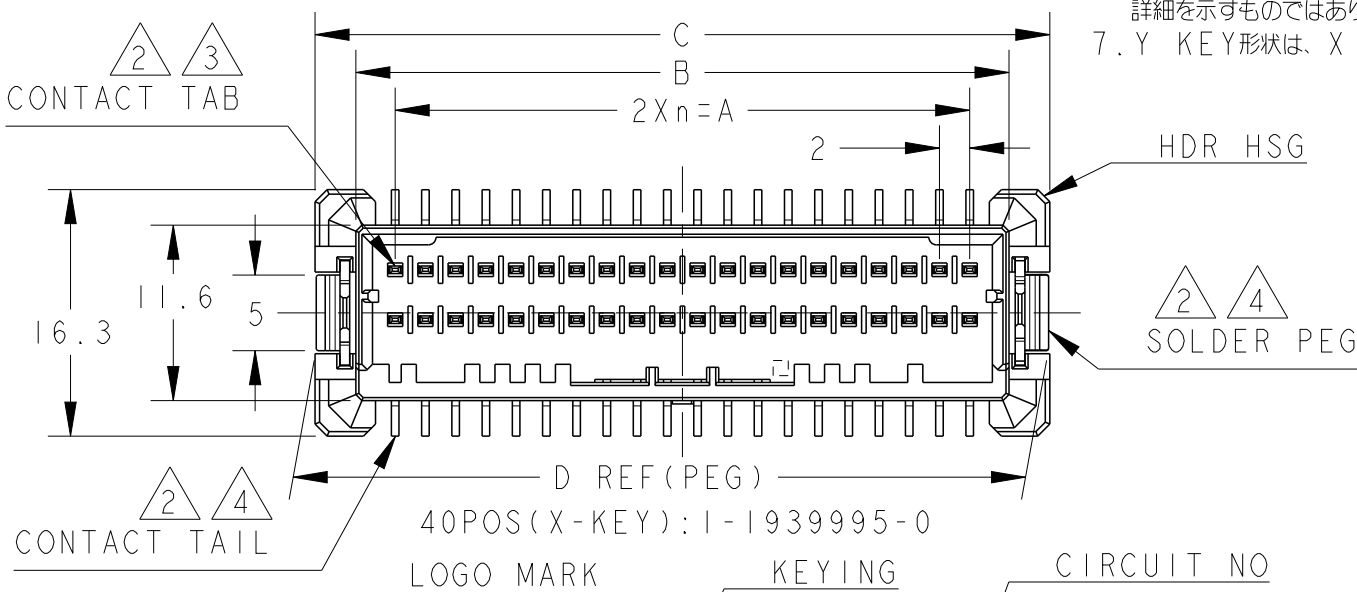
SCALE 1:1



REFERENCE PC BOARD PATTERN: CONNECTOR MOUNT SIDE  
 (NOT ACCUMULATE TOLERANCE)  
 参考基板取付寸法: コネクタ搭載面 (非累積公差)



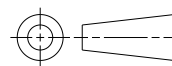
	0.76μm MIN	40	Y	19	38.0	43.2	48.6	48.44	21.6	2-1939995-0
	0.76μm MIN	40	X	19	38.0	43.2	48.6	48.44	21.6	1-1939995-0
	0.76μm MIN	26	Y	12	24.0	29.2	34.6	34.44	14.6	2-1939995-3
	0.76μm MIN	26	X	12	24.0	29.2	34.6	34.44	14.6	1-1939995-3
OBSOLETE	0.38μm MIN	22	X	10	20.0	25.2	30.6	30.44	12.6	1-1939995-4
	GOLD	POS	KEY	n	A	B	C	D	E	PART NO



THIS DRAWING IS A CONTROLLED DOCUMENT.

DIMENSIONS:  
 単位: 概 mm

TOLERANCES UNLESS OTHERWISE SPECIFIED:  
 一般公差 ±0.3, ±3°



0 PLC ±  
 1 PLC ±  
 2 PLC ±  
 3 PLC ±  
 4 PLC ±  
 ANGLES ±

MATERIAL



FINISH



DWN 06NOV2006

M. MAEBASHI

CHK 06NOV2006

T. KUDO

APVD 06NOV2006

D. MITSUGI

PRODUCT SPEC

108-78414

APPLICATION SPEC

114-5405

WEIGHT

Customer Drawing



NAME 名称 DYNAMIC D1100D 2.0mm PITCH  
 HDR ASSY, SMT/V-TYPE  
 22-40POS

SIZE A3 CAGE CODE 00779 DRAWING NO. 1939995

RESTRICTED TO

SCALE 2:1 SHEET 1 OF 2 REV D

4

3

2

1

THIS DRAWING IS UNPUBLISHED.

RELEASED FOR PUBLICATION

2006

© COPYRIGHT 2006 BY -

ALL RIGHTS RESERVED.

REVISIONS

変更

P	LTR	DESCRIPTION	DATE	DWN	APVD
-	-	SEE SHEET 1	-	-	-

Dimensions: C, B,  $2Xn=A$ , D REF (PEG)

26POS(X-KEY): 1-1939995-3

Labels: 13, 1, D1100

Dimension: E

THIS DRAWING IS A CONTROLLED DOCUMENT.

DIMENSIONS:  
単位: 耗  
mm

TOLERANCES UNLESS  
OTHERWISE SPECIFIED:

一般公差	±
0 PLC	±0.5
1 PLC	±0.13
2 PLC	±0.013
3 PLC	±0.001
4 PLC	±0.0001
ANGLES	±

MATERIAL  
材料  
TBDFINISH  
仕上

DWN 06NOV2006

M. MAEBASHI

CHK 06NOV2006

T. KUDO

APVD 06NOV2006

D. MITSUGI

PRODUCT SPEC

108-78414

APPLICATION SPEC

114-5405

WEIGHT

Customer Drawing

TE Connectivity

NAME  
名称DYNAMIC D1100D 2.0mmPITCH  
HDR ASSY, SMT/V-TYPE  
22-40POS

SIZE

A3

CAGE CODE

00779

DRAWING NO

C-1939995

RESTRICTED TO

-

SCALE  
尺度 2:1

SHEET 2 OF 2

REV D

1470-19 (3/13)

## X-ON Electronics

Largest Supplier of Electrical and Electronic Components

*Click to view similar products for [Headers & Wire Housings](#) category:*

*Click to view products by [TE Connectivity](#) manufacturer:*

Other Similar products are found below :

[892-18-020-10-001101](#) [58102-G61-06LF](#) [582553-1](#) [0009485154](#) [009176003701906](#) [0050291907](#) [LY20-4P-DT1-P1E-BR](#) [02.125.8002.8](#)  
[609-3404](#) [61062-3](#) [61082-181009](#) [622-3653LF](#) [63453-116](#) [636-1030](#) [636-1427](#) [636-3427](#) [636-4007](#) [641938-9](#) [641991-4](#) [644827-2](#) [65817-](#)  
[010LF](#) [65817-015LF](#) [65863-015LF](#) [66207-023LF](#) [67095-007LF](#) [67601157](#) [68645-018](#) [68648-049](#) [70.362.1628.0](#) [70-4210](#) [70-4226B](#) [70-](#)  
[4853B](#) [707-5020](#) [707-5028](#) [71.350.2428.0](#) [71918-208LF](#) [71961-016LF](#) [733-134](#) [733-162](#) [754199-000](#) [760-3052](#) [787-8014-00](#) [79531-3000](#)  
[FCN-360C032-B](#) [FCN-367T-T012/H](#) [FCN-723D010/2](#) [80.063.4001.1](#) [800-90-001-10-001000](#) [800-90-010-10-002000](#) [801-43-002-10-013000](#)