



Harnessing > Interconnect Devices > SolderSleeve Shield Terminators



SolderSleeve Shield Terminator Operating Temperature (Max): 150 °C

SolderSleeve Shield Terminator Expanded Inside Diameter (Min): 13.59 mm [.535 in]

SolderSleeve Shield Terminator Recovered Inside Diameter (Max): 8.89 mm [.35 in]

Pre-Installed Lead: No

Wire Temperature (Max): 125 °C

Features

Configuration Features

Pre-Installed Lead	No
--------------------	----

Dimensions

SolderSleeve Shield Terminator Expanded Inside Diameter (Min)	13.59 mm [.535 in]
SolderSleeve Shield Terminator Recovered Inside Diameter (Max)	8.89 mm [.35 in]

Usage Conditions

SolderSleeve Shield Terminator Operating Temperature (Max)	150 °C
Wire Temperature (Max)	125 °C

Product Compliance

[For compliance documentation, visit the product page on TE.com>](#)

EU RoHS Directive 2011/65/EU	Not Compliant
EU ELV Directive 2000/53/EC	Not Compliant
China RoHS 2 Directive MIIT Order No 32, 2016	Restricted Materials Above Threshold
EU REACH Regulation (EC) No. 1907/2006	Current ECHA Candidate List: JUN 2020 (209) Candidate List Declared Against: JUN 2020 (209) SVHC > Threshold: Pb (37% in Solder)

Article Safe Usage Statements:
Do not eat, drink or smoke when using this product. Wash thoroughly after handling. Recycle if possible and dispose of the article by following all applicable governmental regulations relevant to your geographic location.

Halogen Content BFR/CFR/PVC Free, but Br/Cl >900 ppm in other sources.

Solder Process Capability Not applicable for solder process capability

Product Compliance Disclaimer

This information is provided based on reasonable inquiry of our suppliers and represents our current actual knowledge based on the information they provided. This information is subject to change. The part numbers that TE has identified as EU RoHS compliant have a maximum concentration of 0.1% by weight in homogenous materials for lead, hexavalent chromium, mercury, PBB, PBDE, DBP, BBP, DEHP, DIBP, and 0.01% for cadmium, or qualify for an exemption to these limits as defined in the Annexes of Directive 2011/65/EU (RoHS2). Finished electrical and electronic equipment products will be CE marked as required by Directive 2011/65/EU. Components may not be CE marked. Additionally, the part numbers that TE has identified as EU ELV compliant have a maximum concentration of 0.1% by weight in homogenous materials for lead, hexavalent chromium, and mercury, and 0.01% for cadmium, or qualify for an exemption to these limits as defined in the Annexes of Directive 2000/53/EC (ELV). Regarding the REACH Regulation, the information TE provides on SVHC in articles for this part number is based on the latest European Chemicals Agency (ECHA) 'Guidance on requirements for substances in articles' posted at this URL: <https://echa.europa.eu/guidance-documents/guidance-on-reach>

Compatible Parts



TE Part # CJ2087-000
[HL2010E-KIT-120V](#)

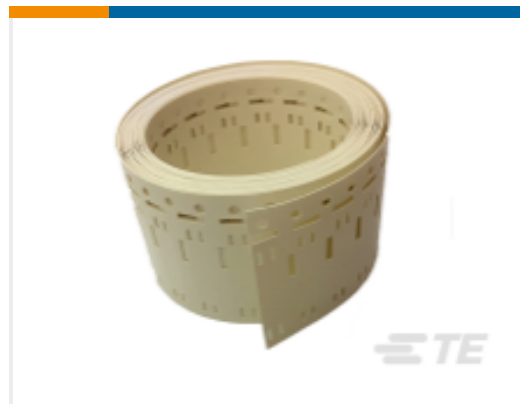
Customers Also Bought



TE Part #650149-000
[D-436-48](#)



TE Part #885529-000
[55A1836-24-MST3-9CS2275](#)



TE Part #E61464-000
[HTCM-SCE-TP HIGH TEMPERATURE MARKERS](#)



TE Part #DTS20F17-99SN
[D38999: Square Flange, 17-99 insert](#)



TE Part #ZPF00000000008872
[983-6SE 16-10 PN-L](#)



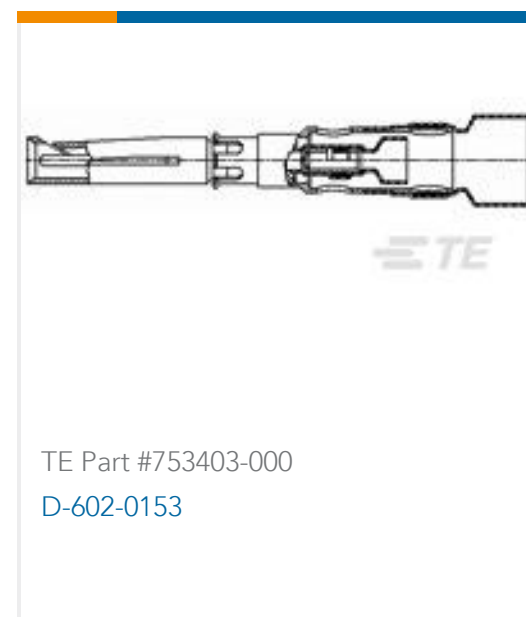
TE Part #650041-000
[D-436-0114](#)



TE Part #ZPF00000000008747
[983-6SE 10-05 S6 L](#)



TE Part #620235-000
[D-108-0033](#)



Documents

Product Drawings

[D-105-31](#)

English

Datasheets & Catalog Pages

[Raychem Electrical Interconnect Products](#)

English

Product Specifications

[Product Specification](#)

English

X-ON Electronics

Largest Supplier of Electrical and Electronic Components

Click to view similar products for [Solder & Shield Tubing](#) category:

Click to view products by [TE Connectivity](#) manufacturer:

Other Similar products are found below :

[CTC-0062-20-9/5-9](#) [CTC-0062-22-9/5-9](#) [680441-000](#) [D-150-0331CS2902](#) [D-181-1222-90/9CS2800](#) [D-300-01CS1108](#) [982127-1](#) [D-436-0127CS391](#) [D-436-0182CS246](#) [D-436-37CS2651](#) [D-436-58CS246](#) [D-436-61CS246](#) [D-436-82-CS2621](#) [D-750-0005CS2493](#) [E53797N001](#) [S200-2-01](#) [S200-4-00CS2904](#) [LSS-81-16AA-CS5575](#) [SO63-2-9036-22CS2677](#) [SO63-3-01CS293](#) [SO63-3-9036-20CS2677](#) [SO63-4-9036-20CS2677](#) [SO63-5-9036-22CS2677](#) [CC1525-000](#) [CTA-0025](#) [D-108-01CS227](#) [D-108-07CS436](#) [D-128-0010](#) [D-141-0108CS404](#) [D-142-51-202-7754](#) [D-144-41CS1371](#) [D-150-0231-NRCS2896](#) [B-801-18-01](#) [515-9](#) [C67137-000](#) [D-436-36CS2908](#) [D-436-37CS2908](#) [D-436-52CS246](#) [D-436-83CS2705](#) [D-438-0102](#) [LSS-26-8A](#) [427243-000](#) [D-106-2012](#) [D-300-08CS1108](#) [UWCS-2U/7.6-1C/5.8](#) [620026-000](#) [B-004-00](#) [140945-000](#) [NAS1744-3](#) [D-607-10](#)