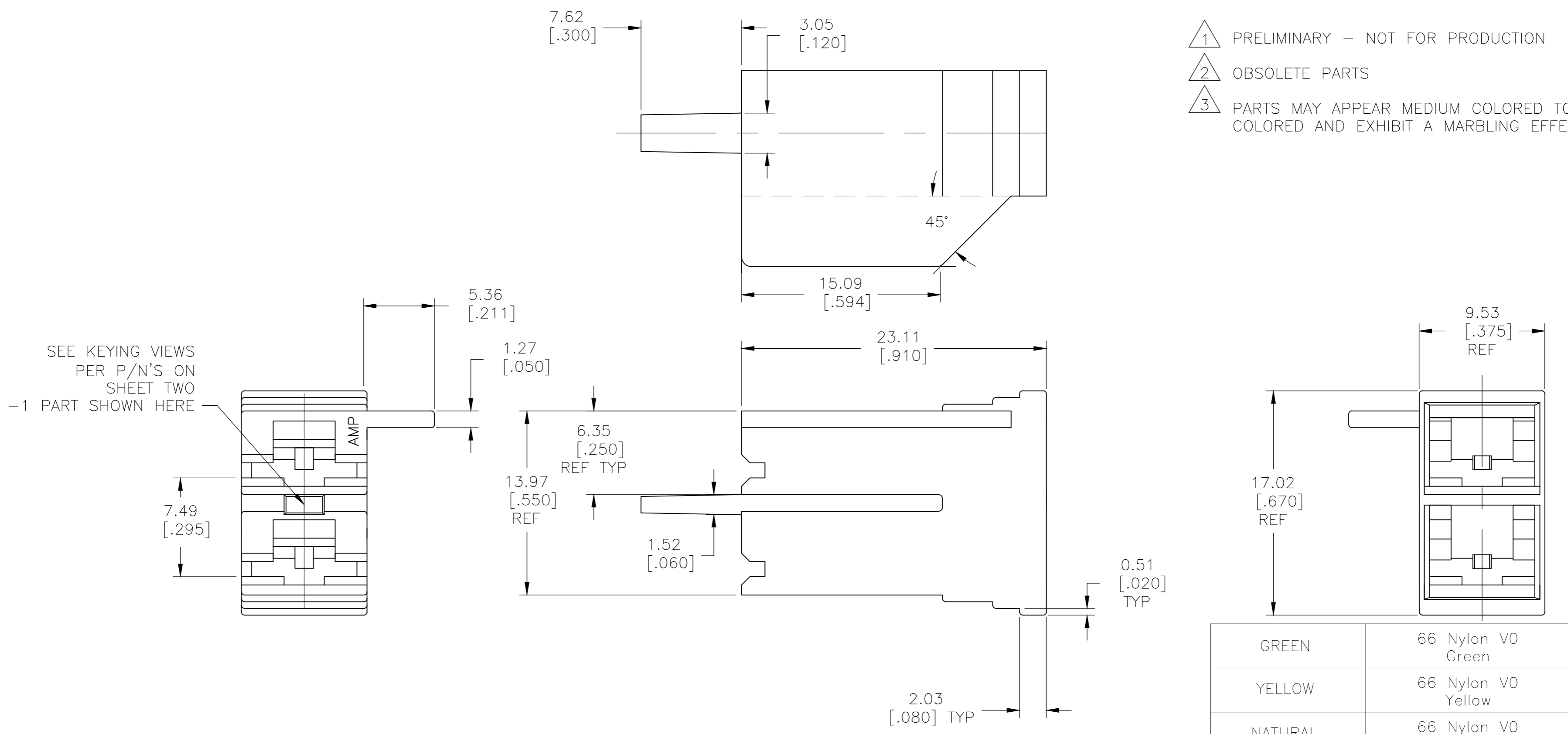


THIS DRAWING IS UNPUBLISHED. RELEASED FOR PUBLICATION
 © COPYRIGHT - TE Connectivity Ltd. ALL RIGHTS RESERVED.

REVISIONS					
P	LTR	DESCRIPTION	DATE	DWN	APVD
A8		REVISED PER ECR-18-007505	06NOV2018	BDA	DS



SEE KEYING VIEWS
 PER P/N'S ON
 SHEET TWO
 -1 PART SHOWN HERE

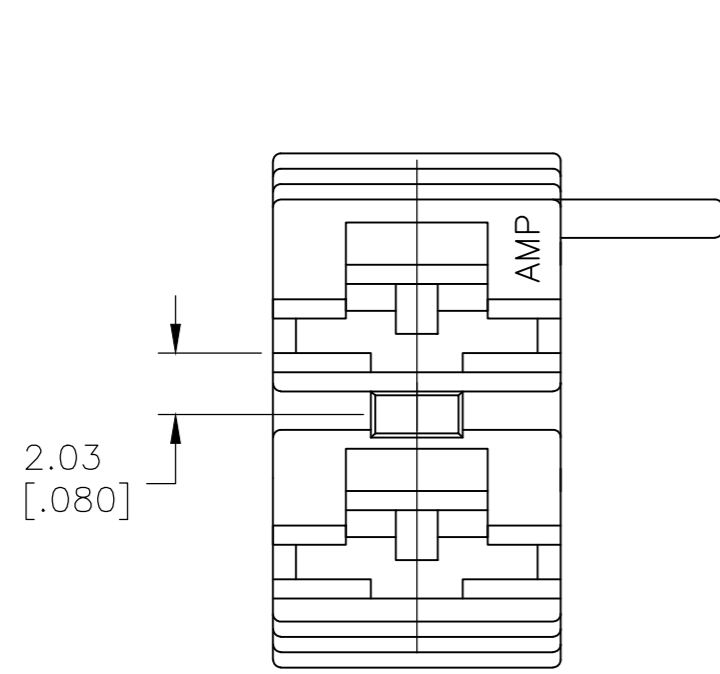
- 1 PRELIMINARY - NOT FOR PRODUCTION
- 2 OBSOLETE PARTS
- 3 PARTS MAY APPEAR MEDIUM COLORED TO LIGHT COLORED AND EXHIBIT A MARBLING EFFECT.

GREEN	66 Nylon V0 Green	3 1-1969232-4	
YELLOW	66 Nylon V0 Yellow	3 1-1969232-3	
NATURAL	66 Nylon V0 Natural	1-1969232-1	
RED	66 NYLON, V0	1 1969232-5	
SUPERSEDED BY 1-1969232-4	GREEN	66 NYLON, V0	-1969232-4
SUPERSEDED BY 1-1969232-3	YELLOW	66 NYLON, V0	-1969232-3
	BLACK	66 NYLON, V0	2 -1969232-2
SUPERSEDED BY 1-1969232-1	NATURAL	66 NYLON, V0	-1969232-1
	COLOR	MATERIAL	PART NO

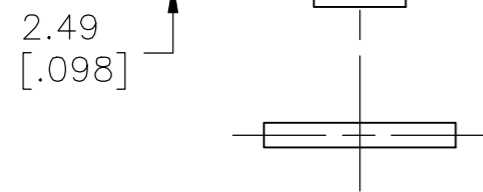
THIS DRAWING IS A CONTROLLED DOCUMENT.		DWN jr ruth 16DEC08	TE TE Connectivity Ltd.	
DIMENSIONS: mm [INCHES]		CHK P DESANTIS 16DEC08		
TOLERANCES UNLESS OTHERWISE SPECIFIED:		APVD P DESANTIS 16DEC08	NAME	
0 PLC ± -		PRODUCT SPEC	HOUSING, RECEPTACLE, FASTON, .250 SERIES, 2 CIRCUIT	
1 PLC ± -		APPLICATION SPEC	SIZE CAGE CODE DRAWING NO RESTRICTED TO	
2 PLC ± 0.25 [.010]		WEIGHT -	A2 00779 C=1969232	
3 PLC ± -		CUSTOMER DRAWING	SCALE 4:1 SHEET 1 OF 2 REV A8	
4 PLC ± -				
ANGLES ± 5°				
FINISH SEE TABLE				

THIS DRAWING IS UNPUBLISHED. RELEASED FOR PUBLICATION
 © COPYRIGHT - TE Connectivity Ltd. ALL RIGHTS RESERVED.

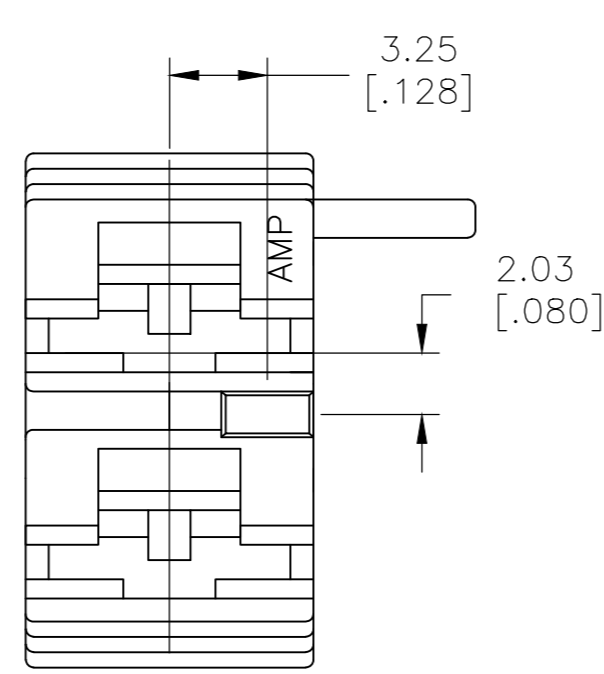
REVISIONS					
P	LTR	DESCRIPTION	DATE	DWN	APVD
-	-	SEE SHEET 1	-	-	-



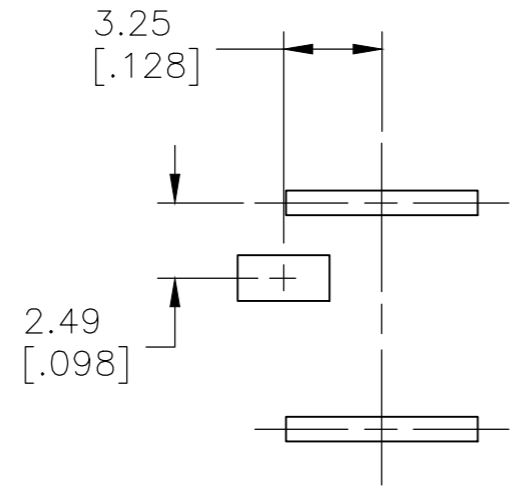
KEYING FOR -1
TAB ENTRY VIEW
NATURAL



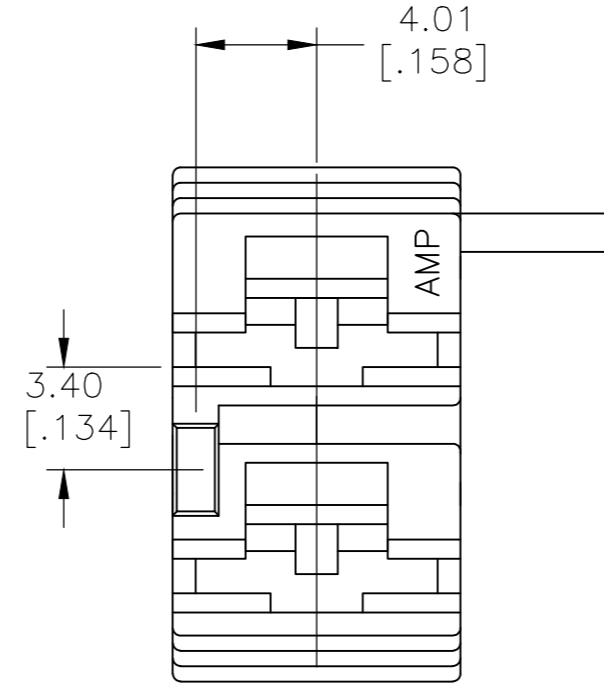
SUGGESTED
PC BOARD
CIRCUIT FOR
1969232-1



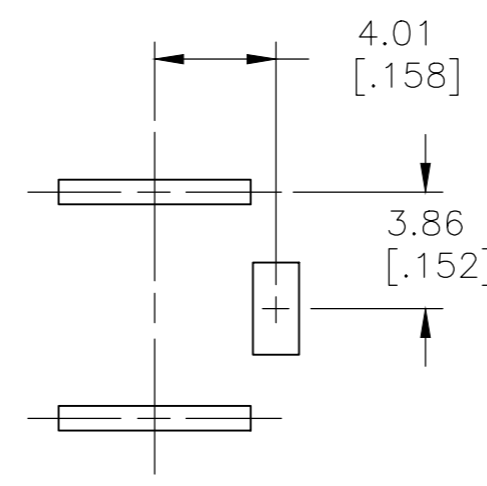
KEYING FOR -2
TAB ENTRY VIEW
BLACK



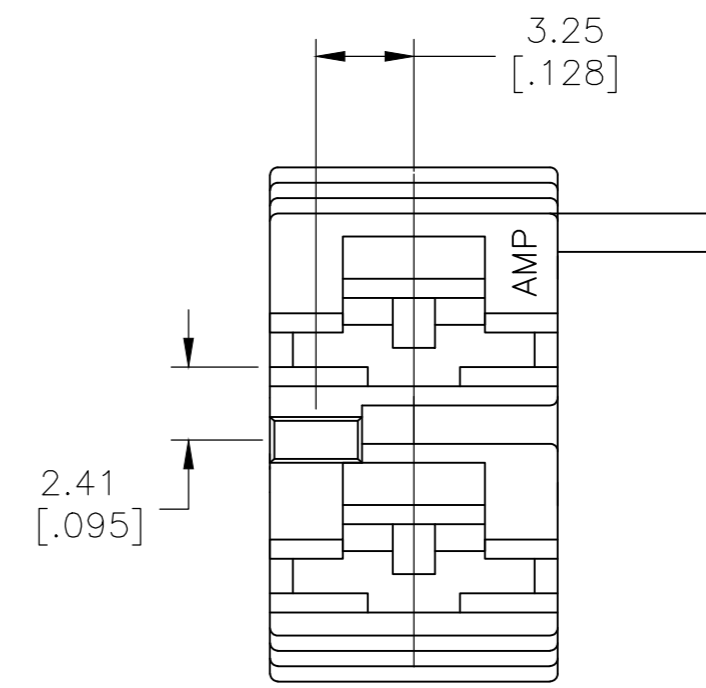
SUGGESTED
PC BOARD
CIRCUIT FOR
1969232-2



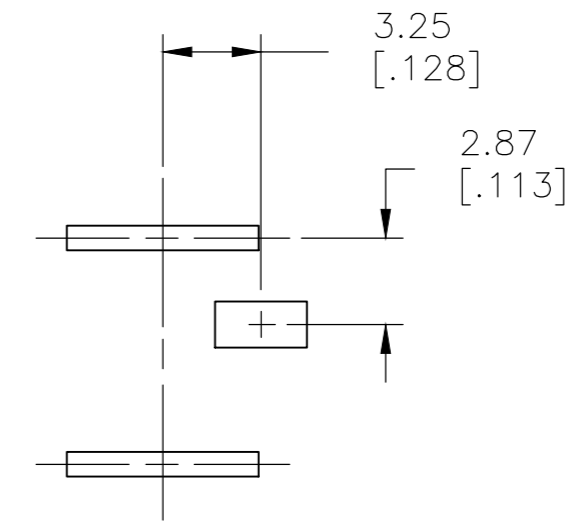
KEYING FOR -3
TAB ENTRY VIEW
YELLOW



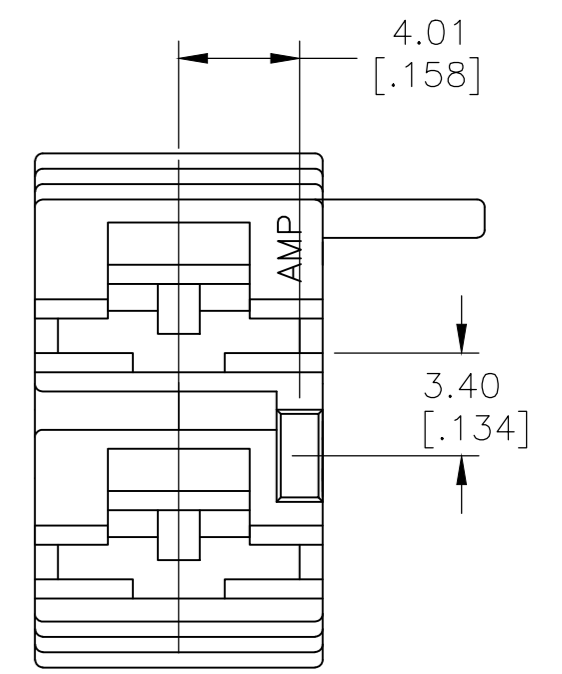
SUGGESTED
PC BOARD
CIRCUIT FOR
1969232-3



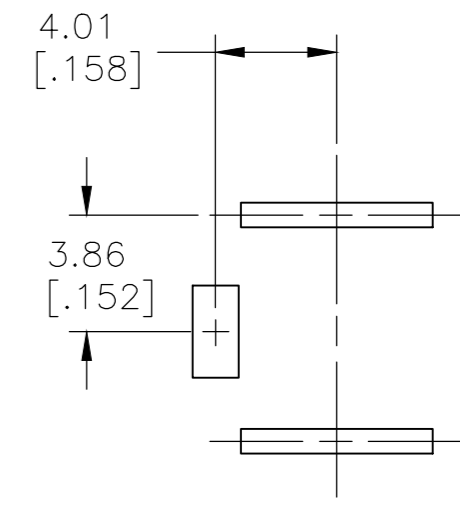
KEYING FOR -4
TAB ENTRY VIEW
GREEN




SUGGESTED
PC BOARD
CIRCUIT FOR
1969232-4



KEYING FOR -5
TAB ENTRY VIEW
RED



SUGGESTED
PC BOARD
CIRCUIT FOR
1969232-5

THIS DRAWING IS A CONTROLLED DOCUMENT.		DWN jr ruth 16DEC08	 TE Connectivity Ltd.	
DIMENSIONS: mm [INCHES]		CHK P DESANTIS 16DEC08		
TOLERANCES UNLESS OTHERWISE SPECIFIED:		APVD P DESANTIS 16DEC08	NAME HOUSING, RECEPTACLE, FASTON, .250 SERIES, 2 CIRCUIT	
0 PLC ± - 1 PLC ± - 2 PLC ± 0.25 [.010] 3 PLC ± - 4 PLC ± - ANGLES ± 5°		PRODUCT SPEC -	RESTRICTED TO -	
MATERIAL SEE TABLE		FINISH SEE TABLE	WEIGHT -	SIZE A2
		CUSTOMER DRAWING	SCALE 4:1	CAGE CODE 00779
			DRAWING NO 1969232	SHEET 2 of 2
			REV A8	

X-ON Electronics

Largest Supplier of Electrical and Electronic Components

Click to view similar products for [Headers & Wire Housings](#) category:

Click to view products by [TE Connectivity](#) manufacturer:

Other Similar products are found below :

[95000-104TRLF](#) [10135584-644402LF](#) [DF62W-EP2022PCA](#) [95000-106TRLF](#) [DF62W-2022SCA](#) [DF62W-EP2022PC](#) [2203348](#) [DF62W-2022SC](#) [1084018](#) [1029039](#) [1084017](#) [802-10-012-10-002000](#) [1112640](#) [1112639](#) [000-34000](#) [0009482033](#) [0009507031](#) [57102-S06-03LF](#) [57202-S52-04LF](#) [PCN6-15S-2.5E](#) [0039019024](#) [58102-G61-06LF](#) [582553-1](#) [0009508121](#) [0050291907](#) [018731A](#) [LY20-4P-DT1-P1E-BR](#) [02.125.8002.8](#) [60101931](#) [60598-1 \(Cut Strip\)](#) [M1625-3R/100](#) [61062-3](#) [61082-181009](#) [636-1427](#) [638009-1](#) [641938-9](#) [641991-4](#) [644168-1](#) [647662-1](#) [65039-019ELF](#) [65817-002LF](#) [65817-015LF](#) [65863-015LF](#) [66207-023LF](#) [67016-026LF](#) [67046-001LF](#) [67095-007LF](#) [68002-116](#) [68016-236H](#) [68648-049](#)