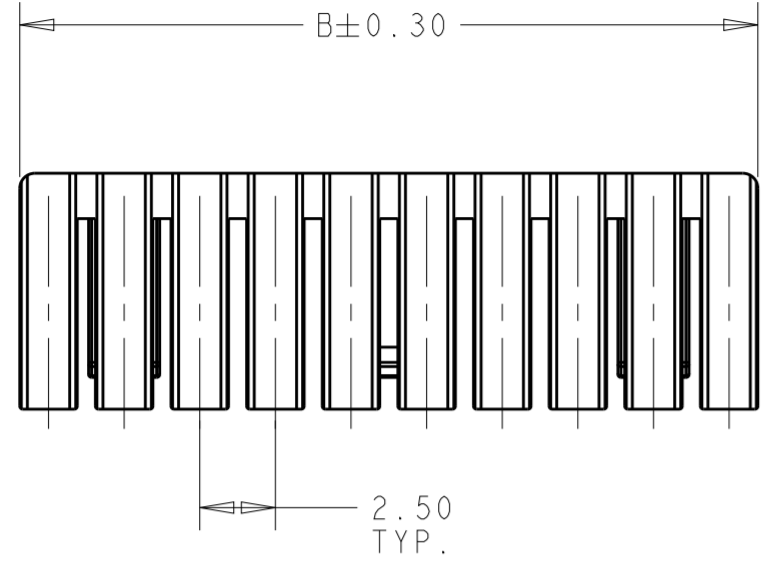


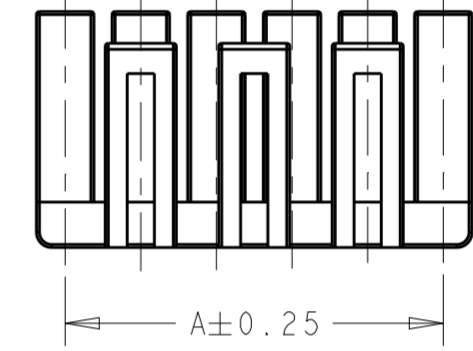
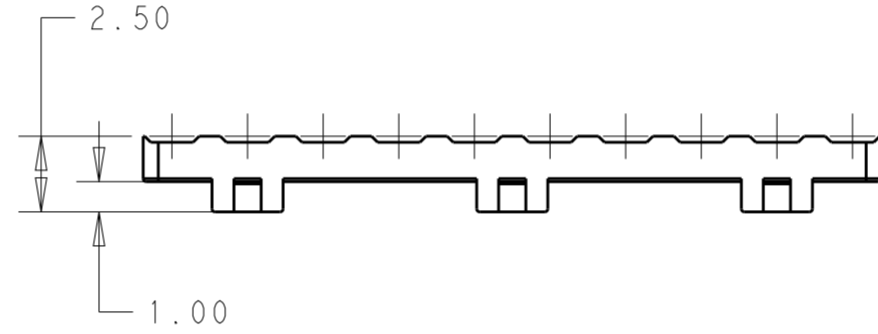
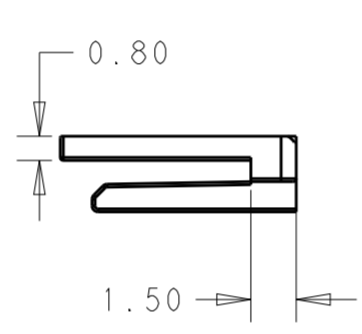
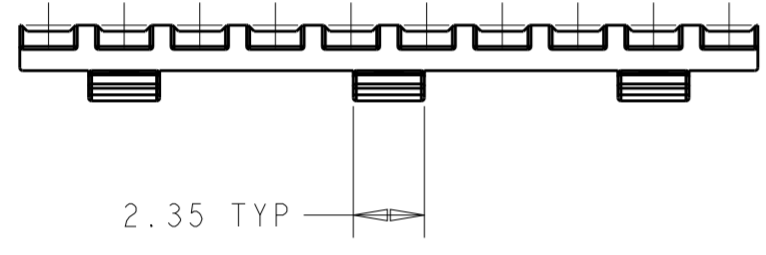
THIS DRAWING IS UNPUBLISHED. RELEASED FOR PUBLICATION  
 © COPYRIGHT copyright.d8te- ALL RIGHTS RESERVED.

REVISIONS				
P	LTR	DESCRIPTION	DATE	APVD
	A3	REVISED PER ECR-18-010321	17SEP2018	WH DZ

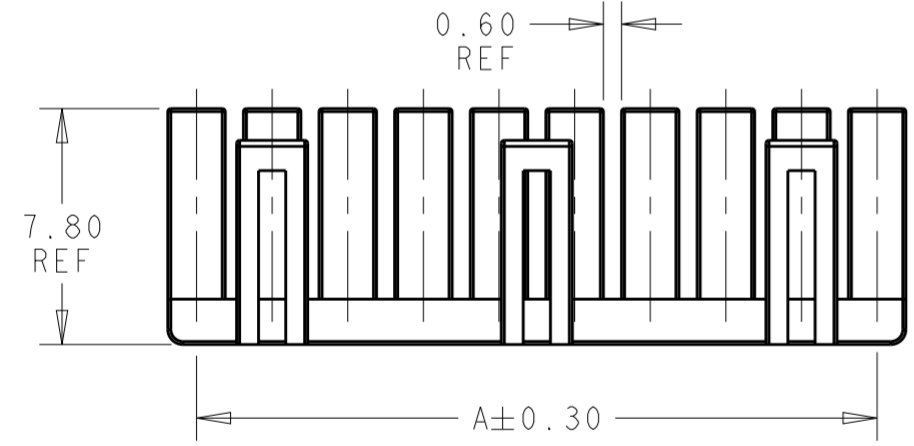


1 MATERIAL:  
 HOUSING - HIGH PERFORMANCE RESIN, UL94-V0, GLASS FILLED  
 COLOR - BLACK

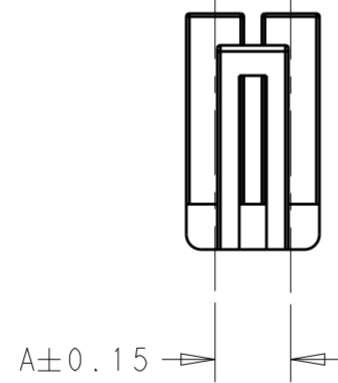
2 MATES WITH TPA HOUSING 1969442-()



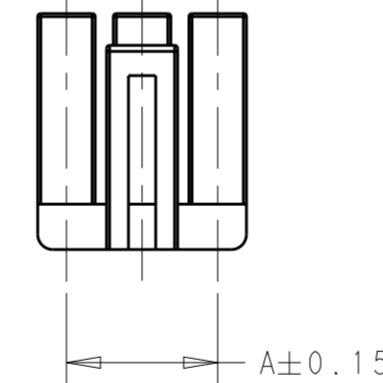
6 POSITION  
 1969443-6



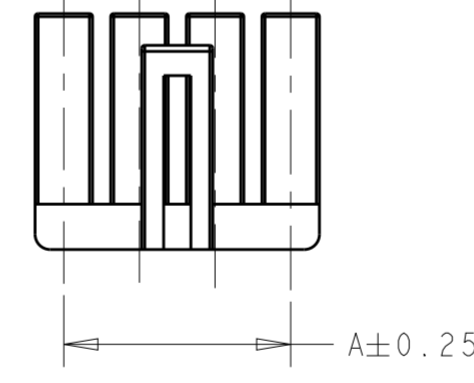
7 THRU 20 POSITION  
 1969443-7 THRU -20



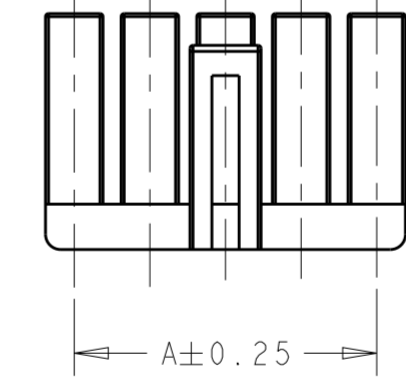
2 POSITION  
 1969443-2



3 POSITION  
 1969443-3

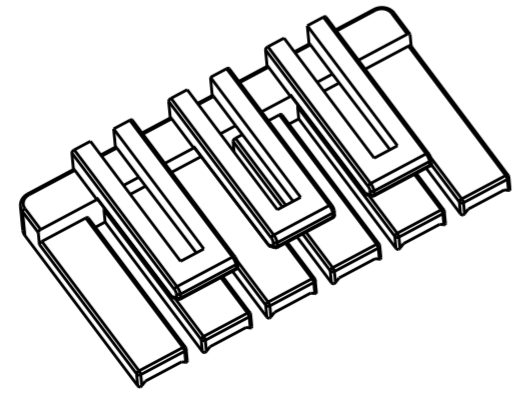


4 POSITION  
 1969443-4



5 POSITION  
 1969443-5

20	49.4	47.5	2-1969443-0
19	46.9	45.0	1-1969443-9
18	44.4	42.5	1-1969443-8
17	41.9	40.0	1-1969443-7
16	39.4	37.5	1-1969443-6
15	36.9	35.0	1-1969443-5
14	34.4	32.5	1-1969443-4
13	31.9	30.0	1-1969443-3
12	29.4	27.5	1-1969443-2
11	26.9	25.0	1-1969443-1
10	24.4	22.5	1-1969443-0
9	21.9	20.0	1969443-9
8	19.4	17.5	1969443-8
7	16.9	15.0	1969443-7
6	14.4	12.5	1969443-6
5	11.9	10.0	1969443-5
4	9.4	7.5	1969443-4
3	6.9	5.0	1969443-3
2	4.4	2.5	1969443-2
POS	DIM B	DIM A	PART NUMBER



THIS DRAWING IS A CONTROLLED DOCUMENT.

DIMENSIONS: mm	TOLERANCES UNLESS OTHERWISE SPECIFIED: 0 PLC ± 1 PLC ± 2 PLC ±0.13 3 PLC ± 4 PLC ± ANGLES ± FINISH	DWN 01 JUN 2016 NAGALAKSHMI K CHK 01 JUN 2016 CHIARELLI DAVIDE APVD 01 JUN 2016 CHIARELLI DAVIDE	TE Connectivity NAME ECONOMY POWER 2.5 TPA RETAINER PRODUCT SPEC 108-2418 APPLICATION SPEC 114-13315 WEIGHT - CUSTOMER DRAWING
		SIZE A2 CAGE CODE 00779 DRAWING NO C-1969443 RESTRICTED TO - SCALE N/A SHEET 1 OF 1 REV A3	

## X-ON Electronics

Largest Supplier of Electrical and Electronic Components

*Click to view similar products for [Headers & Wire Housings](#) category:*

*Click to view products by [TE Connectivity](#) manufacturer:*

Other Similar products are found below :

[892-18-020-10-001101](#) [58102-G61-06LF](#) [582553-1](#) [0009485154](#) [009176003701906](#) [0050291907](#) [LY20-4P-DT1-P1E-BR](#) [02.125.8002.8](#)  
[609-3404](#) [61062-3](#) [61082-181009](#) [622-3653LF](#) [63453-116](#) [636-1030](#) [636-1427](#) [636-3427](#) [636-4007](#) [641938-9](#) [641991-4](#) [644827-2](#) [65817-](#)  
[010LF](#) [65817-015LF](#) [65863-015LF](#) [66207-023LF](#) [67095-007LF](#) [67601157](#) [68645-018](#) [68648-049](#) [70.362.1628.0](#) [70-4210](#) [70-4226B](#) [70-](#)  
[4853B](#) [707-5020](#) [707-5028](#) [71.350.2428.0](#) [71918-208LF](#) [71961-016LF](#) [733-134](#) [733-162](#) [754199-000](#) [760-3052](#) [787-8014-00](#) [79531-3000](#)  
[FCN-360C032-B](#) [FCN-367T-T012/H](#) [FCN-723D010/2](#) [80.063.4001.1](#) [800-90-001-10-001000](#) [800-90-010-10-002000](#) [801-43-002-10-013000](#)