

4

3

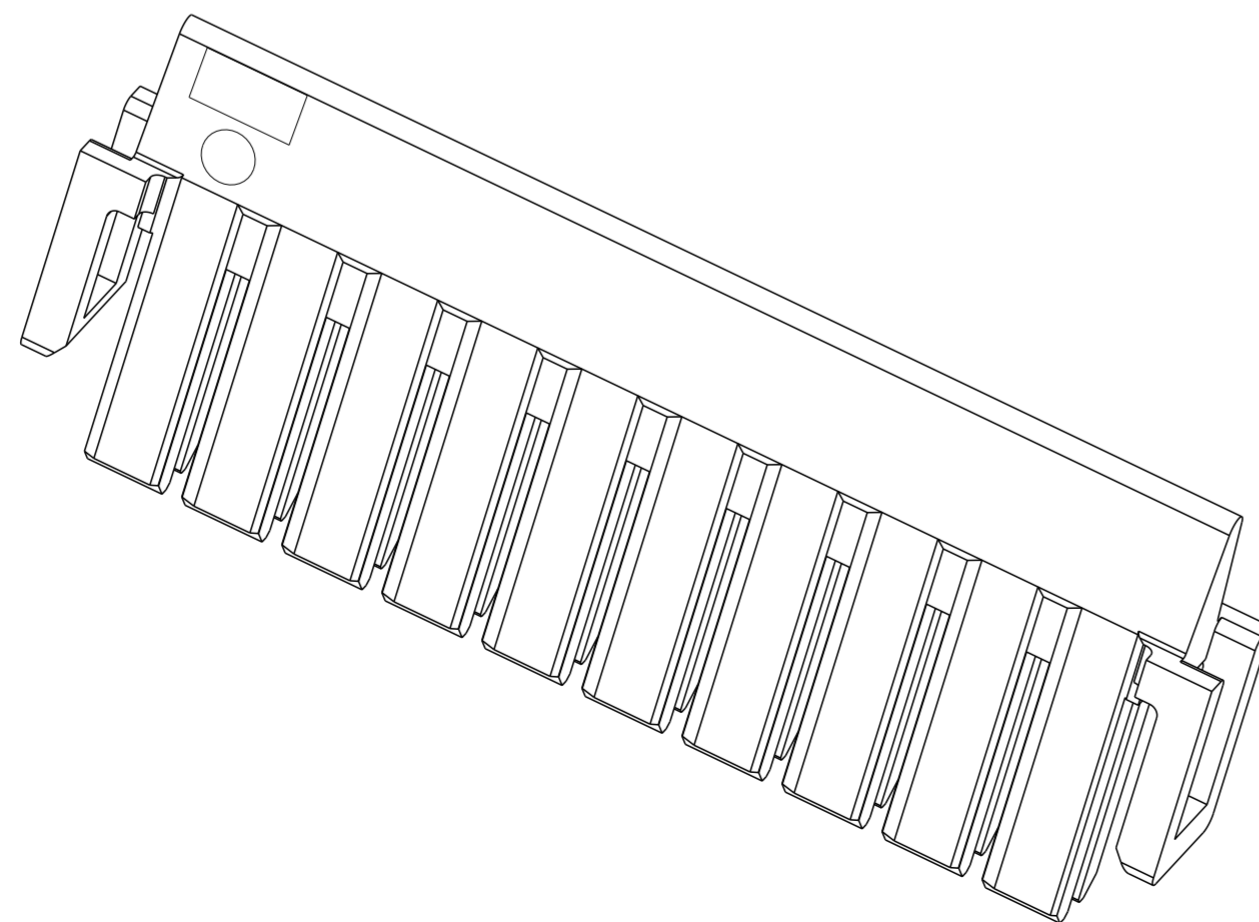
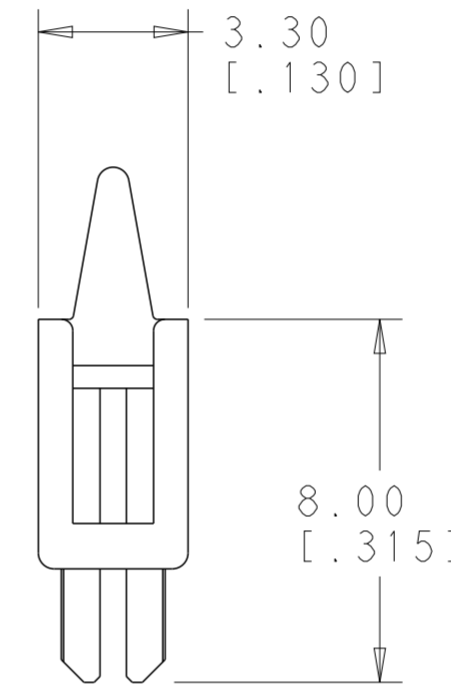
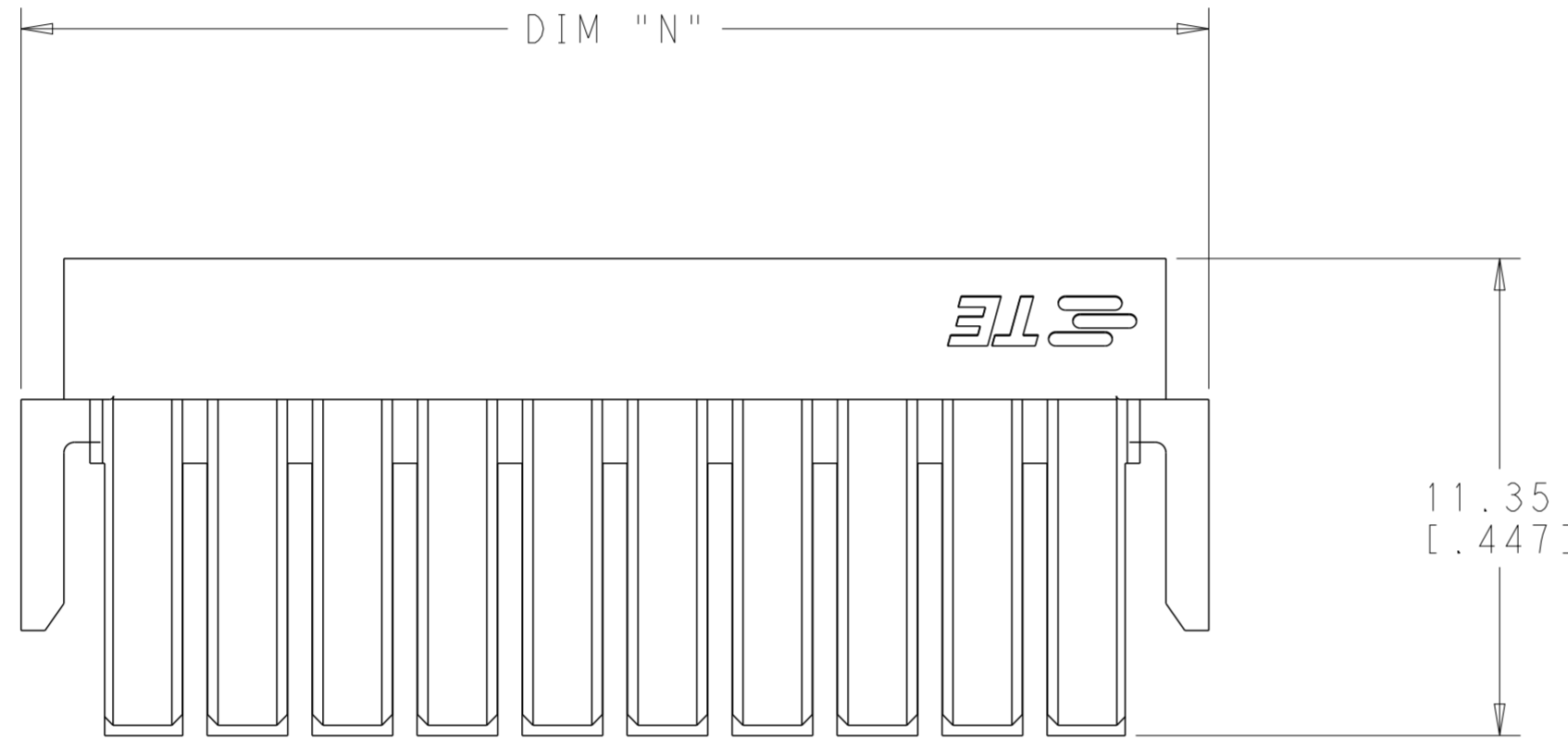
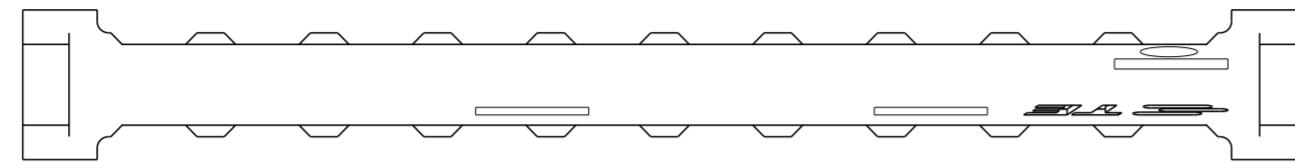
2

1


THIS DRAWING IS UNPUBLISHED. RELEASED FOR PUBLICATION 20  
 © COPYRIGHT 20 BY - ALL RIGHTS RESERVED.

LOC		DIST		REVISIONS			
P	LTR	DESCRIPTION		DATE	DWN	APVD	
AF	50	A2	REVISED PER ECR-15-006219		30APR2015	NK	JR

1 MATES WITH CORRESPONDING PLUG HOUSING  
 PART NUMBER X-1969540-X.



53.28 [2.098]	4-1969541-0
50.78 [1.999]	3-1969541-8
48.28 [1.901]	3-1969541-6
45.78 [1.802]	3-1969541-4
43.28 [1.704]	3-1969541-2
40.78 [1.605]	3-1969541-0
38.28 [1.507]	2-1969541-8
35.78 [1.409]	2-1969541-6
33.28 [1.310]	2-1969541-4
30.78 [1.212]	2-1969541-2
28.28 [1.113]	2-1969541-0
25.78 [1.015]	1-1969541-8
23.28 [.916]	1-1969541-6
20.78 [.818]	1-1969541-4
18.28 [.720]	1-1969541-2
15.78 [.621]	1-1969541-0
13.28 [.523]	1969541-8
DIM "N"	PART NO.

THIS DRAWING IS A CONTROLLED DOCUMENT.		DWN	JR RUTH	21AUG2012	 TE Connectivity
DIMENSIONS: mm [INCHES]		CHK	KURT RANDOLPH	21AUG2012	
TOLERANCES UNLESS OTHERWISE SPECIFIED:		APVD	SAM MACE	21AUG2012	
0 PLC ± 1 PLC ± 2 PLC ±0.13 [.005] 3 PLC ± 4 PLC ± ANGLES ±1 FINISH		PRODUCT SPEC	108-2418	NAME	
MATERIAL	-	APPLICATION SPEC	114-13315	SIZE	A2
- COLOR-BLACK		WEIGHT	-	CAGE CODE	00779
Customer Drawing		Customer Drawing		DRAWING NO	C-1969541
SCALE		5:1		RESTRICTED TO	-
SHEET		1 OF 1		REV	A2

## X-ON Electronics

Largest Supplier of Electrical and Electronic Components

*Click to view similar products for [Headers & Wire Housings](#) category:*

*Click to view products by [TE Connectivity](#) manufacturer:*

Other Similar products are found below :

[892-18-020-10-001101](#) [58102-G61-06LF](#) [582553-1](#) [0009485154](#) [009176003701906](#) [0050291907](#) [LY20-4P-DT1-P1E-BR](#) [02.125.8002.8](#)  
[609-3404](#) [61062-3](#) [61082-181009](#) [622-3653LF](#) [63453-116](#) [636-1030](#) [636-1427](#) [636-3427](#) [636-4007](#) [641938-9](#) [641991-4](#) [644827-2](#) [65817-](#)  
[010LF](#) [65817-015LF](#) [65863-015LF](#) [66207-023LF](#) [67095-007LF](#) [67601157](#) [68645-018](#) [68648-049](#) [70.362.1628.0](#) [70-4210](#) [70-4226B](#) [70-](#)  
[4853B](#) [707-5020](#) [707-5028](#) [71.350.2428.0](#) [71918-208LF](#) [71961-016LF](#) [733-134](#) [733-162](#) [754199-000](#) [760-3052](#) [787-8014-00](#) [79531-3000](#)  
[FCN-360C032-B](#) [FCN-367T-T012/H](#) [FCN-723D010/2](#) [80.063.4001.1](#) [800-90-001-10-001000](#) [800-90-010-10-002000](#) [801-43-002-10-013000](#)