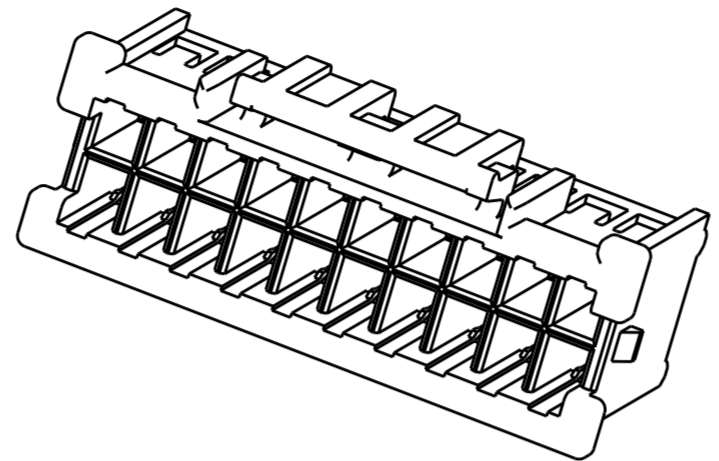
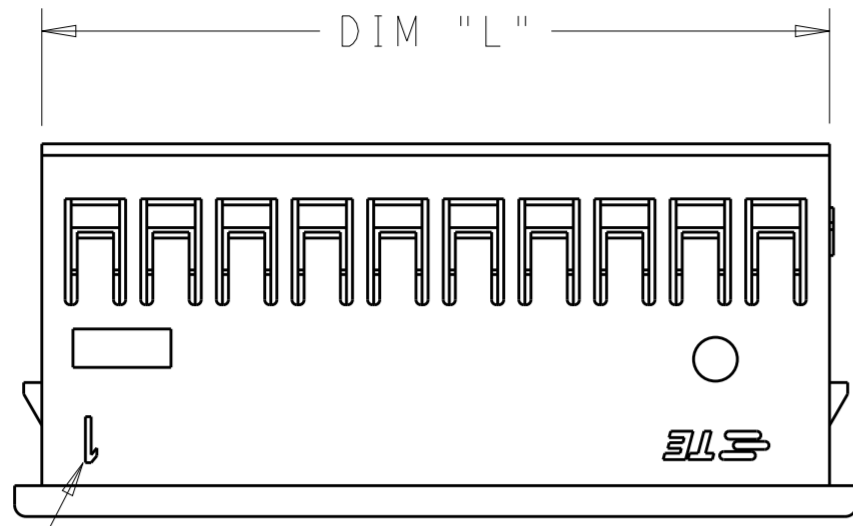
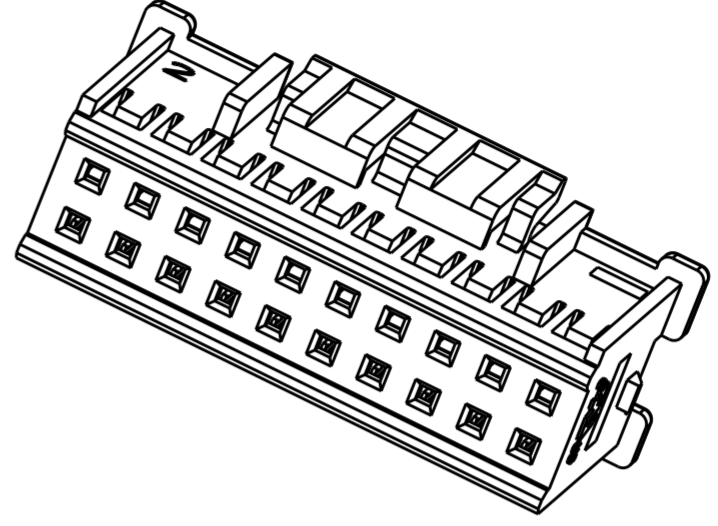


THIS DRAWING IS UNPUBLISHED. RELEASED FOR PUBLICATION 20  
 © COPYRIGHT 20 BY - ALL RIGHTS RESERVED.

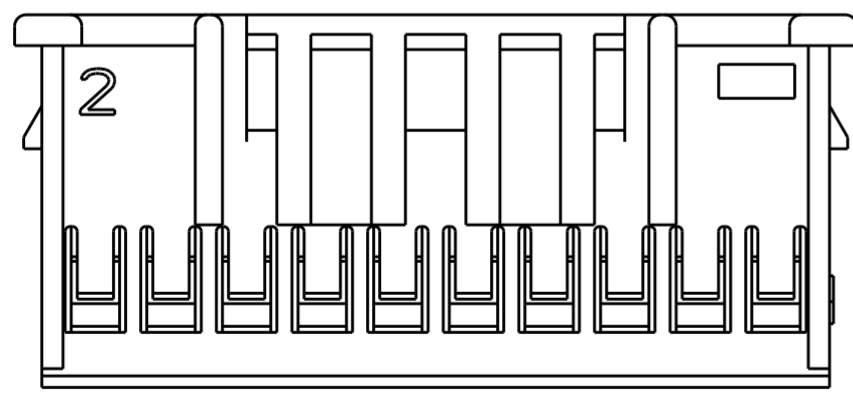
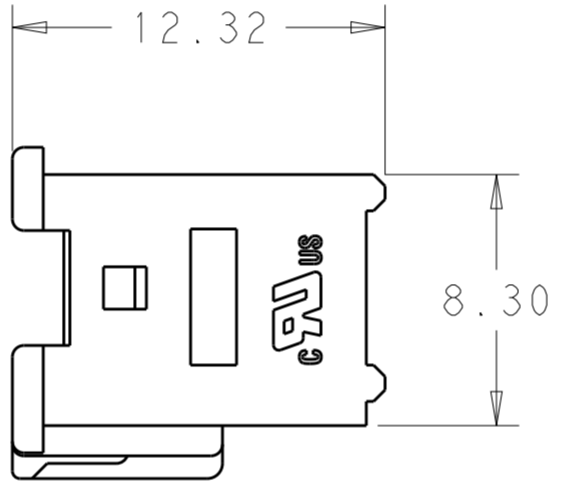
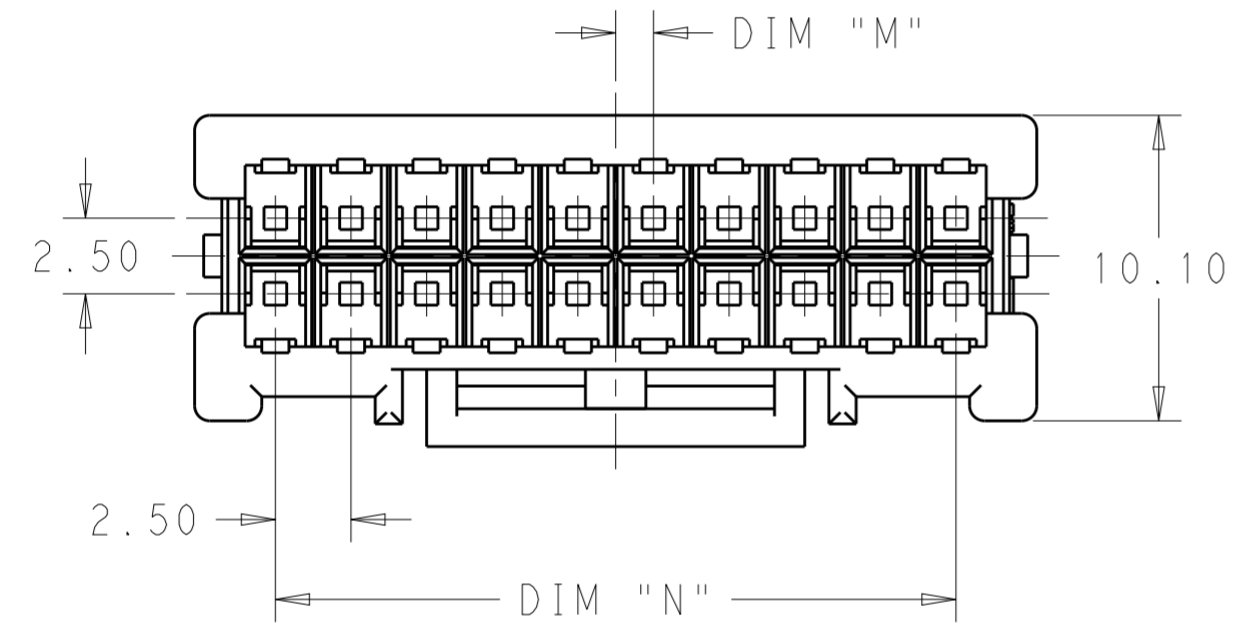
REVISIONS							
LOC	DIST	P	LTR	DESCRIPTION	DATE	DWN	APVD
-	-	B		REVISED PER ECR-16-000965	04MAY16	O.C	D.Z



3D REAR VIEW  
20 POSITION SHOWN



3D MATING FACE VIEW  
20 POSITION SHOWN



- 1 MATERIAL: NYLON, UL94V-0, FLAME REDARDANT, COLOR:NATURAL.
- 2 PARTS TESTED TO IEC 60695-2-11 AND IS COMPLIANT TO IEC 60335-1.
- 3 HOUSING, MATERIAL MEETS MINIMUM GLOW WIRE FLAMMIBILITY INDEX OF 850°C PER IEC 60695-2-12 AND MINIMUM GLOW WIRE IGNITION TEMP OF 775°C PER IEC 60695-2-13.
- 4 SEE SHEET 2 FOR LATCH DESIGN ON THE DIFFERENT PART NUMBERS.

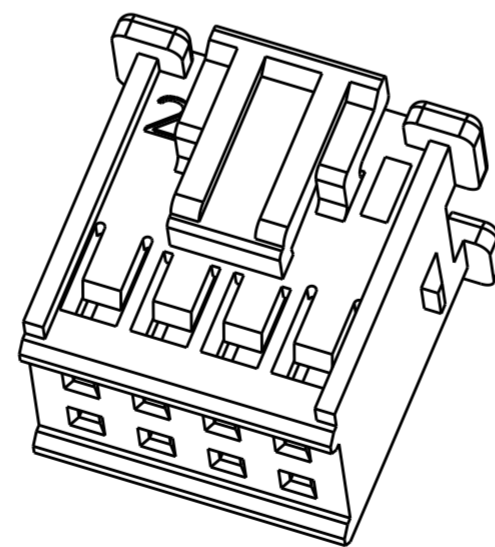
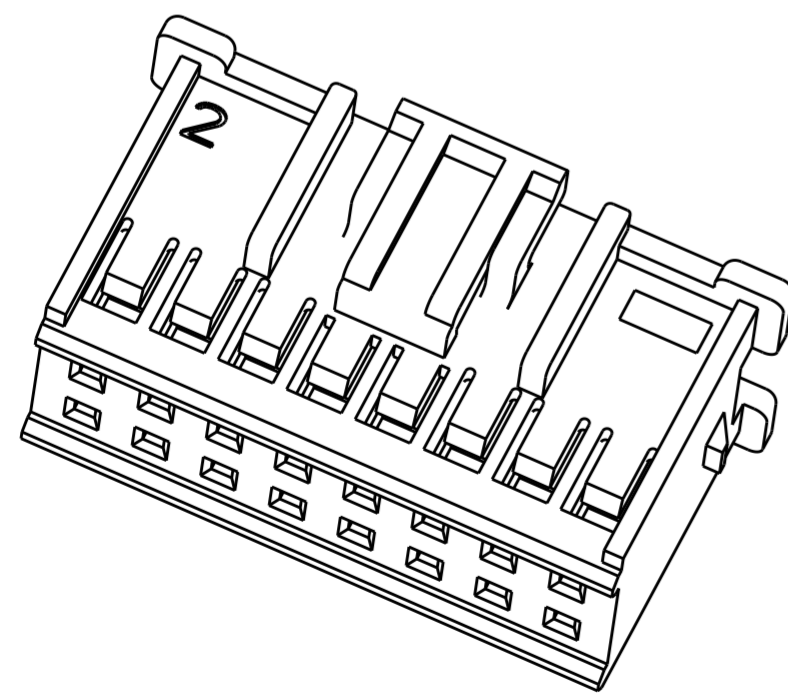
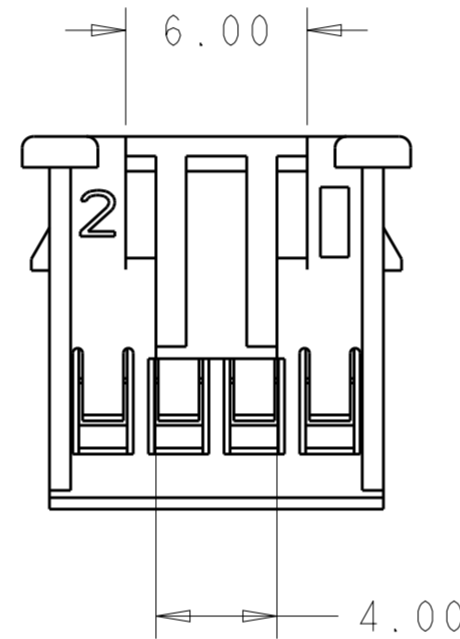
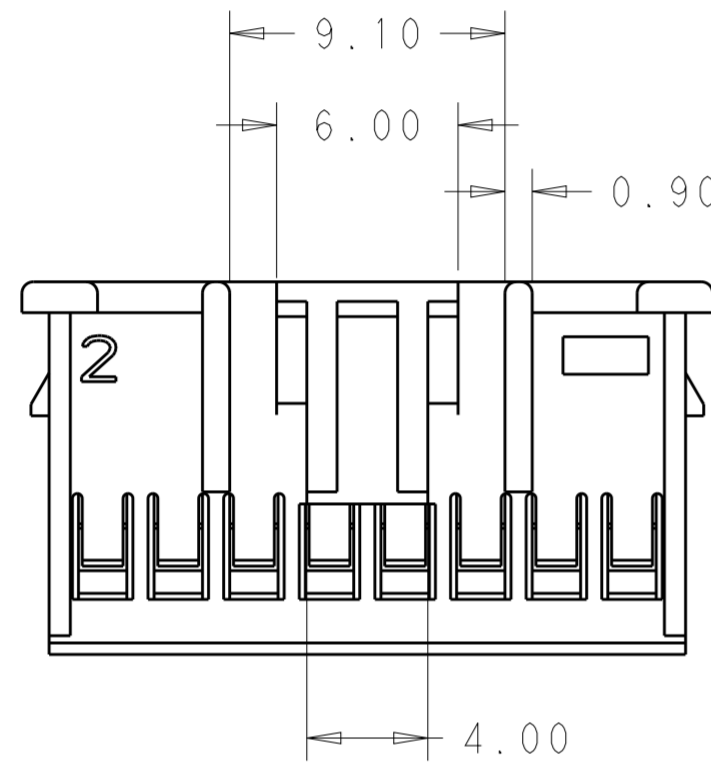
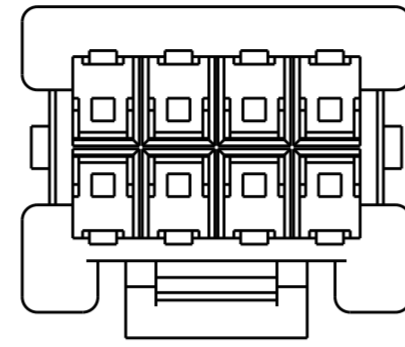
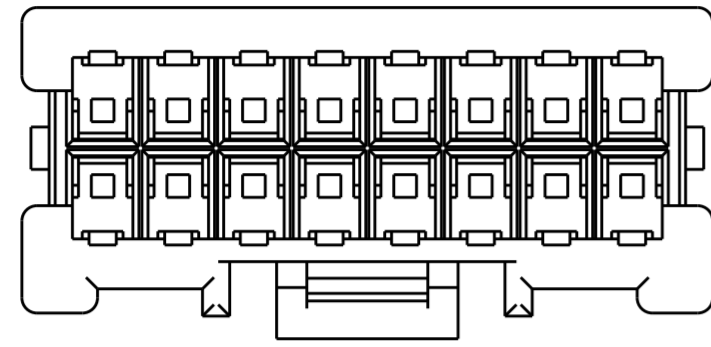
1.25	2	47.50	51.04	4-1969567-0
0.00	2	45.00	48.54	3-1969567-8
1.25	2	42.50	46.04	3-1969567-6
0.00	2	40.00	43.54	3-1969567-4
1.25	2	37.50	41.04	3-1969567-2
0.00	2	35.00	38.54	3-1969567-0
1.25	2	32.50	36.04	2-1969567-8
0.00	2	30.00	33.54	2-1969567-6
1.25	2	27.50	31.04	2-1969567-4
0.00	2	25.00	28.54	2-1969567-2
1.25	2	22.50	26.04	2-1969567-0
0.00	2	20.00	23.54	1-1969567-8
1.25	1	17.50	21.04	1-1969567-6
0.00	1	15.00	18.54	1-1969567-4
1.25	1	12.50	16.04	1-1969567-2
0.00	1	10.00	13.54	1-1969567-0
1.25	1	7.50	11.04	1969567-8
DIM "M"	NO. OF LATCH CUT-OUTS	DIM "N"	DIM "L"	PART NO.

THIS DRAWING IS A CONTROLLED DOCUMENT.

DIMENSIONS: mm	TOLERANCES UNLESS OTHERWISE SPECIFIED:	DWN: JR RUTH 01OCT2012	TE Connectivity
	0 PLC ±	CHK: KURT RANDOLPH 01OCT2012	
	1 PLC ±	APVD: KURT RSNDOLPH 01OCT2012	
	2 PLC ±0.25	PRODUCT SPEC: 108-2418	
MATERIAL	FINISH	APPLICATION SPEC: 114-13315	NAME: HOUSING, SOCKET, E.P. 2.5, DUAL ROW, GLOW WIRE
SEE NOTES	CUSTOMER DRAWING	WEIGHT: -	SIZE: A2 CAGE CODE: 00779 DRAWING NO: C-1969567
			RESTRICTED TO: -
			SCALE: N/A SHEET 1 OF 2 REV B


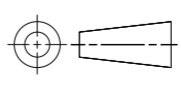
THIS DRAWING IS UNPUBLISHED. RELEASED FOR PUBLICATION 20  
 © COPYRIGHT 20 BY - ALL RIGHTS RESERVED.

LOC	DIST	REVISIONS			
P	LTR	DESCRIPTION	DATE	DWN	APVD
-	-	SEE SHEET 1	-	-	-



SINGLE LATCH DETAIL  
 1-1969567-6 SHOWN HERE  
 THESE DIM'S ARE FOR THE  
 1-1969567-2 THRU -16

SINGLE LATCH DETAIL  
 1969567-8 SHOWN HERE  
 THESE DIM'S ARE FOR THE  
 1969567-8 AND 1-1969567-0

THIS DRAWING IS A CONTROLLED DOCUMENT.		DWN JR RUTH 01OCT2012	 TE Connectivity	
DIMENSIONS: mm		CHK KURT RANDOLPH 01OCT2012		
TOLERANCES UNLESS OTHERWISE SPECIFIED:		APVD KURT RSNDOLPH 01OCT2012	NAME HOUSING, SOCKET, E.P. 2.5, DUAL ROW, GLOW WIRE	
		PRODUCT SPEC 108-2418	SIZE A200779	
MATERIAL		APPLICATION SPEC 114-13315	DRAWING NO C-1969567	
SEE NOTES		WEIGHT -	RESTRICTED TO -	
SEE NOTES		CUSTOMER DRAWING	SCALE N/A	SHEET 2 OF 2

## X-ON Electronics

Largest Supplier of Electrical and Electronic Components

*Click to view similar products for [Headers & Wire Housings](#) category:*

*Click to view products by [TE Connectivity](#) manufacturer:*

Other Similar products are found below :

[892-18-020-10-001101](#) [58102-G61-06LF](#) [582553-1](#) [0009485154](#) [009176003701906](#) [0050291907](#) [LY20-4P-DT1-P1E-BR](#) [02.125.8002.8](#)  
[609-3404](#) [61062-3](#) [61082-181009](#) [622-3653LF](#) [63453-116](#) [636-1030](#) [636-1427](#) [636-3427](#) [636-4007](#) [641938-9](#) [641991-4](#) [644827-2](#) [65817-](#)  
[010LF](#) [65817-015LF](#) [65863-015LF](#) [66207-023LF](#) [67095-007LF](#) [67601157](#) [68645-018](#) [68648-049](#) [70.362.1628.0](#) [70-4210](#) [70-4226B](#) [70-](#)  
[4853B](#) [707-5020](#) [707-5028](#) [71.350.2428.0](#) [71918-208LF](#) [71961-016LF](#) [733-134](#) [733-162](#) [754199-000](#) [760-3052](#) [79531-3000](#) [FCN-](#)  
[360C032-B](#) [FCN-367T-T012/H](#) [FCN-723D010/2](#) [80.063.4001.1](#) [800-90-001-10-001000](#) [800-90-010-10-002000](#) [801-43-002-10-013000](#)  
[801-43-006-10-002000](#)