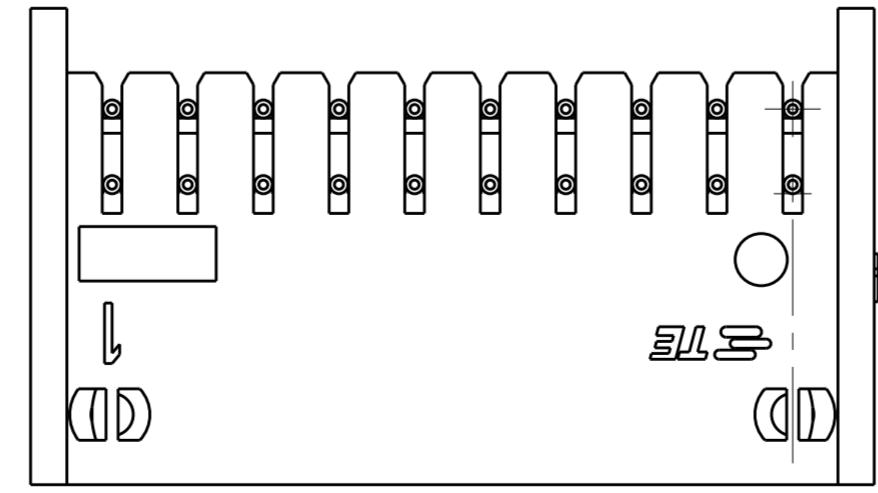
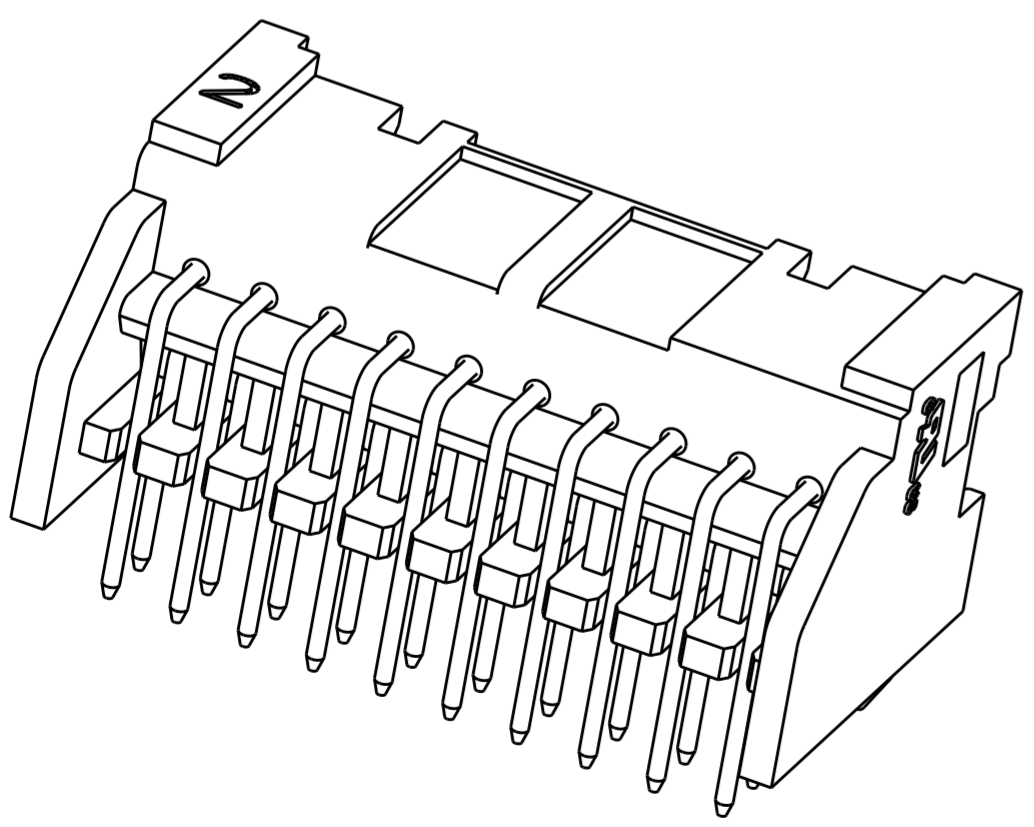
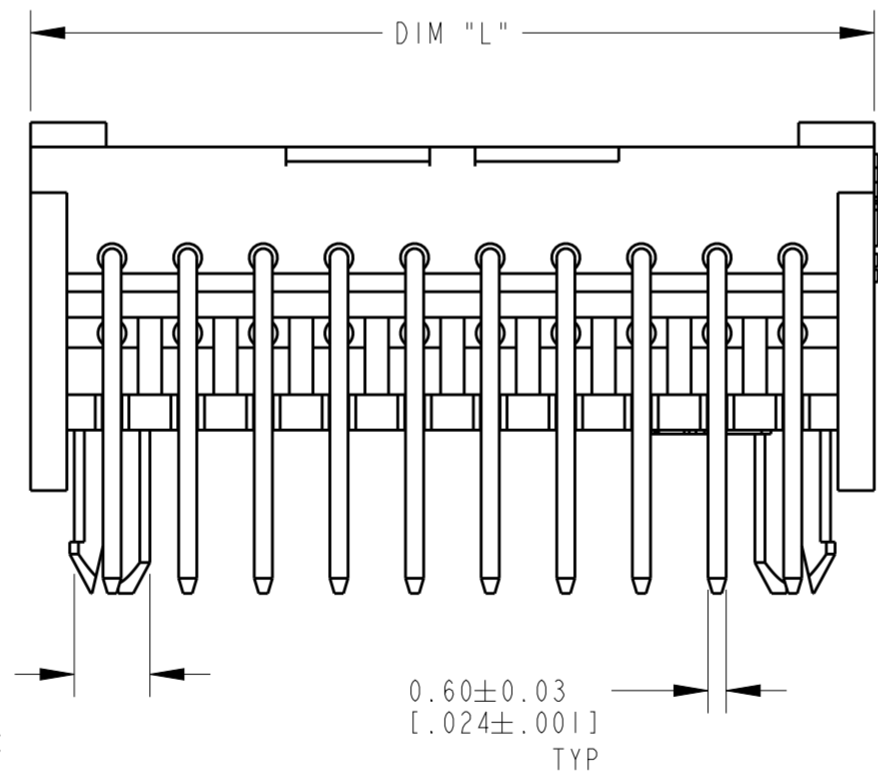
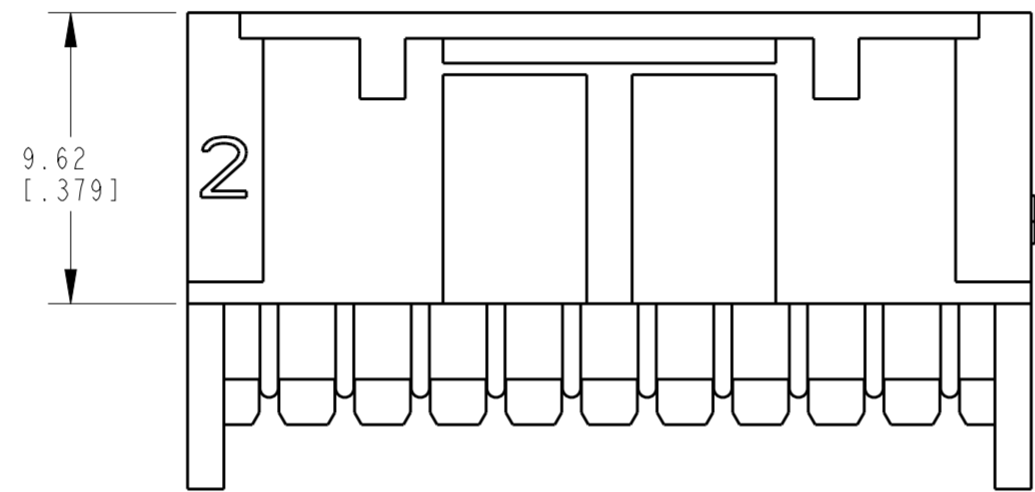
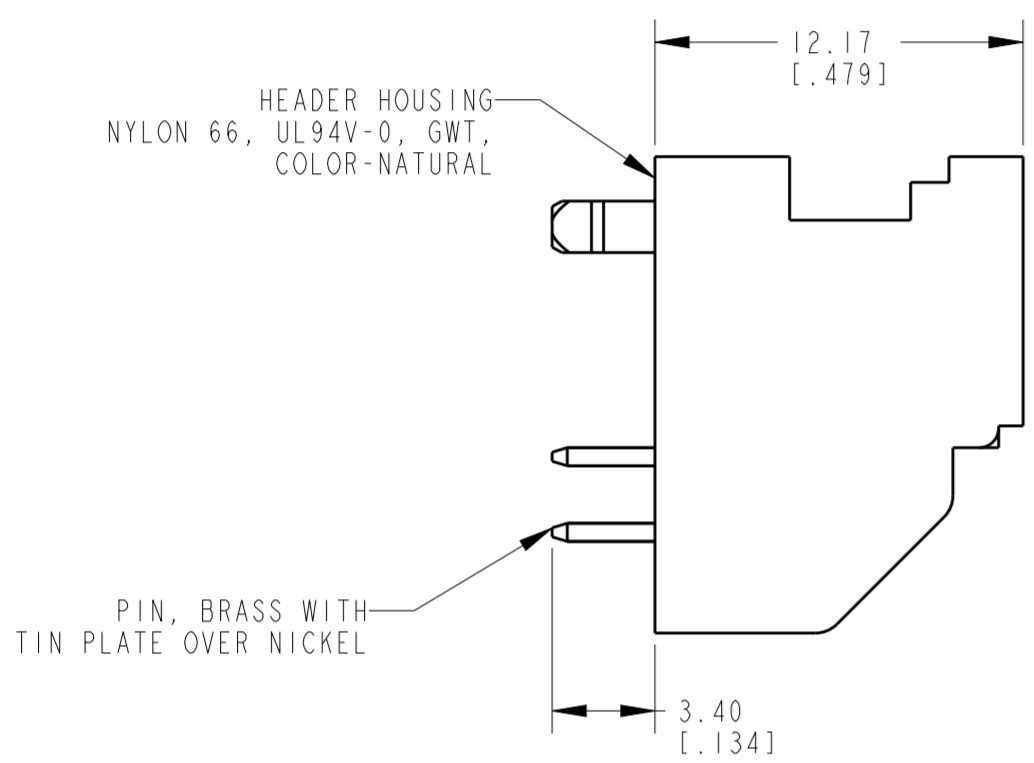
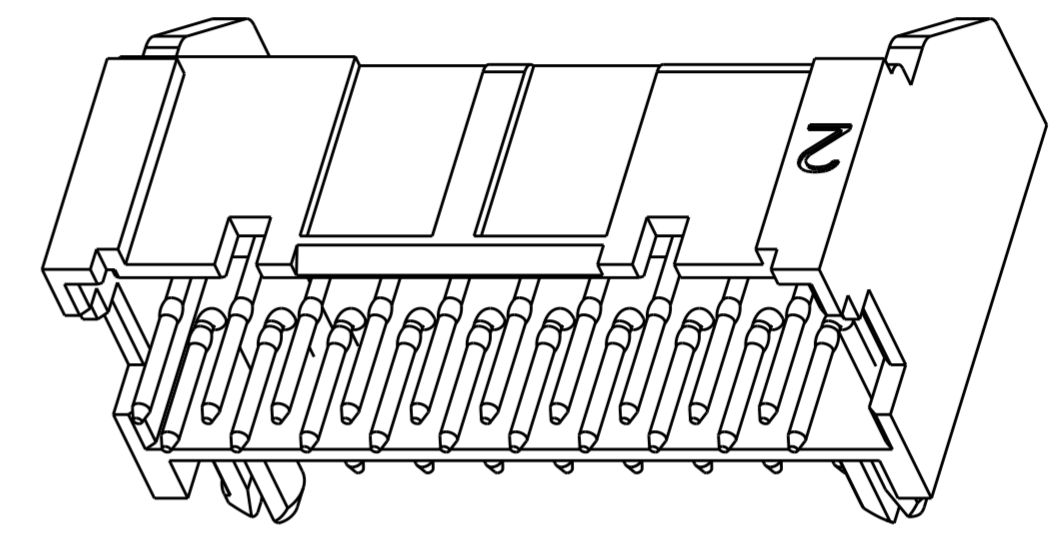
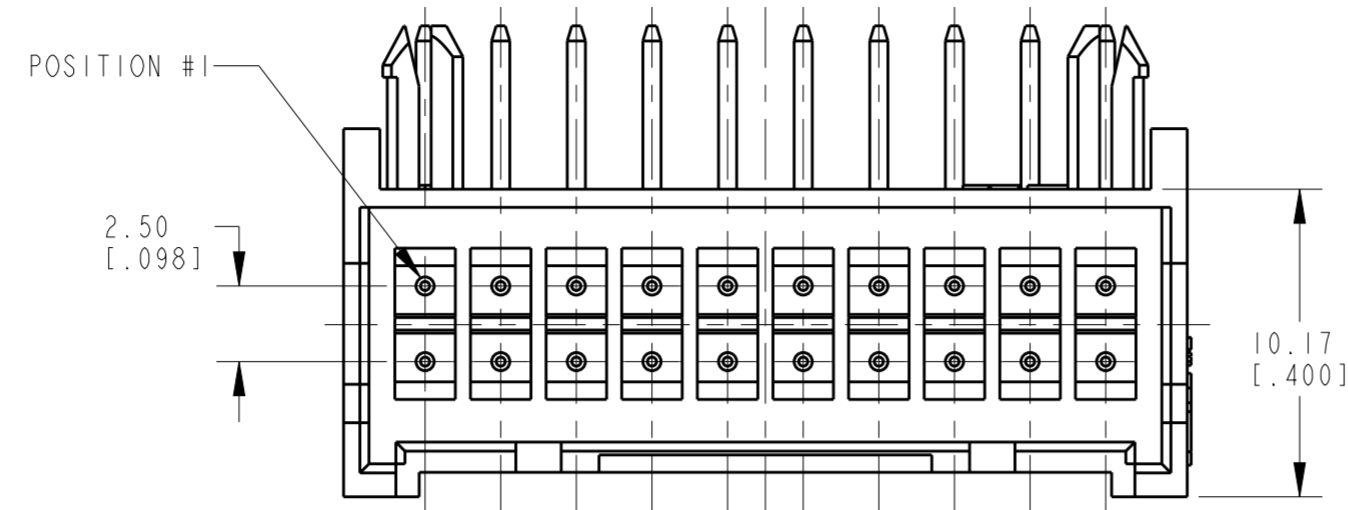


THIS DRAWING IS UNPUBLISHED. RELEASED FOR PUBLICATION 20
 © COPYRIGHT 20 ALL RIGHTS RESERVED.

REVISIONS					
P	LTR	DESCRIPTION	DATE	DWN	APVD
A		RELEASED PER ECO-15-000344	14JAN15	JR	KR



1.25 [.049]	2	47.50 [1.870]	52.89 [2.083]	40	4-1969572-0
0.00	2	45.00 [1.772]	50.39 [1.985]	38	3-1969572-8
1.25 [.049]	2	42.50 [1.673]	47.89 [1.886]	36	3-1969572-6
0.00	2	40.00 [1.575]	45.39 [1.788]	34	3-1969572-4
1.25 [.049]	2	37.50 [1.477]	42.89 [1.689]	32	3-1969572-2
0.00	2	35.00 [1.378]	40.39 [1.591]	30	3-1969572-0
1.25 [.049]	2	32.50 [1.280]	37.89 [1.492]	28	2-1969572-8
0.00	2	30.00 [1.181]	35.39 [1.394]	26	2-1969572-6
1.25 [.049]	2	27.50 [1.083]	32.89 [1.295]	24	2-1969572-4
0.00	2	25.00 [.984]	30.39 [1.197]	22	2-1969572-2
1.25 [.049]	2	22.50 [.886]	27.89 [1.098]	20	2-1969572-0
0.00	2	20.00 [.787]	25.39 [1.000]	18	1-1969572-8
1.25 [.049]	1	17.50 [.689]	22.89 [.901]	16	1-1969572-6
0.00	1	15.00 [.590]	20.39 [.803]	14	1-1969572-4
1.25 [.049]	1	12.50 [.492]	17.89 [.704]	12	1-1969572-2
0.00	1	10.00 [.394]	15.39 [.606]	10	1-1969572-0
1.25 [.049]	1	7.50 [.295]	12.89 [.507]	8	1969572-8
DIM "M"	NO. OF LATCH CUT-OUTS	DIM "F"	DIM "L"	NO. OF POSITIONS	PART NO.

THIS DRAWING IS A CONTROLLED DOCUMENT.

DWN H.C. CANTER 03OCT2012
 CHK K.A. RANDOLPH 13FEB13
 APVD K.A. RANDOLPH 13FEB13

STE TE Connectivity

NAME ASSEMBLY, PIN HEADER, EP 2.5, HORIZONTAL DUAL ROW

SIZE A2 CAGE CODE 00779 DRAWING NO. C-1969572 RESTRICTED TO -

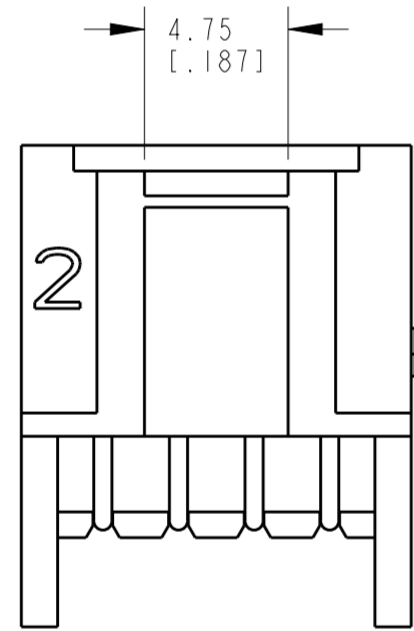
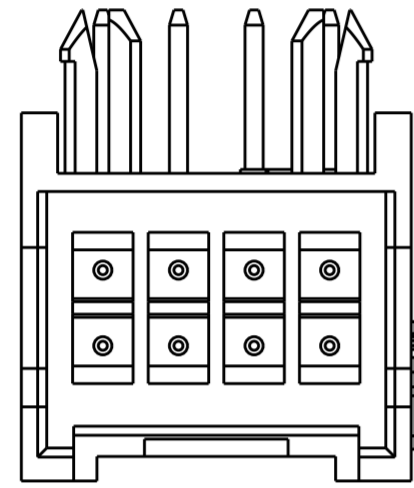
MATERIAL - DIMENSIONS: mm [INCHES] TOLERANCES UNLESS OTHERWISE SPECIFIED: 0 PLC ±, 1 PLC ±, 2 PLC ±0.25 [.010], 3 PLC ±, 4 PLC ±, ANGLES ±, FINISH -

PRODUCT SPEC - APPLICATION SPEC - WEIGHT -

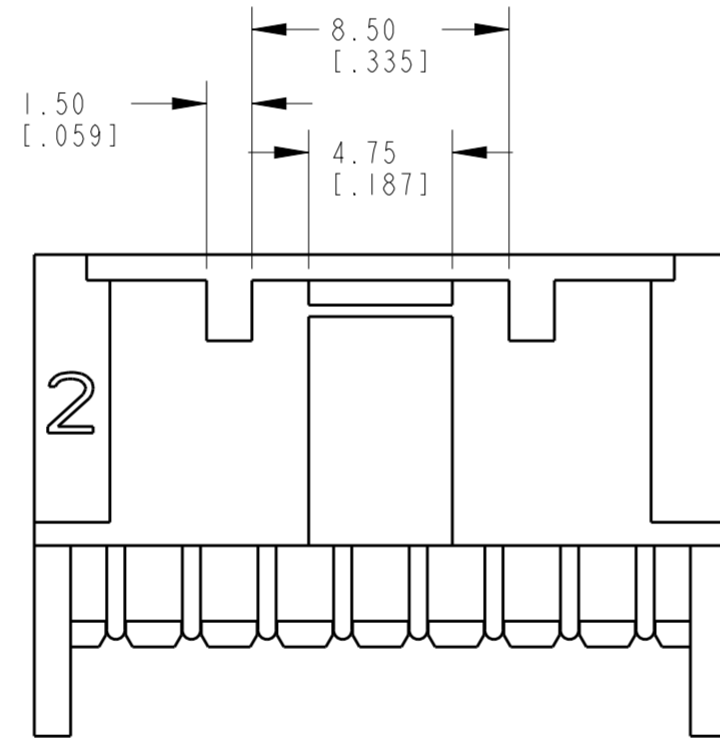
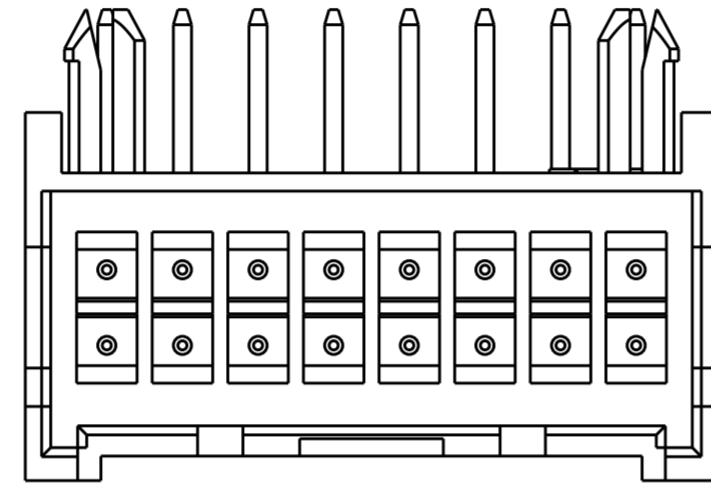
Customer Drawing SCALE 4:1 SHEET 1 OF 2 REV A

THIS DRAWING IS UNPUBLISHED. RELEASED FOR PUBLICATION 20
 © COPYRIGHT 20 ALL RIGHTS RESERVED.

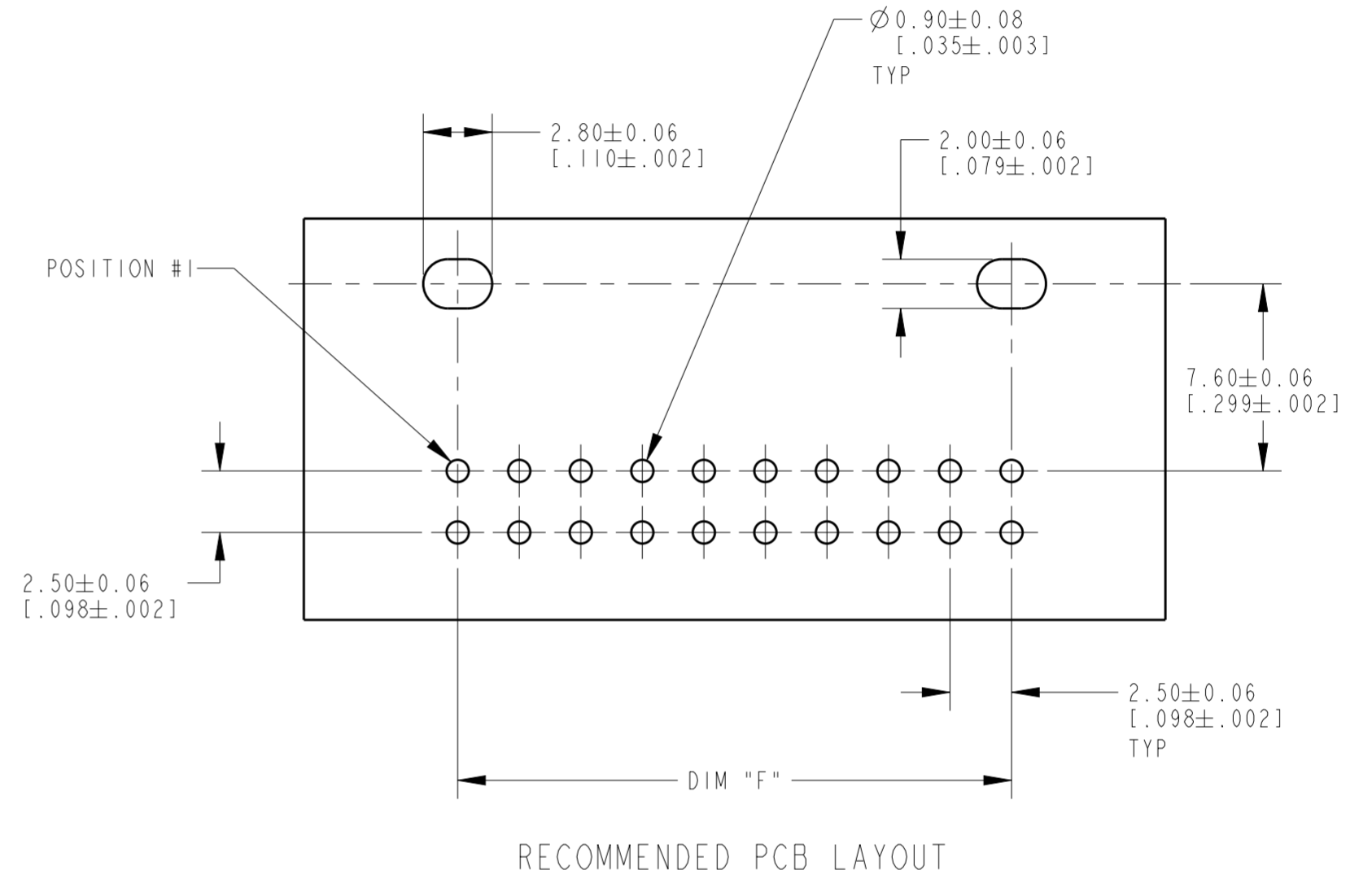
REVISIONS				
P	LTR	DESCRIPTION	DATE	APVD
-		SEE SHEET 1	-	-




SINGLE LATCH DETAIL
 1969572-8 SHOWN HERE
 THESE DIM'S ARE FOR THE
 1969572-8 AND 1-1969572-0



SINGLE LATCH DETAIL
 1-1969572-6 SHOWN HERE
 THESE DIM'S ARE FOR THE
 1-1969572-2 THRU 4-1969572-0



RECOMMENDED PCB LAYOUT

THIS DRAWING IS A CONTROLLED DOCUMENT.		DWN H.C. CANTER 03OCT2012	 TE Connectivity	
DIMENSIONS: mm [INCHES]		CHK K.A. RANDOLPH 13FEB13		
TOLERANCES UNLESS OTHERWISE SPECIFIED:		APVD K.A. RANDOLPH 13FEB13	SIZE A2	CAGE CODE 00779
0 PLC ± 1 PLC ± 2 PLC ±0.25 [0.010] 3 PLC ± 4 PLC ± ANGLES ± FINISH ±		PRODUCT SPEC -	DRAWING NO G-1969572	RESTRICTED TO -
MATERIAL -		APPLICATION SPEC -	SCALE 4:1	SHEET 2 OF 2
		WEIGHT -	REV A	
		Customer Drawing		

X-ON Electronics

Largest Supplier of Electrical and Electronic Components

Click to view similar products for [Headers & Wire Housings](#) category:

Click to view products by [TE Connectivity](#) manufacturer:

Other Similar products are found below :

[892-18-020-10-001101](#) [58102-G61-06LF](#) [582553-1](#) [0009485154](#) [009176003701906](#) [0050291907](#) [LY20-4P-DT1-P1E-BR](#) [02.125.8002.8](#)
[609-3404](#) [61062-3](#) [61082-181009](#) [622-3653LF](#) [63453-116](#) [636-1030](#) [636-1427](#) [636-3427](#) [636-4007](#) [641938-9](#) [641991-4](#) [644827-2](#) [65817-010LF](#) [65817-015LF](#) [65863-015LF](#) [66207-023LF](#) [67095-007LF](#) [67601157](#) [68645-018](#) [68648-049](#) [70.362.1628.0](#) [70-4210](#) [70-4226B](#) [70-4853B](#) [707-5020](#) [707-5028](#) [71.350.2428.0](#) [71918-208LF](#) [71961-016LF](#) [733-134](#) [733-162](#) [754199-000](#) [760-3052](#) [787-8014-00](#) [79531-3000](#)
[FCN-360C032-B](#) [FCN-367T-T012/H](#) [FCN-723D010/2](#) [80.063.4001.1](#) [800-90-001-10-001000](#) [800-90-010-10-002000](#) [801-43-002-10-013000](#)