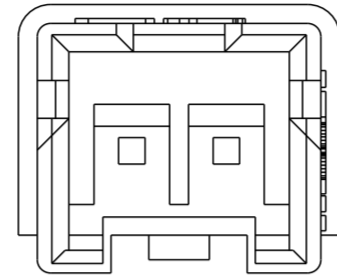
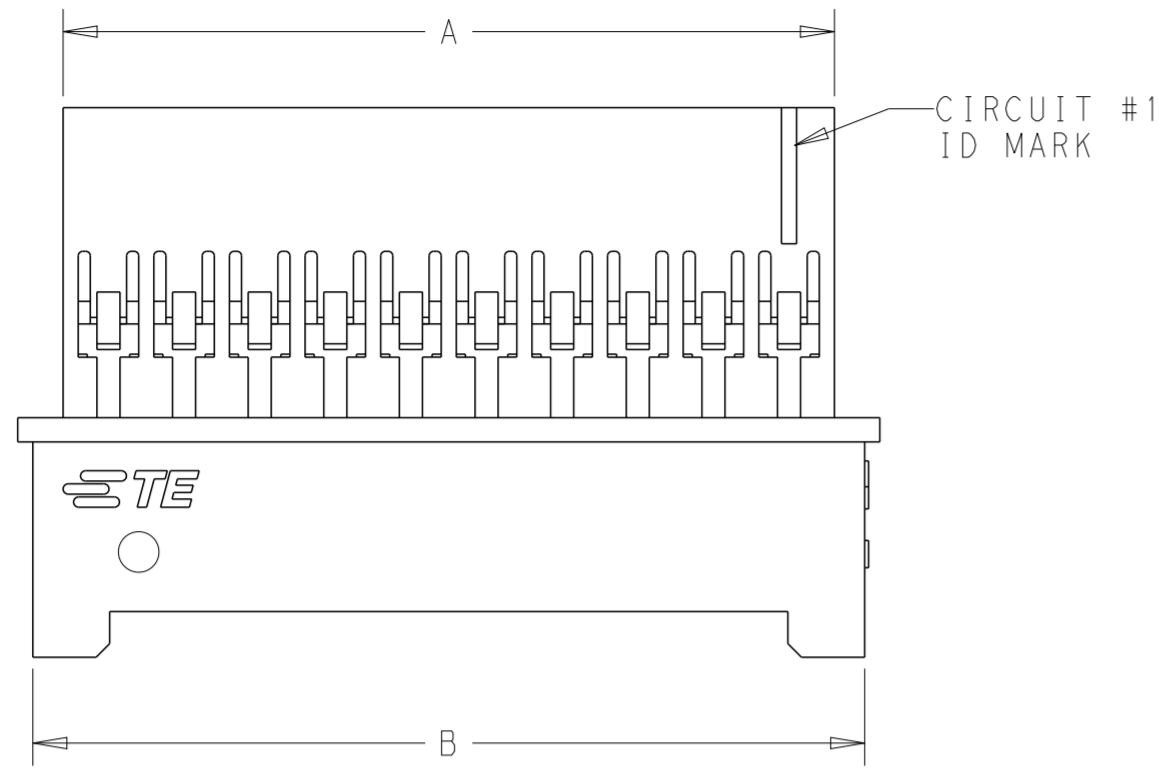
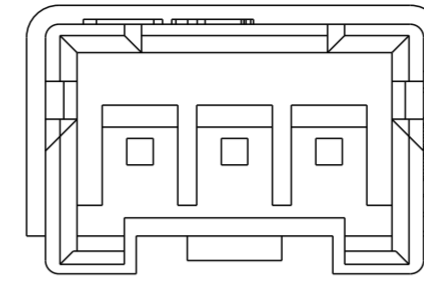


THIS DRAWING IS UNPUBLISHED. RELEASED FOR PUBLICATION
 © COPYRIGHT 20 BY - ALL RIGHTS RESERVED.

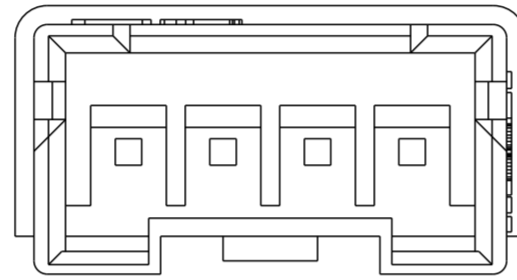
LOC		DIST		REVISIONS			
P	LTR	DESCRIPTION	DATE	DWN	APVD		
B1		RELEASED PER ECR-15-008087	29MAY2015	NK	JR		



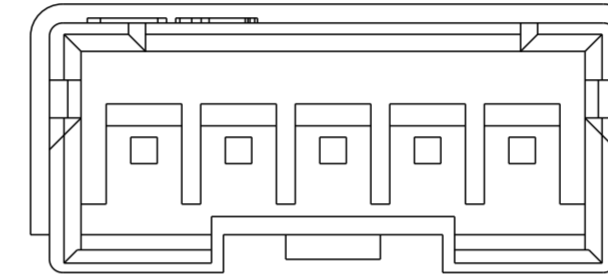
2 POSITION
1969589-2



3 POSITION
1969589-3

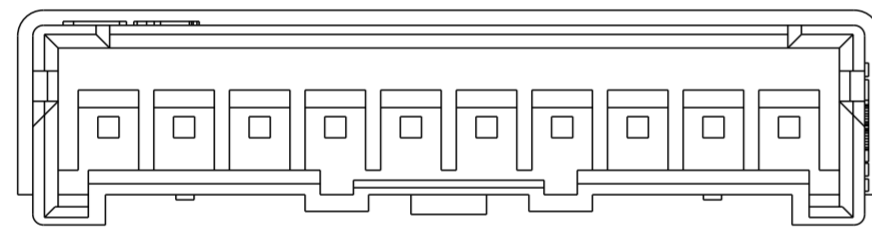


4 POSITION
1969589-4

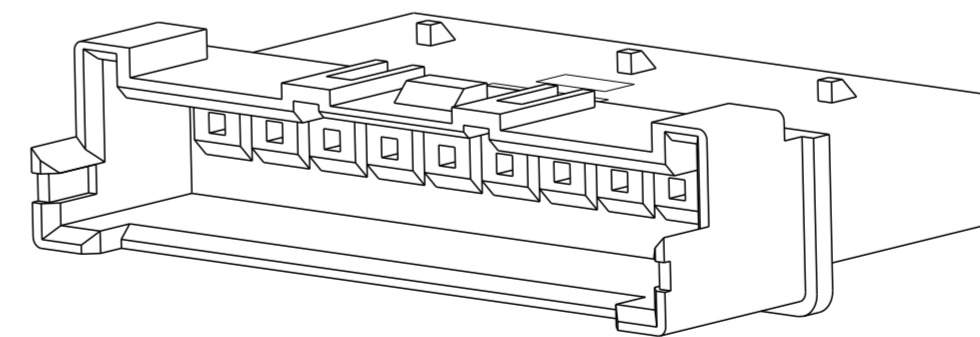
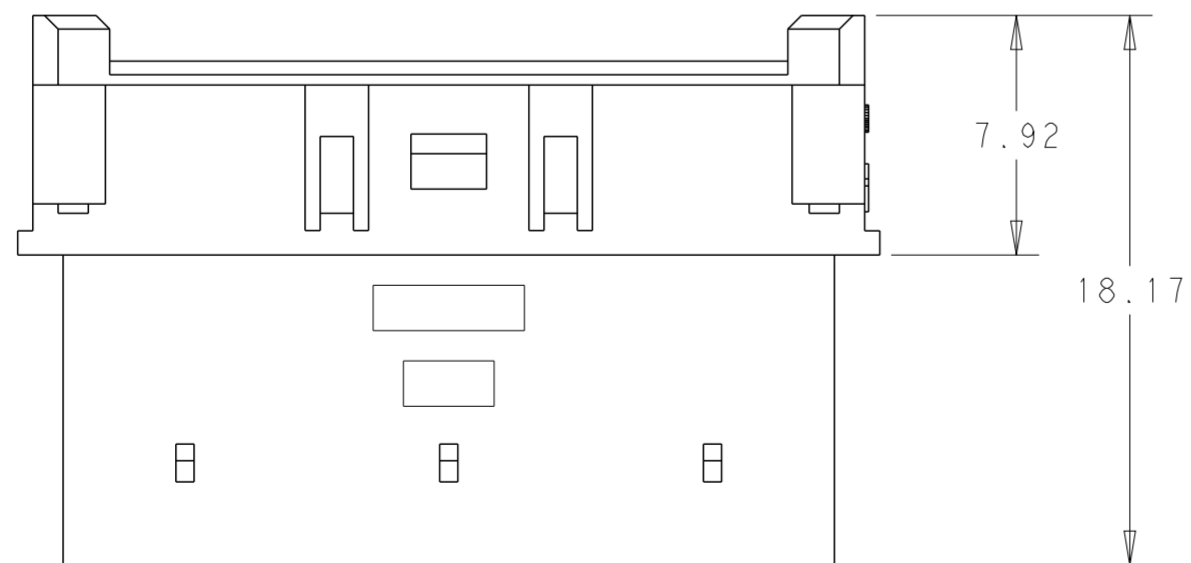
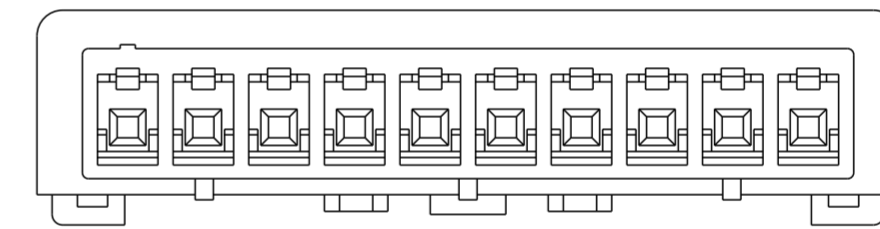
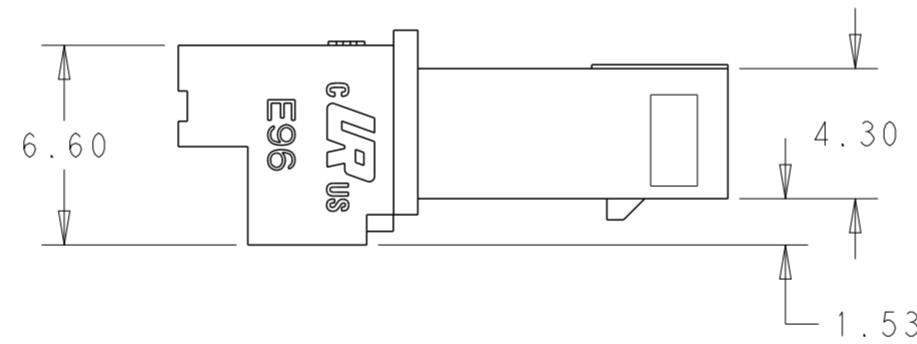


5 POSITION
1969589-5

1. MATERIAL: NYLON UL94V-0, FLAME RETARDANT, COLOR: NATURAL
2. PARTS TESTED TO IEC 60695-2-11 AND IS COMPLIANT TO IEC 60335-1.
3. HOUSING, MATERIAL MEETS MINIMUM GLOW WIRE FLAMMIBILITY INDEX OF 850°C PER IEC 60695-2-12 AND MINIMUM GLOW WIRE IGNITION TEMP OF 775°C PER IEC 60695-2-13.
4. ACCEPTS TE PIN CONTACTS P/N'S 2238007-()
5. HOUSING ACCEPTS OPTIONAL TPA P/N'S 1969443-()
6. MATES WITH TE PLUG HOUSINGS P/N'S 1744417-()



6 - 15 POSITION
1969589-6 TO 1-1969589-5



15	40.00	38.00	1-1969589-5
14	37.50	35.50	1-1969589-4
13	35.00	33.00	1-1969589-3
12	32.50	30.50	1-1969589-2
11	30.00	28.00	1-1969589-1
10	27.50	25.50	1-1969589-0
9	25.00	23.00	1969589-9
8	22.50	20.50	1969589-8
7	20.00	18.00	1969589-7
6	17.50	15.50	1969589-6
5	15.00	13.00	1969589-5
4	12.50	10.50	1969589-4
3	10.00	8.00	1969589-3
2	7.50	5.50	1969589-2
POS.	DIM.B	DIM.A	PART NO.

THIS DRAWING IS A CONTROLLED DOCUMENT.		DWN	A NOEL 030C2012	
DIMENSIONS:		CHK	-	
mm		APVD	-	
TOLERANCES UNLESS OTHERWISE SPECIFIED:		PRODUCT SPEC		
0 PLC	±	108-2418		
1 PLC	±	APPLICATION SPEC		
2 PLC	±0.20	114-13315		
3 PLC	±	WEIGHT		
4 PLC	±	-		
ANGLES	±	CUSTOMER DRAWING		
FINISH	±	SCALE 4:1 SHEET 1 OF 1 REV B1		
SEE NOTES	SEE NOTES	MATERIAL		

STE TE Connectivity

NAME: ECONOMY POWER 2.5, HOUSING WIRE TO WIRE, GLOW WIRE

SIZE: A2 CAGE CODE: 00779 DRAWING NO: C-1969589 RESTRICTED TO: -

X-ON Electronics

Largest Supplier of Electrical and Electronic Components

Click to view similar products for [Headers & Wire Housings](#) category:

Click to view products by [TE Connectivity](#) manufacturer:

Other Similar products are found below :

[892-18-020-10-001101](#) [58102-G61-06LF](#) [582553-1](#) [0009485154](#) [009176003701906](#) [0050291907](#) [LY20-4P-DT1-P1E-BR](#) [02.125.8002.8](#)
[609-3404](#) [61062-3](#) [61082-181009](#) [622-3653LF](#) [63453-116](#) [636-1030](#) [636-1427](#) [636-3427](#) [636-4007](#) [641938-9](#) [641991-4](#) [644827-2](#) [65817-](#)
[010LF](#) [65817-015LF](#) [65863-015LF](#) [66207-023LF](#) [67095-007LF](#) [67601157](#) [68645-018](#) [68648-049](#) [70.362.1628.0](#) [70-4210](#) [70-4226B](#) [70-](#)
[4853B](#) [707-5020](#) [707-5028](#) [71.350.2428.0](#) [71918-208LF](#) [71961-016LF](#) [733-134](#) [733-162](#) [754199-000](#) [760-3052](#) [79531-3000](#) [FCN-](#)
[360C032-B](#) [FCN-367T-T012/H](#) [FCN-723D010/2](#) [80.063.4001.1](#) [800-90-010-10-002000](#) [801-43-002-10-013000](#) [801-43-006-10-002000](#)
[801-93-011-10-001000](#)