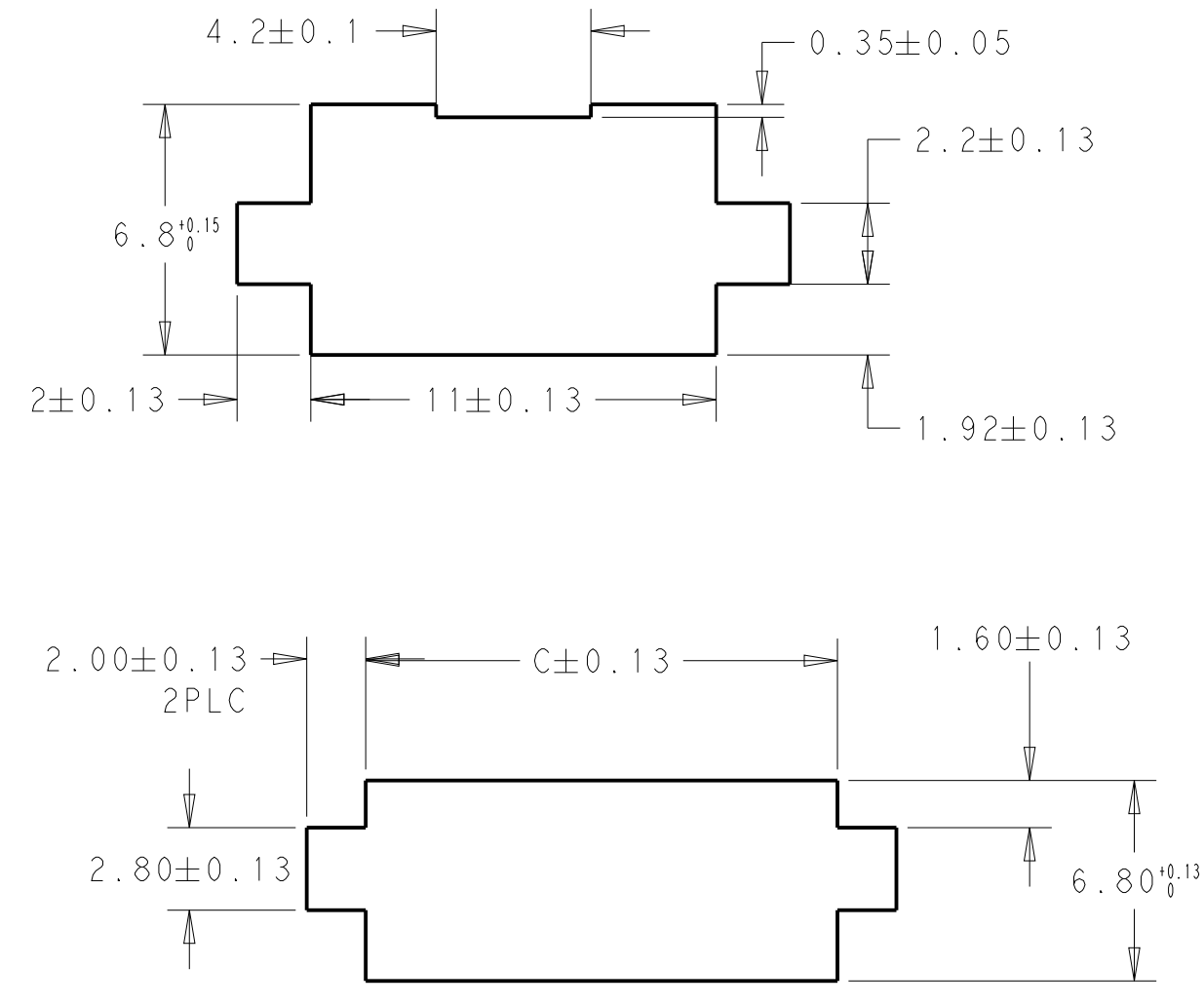
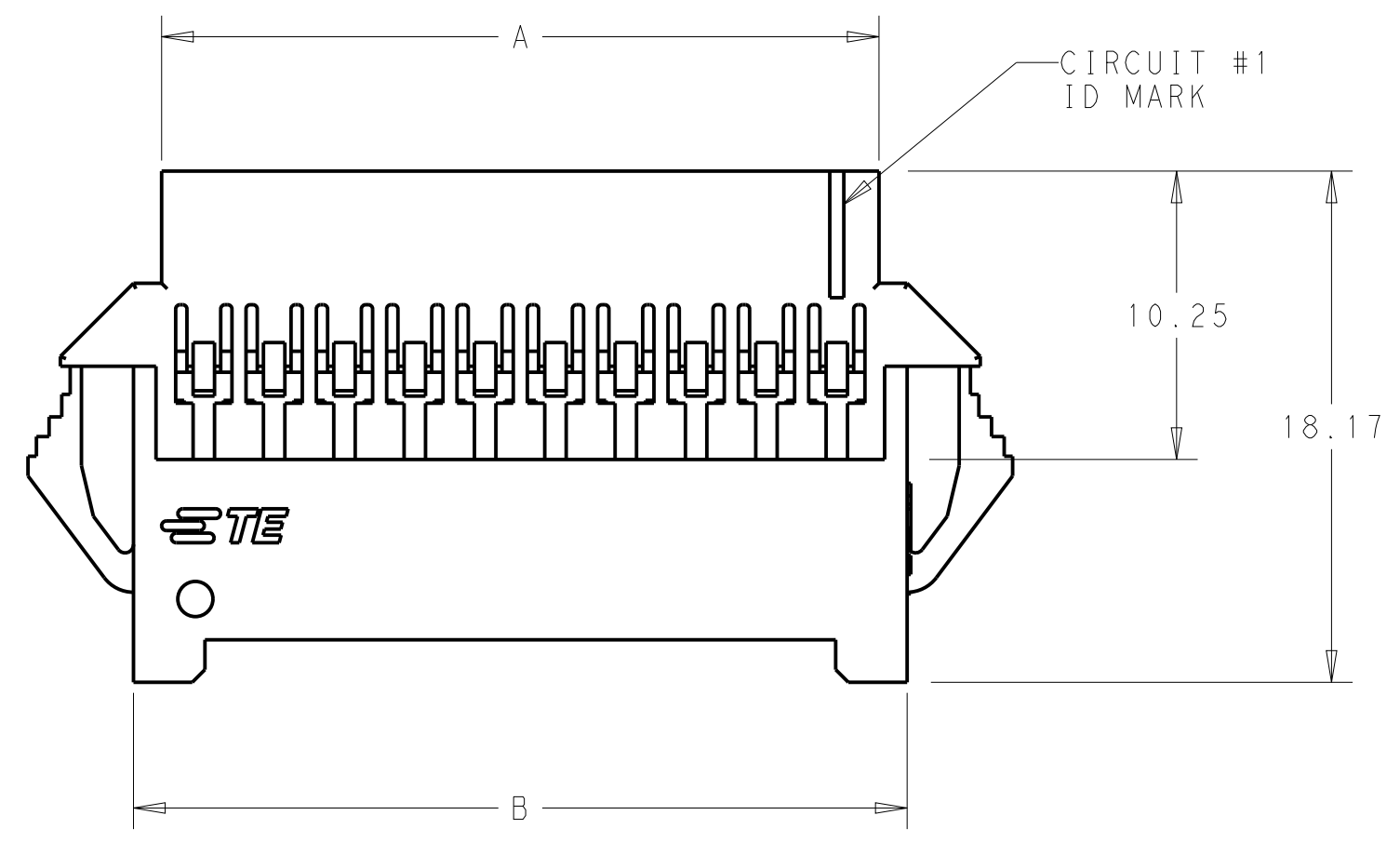
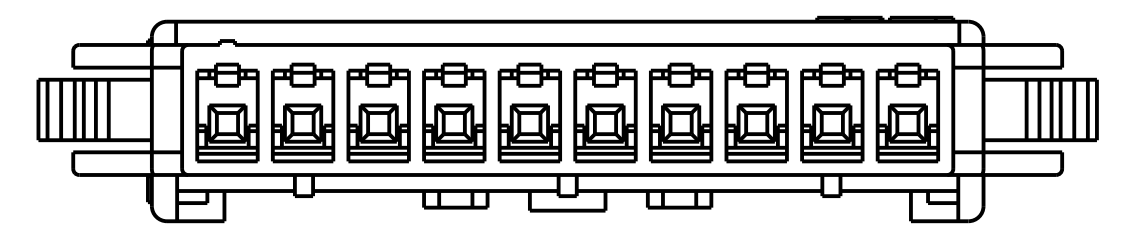
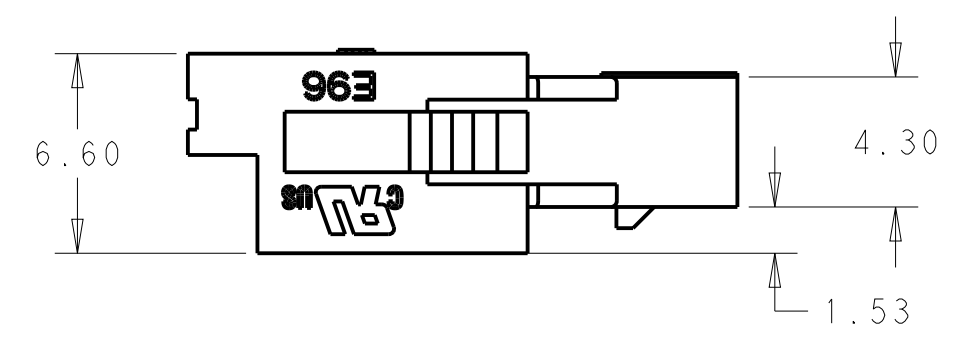
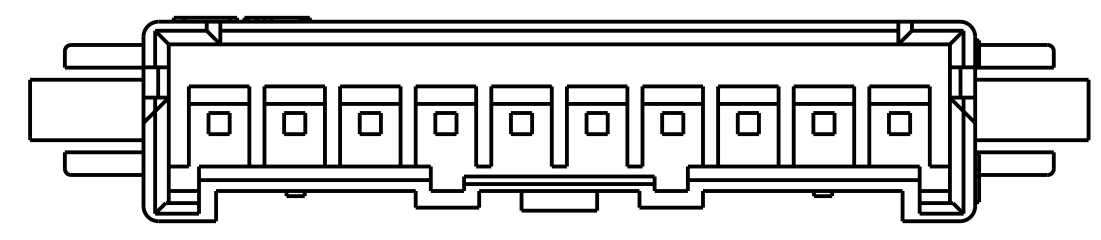


THIS DRAWING IS UNPUBLISHED. RELEASED FOR PUBLICATION 20
 © COPYRIGHT 20 BY - ALL RIGHTS RESERVED.

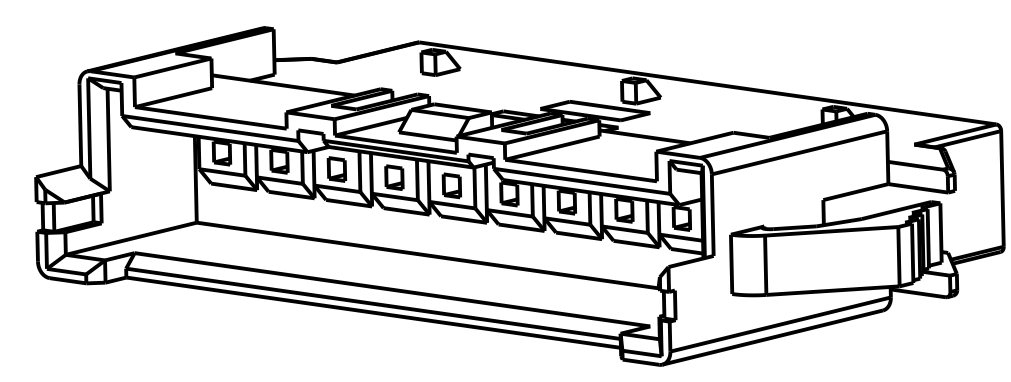
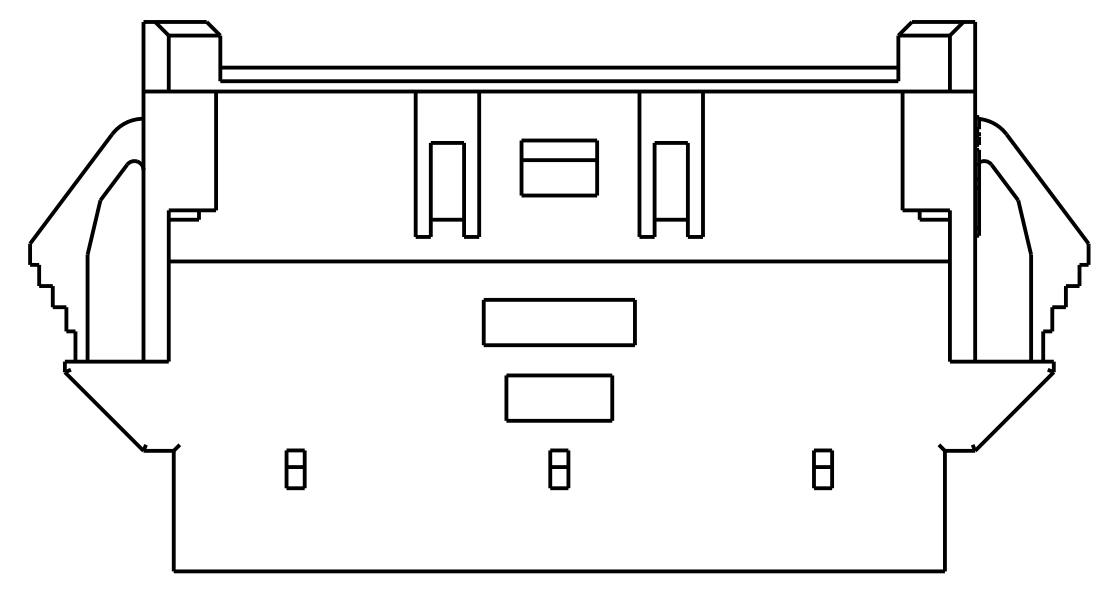
| REVISIONS | | | | | | | |
|-----------|------|----|-----|---------------------------|-----------|-----|------|
| LOC | DIST | P | LTR | DESCRIPTION | DATE | DWN | APVD |
| - | - | B2 | | REVISED PER ECR-21-101173 | 12APR2021 | SS | WH |



- 1. MATERIAL: NYLON UL94V-0, FLAME RETARDANT, COLOR: NATURAL
- 2. PARTS TESTED TO IEC 60695-2-11 AND IS COMPLIANT TO IEC 60335-1.
- 3. HOUSING, MATERIAL MEETS MINIMUM GLOW WIRE FLAMMABILITY INDEX OF 850°C PER IEC 60695-2-12 AND MINIMUM GLOW WIRE IGNITION TEMP OF 775°C PER IEC 60695-2-13.
- 4. ACCEPTS TE PIN CONTACTS P/N'S 2238007-()
- 5. HOUSING ACCEPTS OPTIONAL TPA P/N'S 1969443-()
- 6. MATES WITH TE PLUG HOUSINGS P/N'S 1744417-()



6 TO 15 POSITION
 1969591-6 TO 1-1969591-5



| POS | DIM.C | DIM.B | DIM.A | PART NO. |
|-----|-------|-------|-------|-------------|
| 15 | 41.00 | 40.00 | 38.00 | 1-1969591-5 |
| 14 | 38.50 | 37.50 | 35.50 | 1-1969591-4 |
| 13 | 34.00 | 35.00 | 33.00 | 1-1969591-3 |
| 12 | 33.50 | 32.50 | 30.50 | 1-1969591-2 |
| 11 | 31.00 | 30.00 | 28.00 | 1-1969591-1 |
| 10 | 28.50 | 27.50 | 25.50 | 1-1969591-0 |
| 9 | 26.00 | 25.00 | 23.00 | 1969591-9 |
| 8 | 23.50 | 22.50 | 20.50 | 1969591-8 |
| 7 | 21.00 | 20.00 | 18.00 | 1969591-7 |
| 6 | 18.50 | 17.50 | 15.50 | 1969591-6 |
| 5 | 16.00 | 15.00 | 13.00 | 1969591-5 |
| 4 | 13.50 | 12.50 | 10.50 | 1969591-4 |
| 3 | 11.00 | 10.00 | 8.00 | 1969591-3 |
| 2 | 8.50 | 7.50 | 5.50 | 1969591-2 |

THIS DRAWING IS A CONTROLLED DOCUMENT. DWN: A, NOEL, 03OCT2012
 CHK: -
 APVD: -

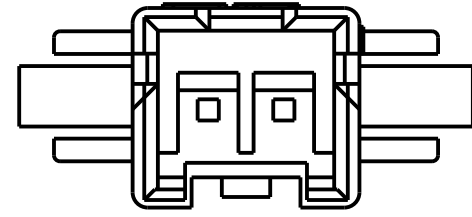
| | | | |
|----------------|---|--|--|
| DIMENSIONS: mm | TOLERANCES UNLESS OTHERWISE SPECIFIED: 0 PLC ± 1 PLC ± 2 PLC ±0.20 3 PLC ± 4 PLC ± ANGLES ± FINISH | PRODUCT SPEC: 108-2418 APPLICATION SPEC: 114-13315 WEIGHT: - | NAME: ECONOMY POWER 2.5, HOUSING WIRE TO WIRE, PANEL MOUNT, GLOW WIRE SIZE: A2 CAGE CODE: 00779 DRAWING NO: C-1969591 |
|----------------|---|--|--|

MATERIAL: Customer Drawing
 SCALE: N/A SHEET 1 OF 2 REV B2

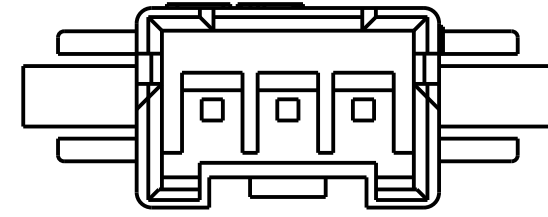
THIS DRAWING IS UNPUBLISHED. RELEASED FOR PUBLICATION 20
 © COPYRIGHT 20 BY - ALL RIGHTS RESERVED.

| LOC | | DIST | | REVISIONS | | | |
|-----|-----|-------------|------|-----------|------|--|--|
| P | LTR | DESCRIPTION | DATE | DWN | APVD | | |
| - | - | SEE SHEET 1 | - | - | - | | |
| | | | | | | | |
| | | | | | | | |

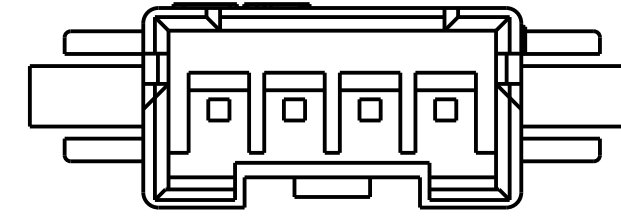
2 POSITION
1969591-2



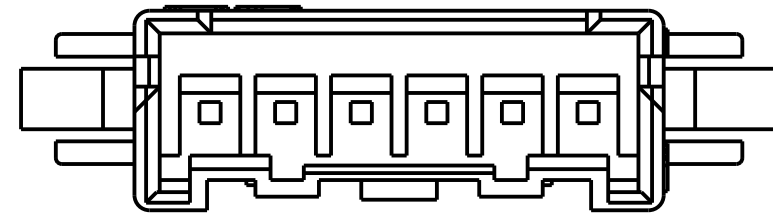
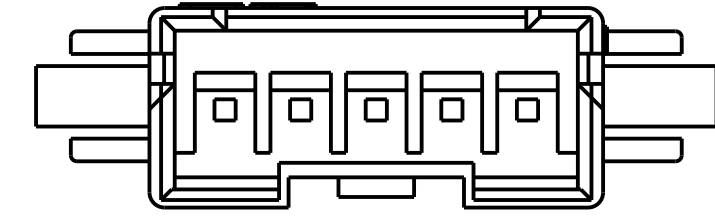
3 POSITION
1969591-3




4 POSITION
1969591-4



5 POSITION
1969591-5



6 - 15 POSITION
1969591-6 TO 1-1969591-5

| | | | | |
|--|--|-------------------------------|---|-------------------------|
| THIS DRAWING IS A CONTROLLED DOCUMENT. | | DWN A. NOEL 03OCT2012 |  TE Connectivity | |
| DIMENSIONS: mm | | CHK - | | |
| TOLERANCES UNLESS OTHERWISE SPECIFIED: | | APVD - | NAME ECONOMY POWER 2.5, HOUSING WIRE TO WIRE, PANEL MOUNT, GLOW GLOW WIRE | |
| 0 PLC ±- 1 PLC ±- 2 PLC ±0.20 3 PLC ±- 4 PLC ±- ANGLES ±- FINISH | | PRODUCT SPEC 108-2418 | RESTRICTED TO - | |
| MATERIAL 1 | | APPLICATION SPEC 114-13315 | SIZE A200779 | DRAWING NO C-1969591 |
| | | WEIGHT - | SCALE N/A | SHEET 2 OF 2 |
| | | Customer Drawing | REV B2 | |

X-ON Electronics

Largest Supplier of Electrical and Electronic Components

Click to view similar products for [Headers & Wire Housings](#) category:

Click to view products by [TE Connectivity](#) manufacturer:

Other Similar products are found below :

[892-18-020-10-001101](#) [58102-G61-06LF](#) [582553-1](#) [0009485154](#) [009176003701906](#) [0050291907](#) [LY20-4P-DT1-P1E-BR](#) [02.125.8002.8](#)
[609-3404](#) [61062-3](#) [61082-181009](#) [622-3653LF](#) [63453-116](#) [636-1030](#) [636-1427](#) [636-3427](#) [636-4007](#) [641938-9](#) [641991-4](#) [644827-2](#) [65817-](#)
[010LF](#) [65817-015LF](#) [65863-015LF](#) [66207-023LF](#) [67095-007LF](#) [67601157](#) [68645-018](#) [68648-049](#) [70.362.1628.0](#) [70-4210](#) [70-4226B](#) [70-](#)
[4853B](#) [707-5020](#) [707-5028](#) [71.350.2428.0](#) [71918-208LF](#) [71961-016LF](#) [733-134](#) [733-162](#) [754199-000](#) [760-3052](#) [787-8014-00](#) [79531-3000](#)
[FCN-360C032-B](#) [FCN-367T-T012/H](#) [FCN-723D010/2](#) [80.063.4001.1](#) [800-90-001-10-001000](#) [800-90-010-10-002000](#) [801-43-002-10-013000](#)