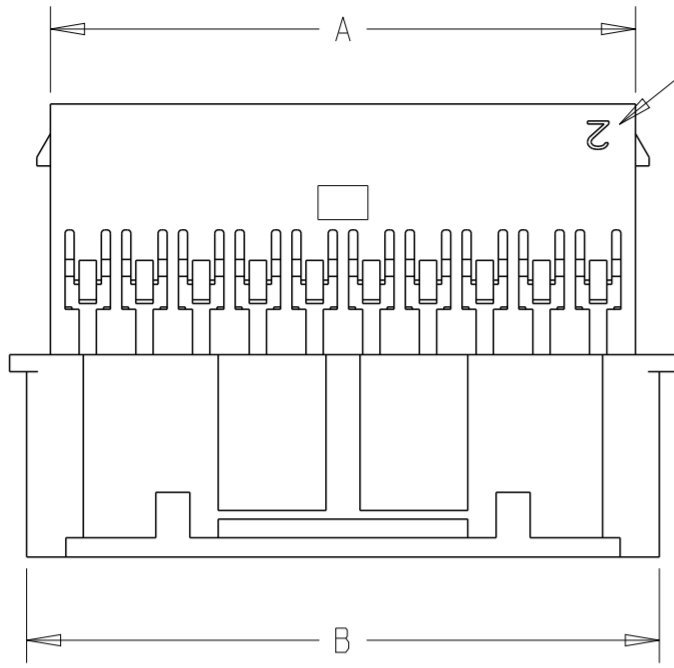
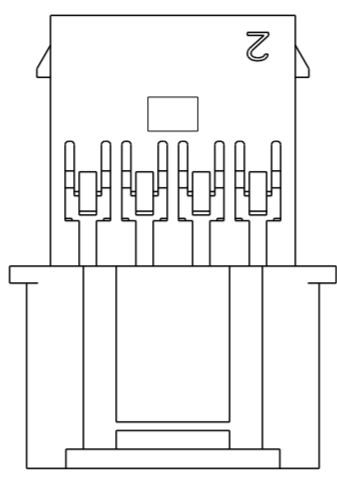


THIS DRAWING IS UNPUBLISHED. RELEASED FOR PUBLICATION 20  
 © COPYRIGHT 20 BY - ALL RIGHTS RESERVED.

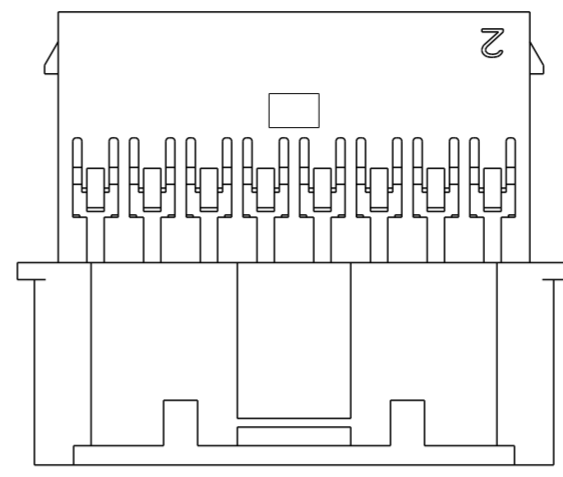
| LOC |     | DIST                      |  | REVISIONS |     |      |  |
|-----|-----|---------------------------|--|-----------|-----|------|--|
| P   | LTR | DESCRIPTION               |  | DATE      | DWN | APVD |  |
|     | B   | REVISED PER ECR-15-006219 |  | 30APR2015 | NK  | JR   |  |



CIRCUIT #2



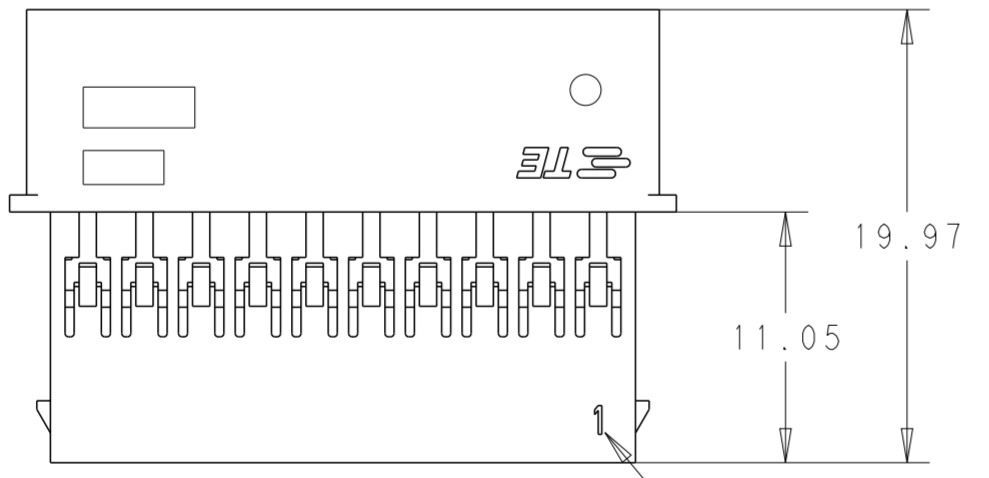
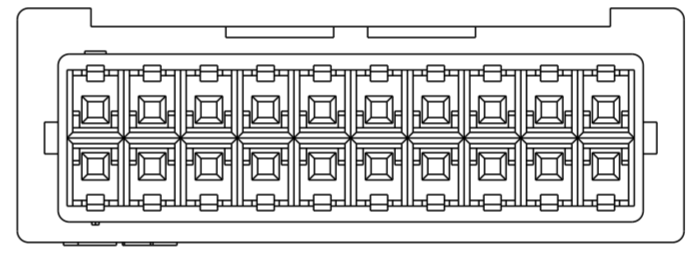
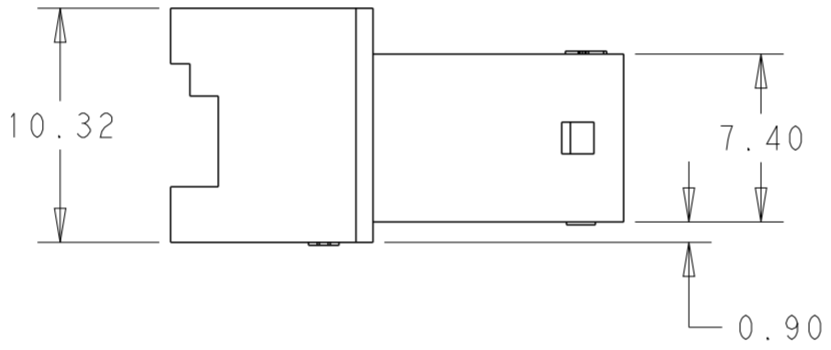
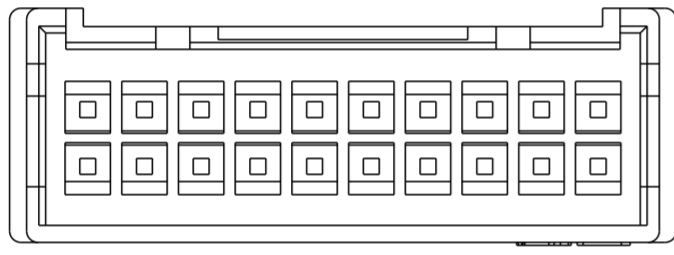
1969593-8 & 1-1969593-0  
SINGLE LATCH W/O CUTOUTS



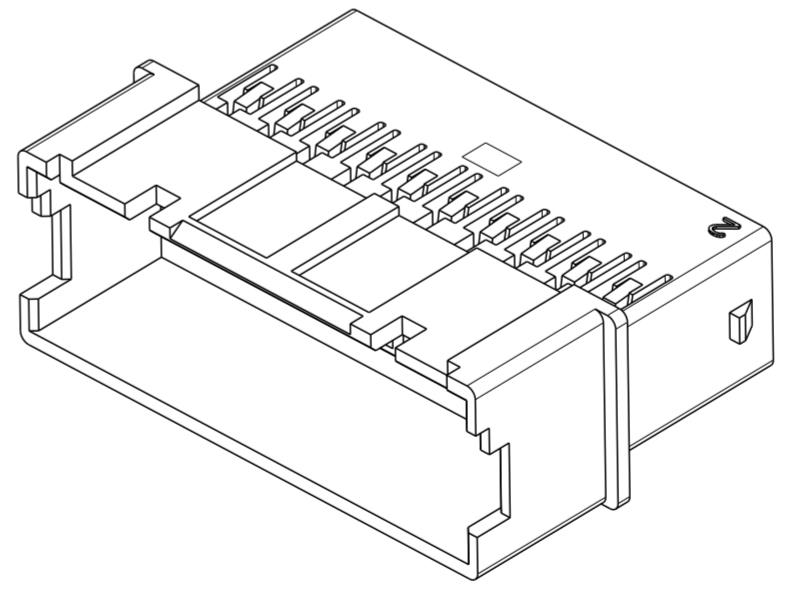
1-1969593-2, 1-1969593-4 & 1-1969593-6  
SINGLE LATCH W/ CUTOUTS

1-1969593-8 THROUGH 4-1969593-0  
DOUBLE LATCH

- MATERIAL: NYLON UL94V-0, FLAME RETARDANT, COLOR: NATURAL
- PARTS TESTED TO IEC 60695-2-11 AND IS COMPLIANT TO IEC 60335-1.
- HOUSING, MATERIAL MEETS MINIMUM GLOW WIRE FLAMMABILITY INDEX OF 850°C PER IEC 60695-2-12 AND MINIMUM GLOW WIRE IGNITION TEMP OF 775°C PER IEC 60695-2-13.
- ACCEPTS TE PIN CONTACTS P/N'S 2238007-( ) & 2238008-( )
- HOUSING ACCEPTS OPTIONAL TPA P/N'S 1969541-( )
- MATES WITH TE PLUG HOUSINGS P/N'S 1969567-( )



CIRCUIT #1



|     |       |       |             |
|-----|-------|-------|-------------|
| 40  | 52.89 | 50.79 | 4-1969593-0 |
| 38  | 50.39 | 48.29 | 3-1969593-8 |
| 36  | 47.89 | 45.79 | 3-1969593-6 |
| 34  | 45.39 | 43.29 | 3-1969593-4 |
| 32  | 42.89 | 40.79 | 3-1969593-2 |
| 30  | 40.39 | 38.29 | 3-1969593-0 |
| 28  | 37.89 | 35.79 | 2-1969593-8 |
| 26  | 35.39 | 33.29 | 2-1969593-6 |
| 24  | 32.89 | 30.79 | 2-1969593-4 |
| 22  | 30.39 | 28.29 | 2-1969593-2 |
| 20  | 27.89 | 25.79 | 2-1969593-0 |
| 18  | 25.39 | 23.29 | 1-1969593-8 |
| 16  | 22.89 | 20.79 | 1-1969593-6 |
| 14  | 20.39 | 18.29 | 1-1969593-4 |
| 12  | 17.89 | 15.79 | 1-1969593-2 |
| 10  | 15.39 | 13.29 | 1-1969593-0 |
| 8   | 12.89 | 10.79 | 1969593-8   |
| POS | DIM.B | DIM.A | PART NO.    |

THIS DRAWING IS A CONTROLLED DOCUMENT.

DWN: A, NOEL, 03OCT2012  
 CHK: -  
 APVD: -

DIMENSIONS: mm  
 TOLERANCES UNLESS OTHERWISE SPECIFIED:  
 0 PLC ±  
 1 PLC ±  
 2 PLC ±0.25  
 3 PLC ±  
 4 PLC ±  
 ANGLES ±  
 FINISH

MATERIAL: SEE NOTES  
 SEE NOTES

PRODUCT SPEC: 108-2418  
 APPLICATION SPEC: 114-13315  
 WEIGHT: -

Customer Drawing

SCALE: 3:1  
 SHEET: 1 OF 1  
 REV: B

TE Connectivity  
 NAME: EP 2.5 DUAL ROW, RECEPTACLE HSG WIRE TO WIRE, GLOW WIRE  
 SIZE: A2  
 CAGE CODE: 00779  
 DRAWING NO: C-1969593  
 RESTRICTED TO: -

## X-ON Electronics

Largest Supplier of Electrical and Electronic Components

*Click to view similar products for [Headers & Wire Housings](#) category:*

*Click to view products by [TE Connectivity](#) manufacturer:*

Other Similar products are found below :

[892-18-020-10-001101](#) [58102-G61-06LF](#) [582553-1](#) [0009485154](#) [009176003701906](#) [0050291907](#) [LY20-4P-DT1-P1E-BR](#) [02.125.8002.8](#)  
[609-3404](#) [61062-3](#) [61082-181009](#) [622-3653LF](#) [63453-116](#) [636-1030](#) [636-1427](#) [636-3427](#) [636-4007](#) [641938-9](#) [641991-4](#) [644827-2](#) [65817-](#)  
[010LF](#) [65817-015LF](#) [65863-015LF](#) [66207-023LF](#) [67095-007LF](#) [67601157](#) [68645-018](#) [68648-049](#) [70.362.1628.0](#) [70-4210](#) [70-4226B](#) [70-](#)  
[4853B](#) [707-5020](#) [707-5028](#) [71.350.2428.0](#) [71918-208LF](#) [71961-016LF](#) [733-134](#) [733-162](#) [754199-000](#) [760-3052](#) [79531-3000](#) [FCN-](#)  
[360C032-B](#) [FCN-367T-T012/H](#) [FCN-723D010/2](#) [80.063.4001.1](#) [800-90-001-10-001000](#) [800-90-010-10-002000](#) [801-43-002-10-013000](#)  
[801-43-006-10-002000](#)