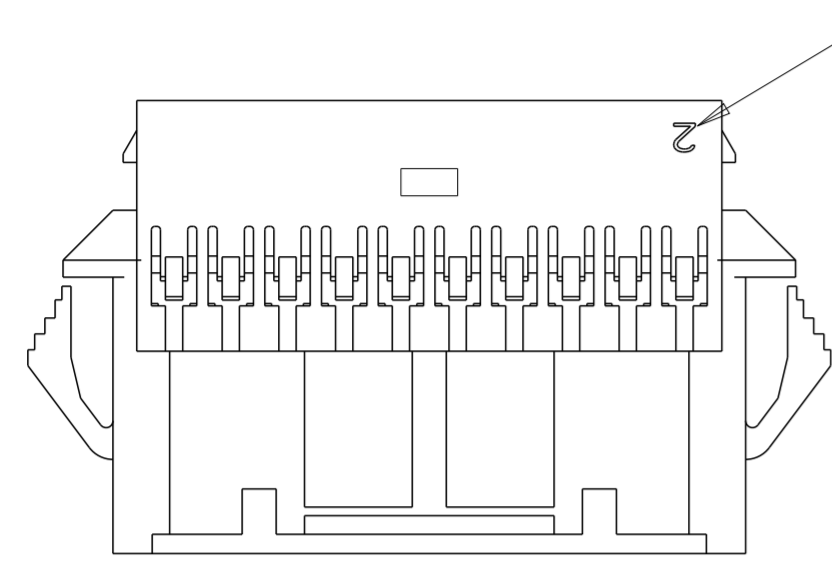


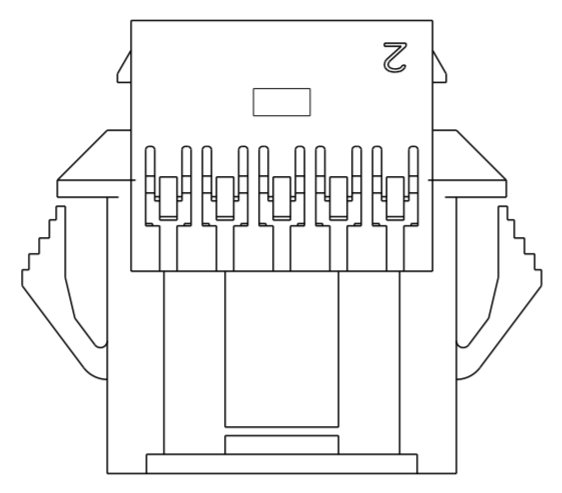
THIS DRAWING IS UNPUBLISHED. RELEASED FOR PUBLICATION 20
 © COPYRIGHT 20 BY - ALL RIGHTS RESERVED.

| LOC | | DIST | | REVISIONS | | | |
|-----|-----|---------------------------|--|-----------|-----|------|--|
| P | LTR | DESCRIPTION | | DATE | DWN | APVD | |
| | B | REVISED PER ECR-15-006219 | | 30APR2015 | NK | JR | |
| | | | | | | | |
| | | | | | | | |

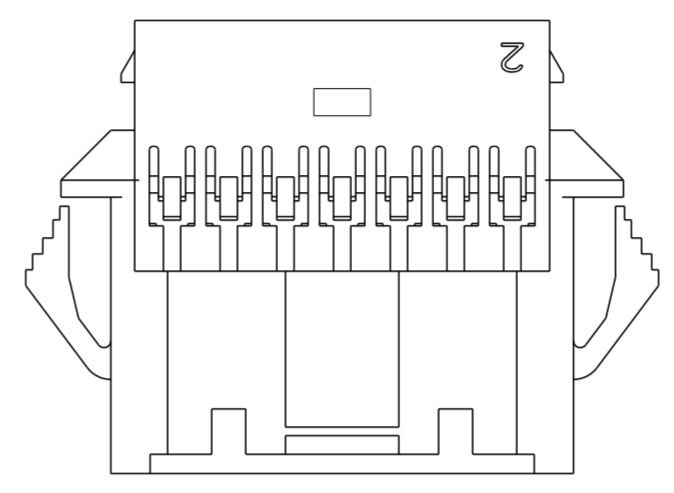
1. MATERIAL: NYLON UL94V-0, FLAME RETARDANT, COLOR: NATURAL
2. PARTS TESTED TO IEC 60695-2-11 AND IS COMPLIANT TO IEC 60335-1.
3. HOUSING, MATERIAL MEETS MINIMUM GLOW WIRE FLAMMABILITY INDEX OF 850°C PER IEC 60695-2-12 AND MINIMUM GLOW WIRE IGNITION TEMP OF 775°C PER IEC 60695-2-13.
4. ACCEPTS TE PIN CONTACTS P/N'S 2238007-()
5. HOUSING ACCEPTS OPTIONAL TPA P/N'S 1969541-()
6. MATES WITH TE PLUG HOUSINGS P/N'S 1969567-()



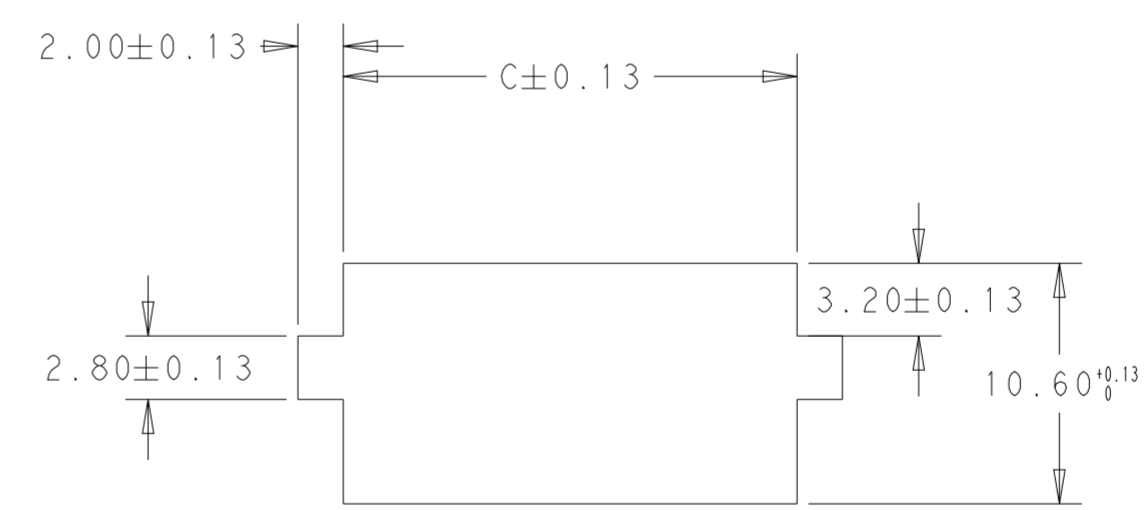
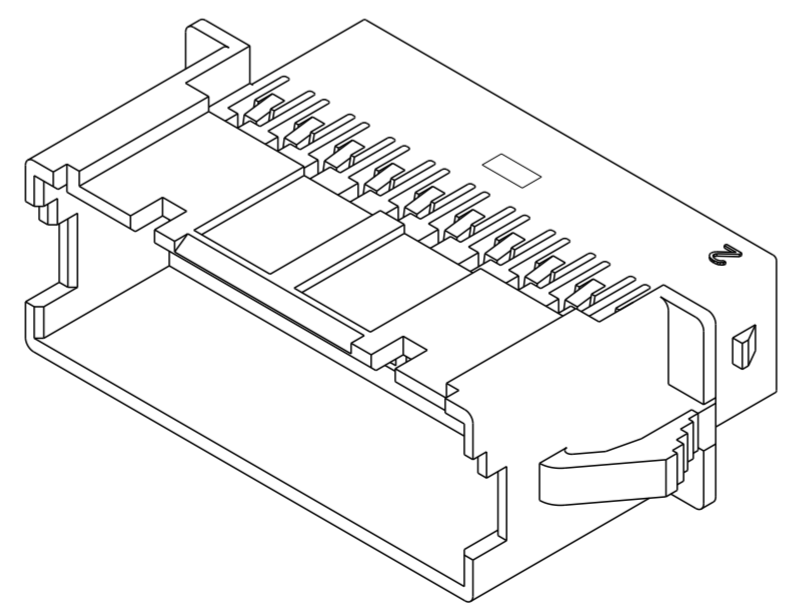
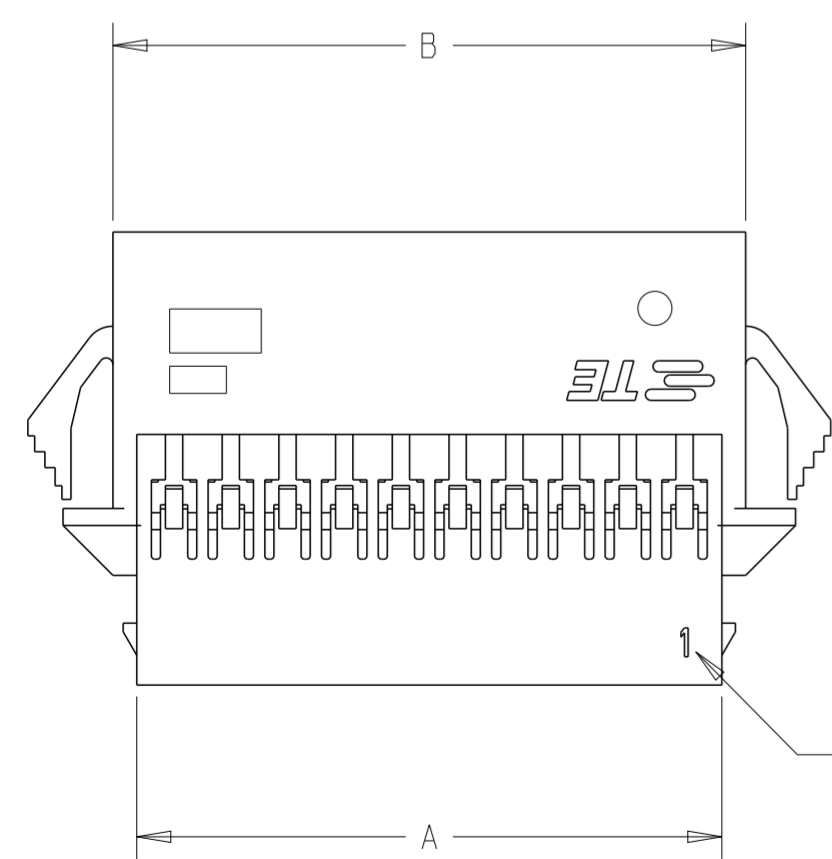
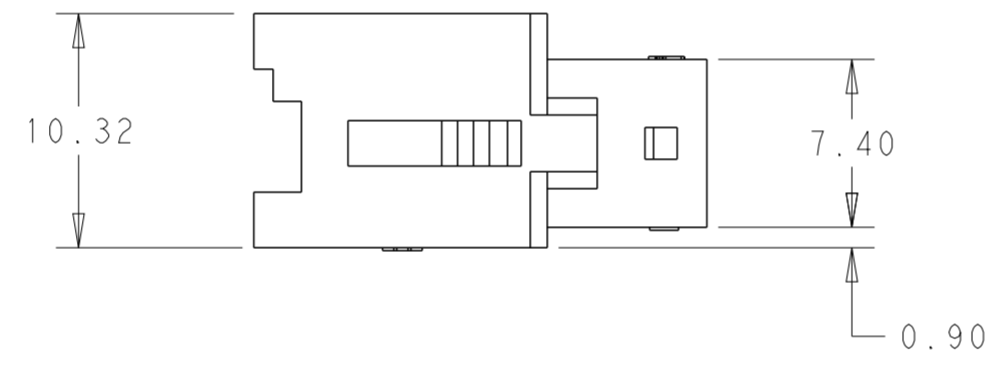
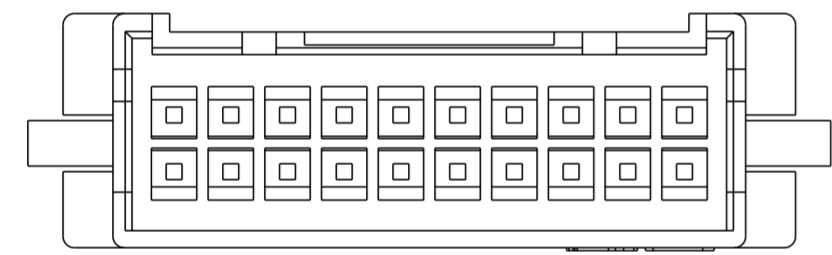
1-1969595-8 THROUGH 4-1969595-0
DOUBLE LATCH



1969595-8 & 1-1969595-0
SINGLE LATCH W/O CUTOUTS



1-1969595-2, 1-1969595-4 & 1-1969595-6
SINGLE LATCH W/ CUTOUTS



RECOMMENDED PANEL CUTOUT DIMENSIONS

| POS | DIM.C | DIM.B | DIM.A | PART NO. |
|-----|-------|-------|-------|-------------|
| 40 | 54.50 | 52.89 | 50.79 | 4-1969595-0 |
| 38 | 52.00 | 50.39 | 48.29 | 3-1969595-8 |
| 36 | 49.50 | 47.89 | 45.79 | 3-1969595-6 |
| 34 | 47.00 | 45.39 | 43.29 | 3-1969595-4 |
| 32 | 44.50 | 42.89 | 40.79 | 3-1969595-2 |
| 30 | 42.00 | 40.39 | 38.29 | 3-1969595-0 |
| 28 | 39.50 | 37.89 | 35.79 | 2-1969595-8 |
| 26 | 37.00 | 35.39 | 33.29 | 2-1969595-6 |
| 24 | 34.50 | 32.89 | 30.79 | 2-1969595-4 |
| 22 | 32.00 | 30.39 | 28.29 | 2-1969595-2 |
| 20 | 29.50 | 27.89 | 25.79 | 2-1969595-0 |
| 18 | 27.00 | 25.39 | 23.29 | 1-1969595-8 |
| 16 | 24.50 | 22.89 | 20.79 | 1-1969595-6 |
| 14 | 22.00 | 20.39 | 18.29 | 1-1969595-4 |
| 12 | 19.50 | 17.89 | 15.79 | 1-1969595-2 |
| 10 | 17.00 | 15.39 | 13.29 | 1-1969595-0 |
| 8 | 14.50 | 12.89 | 10.79 | 1969595-8 |

THIS DRAWING IS A CONTROLLED DOCUMENT. DWN: A, NOEL, 03OCT2012
 CHK: -
 APVD: -

STE TE Connectivity

NAME: EP 2.5 DUAL ROW, RECEPTACLE HSG WIRE TO WIRE, PANEL MOUNT GLOW WIRE

PRODUCT SPEC: 108-2418
 APPLICATION SPEC: 114-13315

SIZE: A2, CAGE CODE: 00779, DRAWING NO: C-1969595, RESTRICTED TO: -

MATERIAL: SEE NOTES
 TOLERANCES UNLESS OTHERWISE SPECIFIED:
 0 PLC ±
 1 PLC ±
 2 PLC ±0.20
 3 PLC ±
 4 PLC ±
 ANGLES ±
 FINISH ±

WEIGHT: -
 Customer Drawing
 SCALE: 3:1, SHEET 1 OF 1, REV B

X-ON Electronics

Largest Supplier of Electrical and Electronic Components

Click to view similar products for [Headers & Wire Housings](#) category:

Click to view products by [TE Connectivity](#) manufacturer:

Other Similar products are found below :

[892-18-020-10-001101](#) [58102-G61-06LF](#) [582553-1](#) [0009485154](#) [009176003701906](#) [0050291907](#) [LY20-4P-DT1-P1E-BR](#) [02.125.8002.8](#)
[609-3404](#) [61062-3](#) [61082-181009](#) [622-3653LF](#) [63453-116](#) [636-1030](#) [636-1427](#) [636-3427](#) [636-4007](#) [641938-9](#) [641991-4](#) [644827-2](#) [65817-010LF](#) [65817-015LF](#) [65863-015LF](#) [66207-023LF](#) [67095-007LF](#) [67601157](#) [68645-018](#) [68648-049](#) [70.362.1628.0](#) [70-4210](#) [70-4226B](#) [70-4853B](#) [707-5020](#) [707-5028](#) [71.350.2428.0](#) [71918-208LF](#) [71961-016LF](#) [733-134](#) [733-162](#) [754199-000](#) [760-3052](#) [787-8014-00](#) [79531-3000](#)
[FCN-360C032-B](#) [FCN-367T-T012/H](#) [FCN-723D010/2](#) [80.063.4001.1](#) [800-90-001-10-001000](#) [800-90-010-10-002000](#) [801-43-002-10-013000](#)