

4

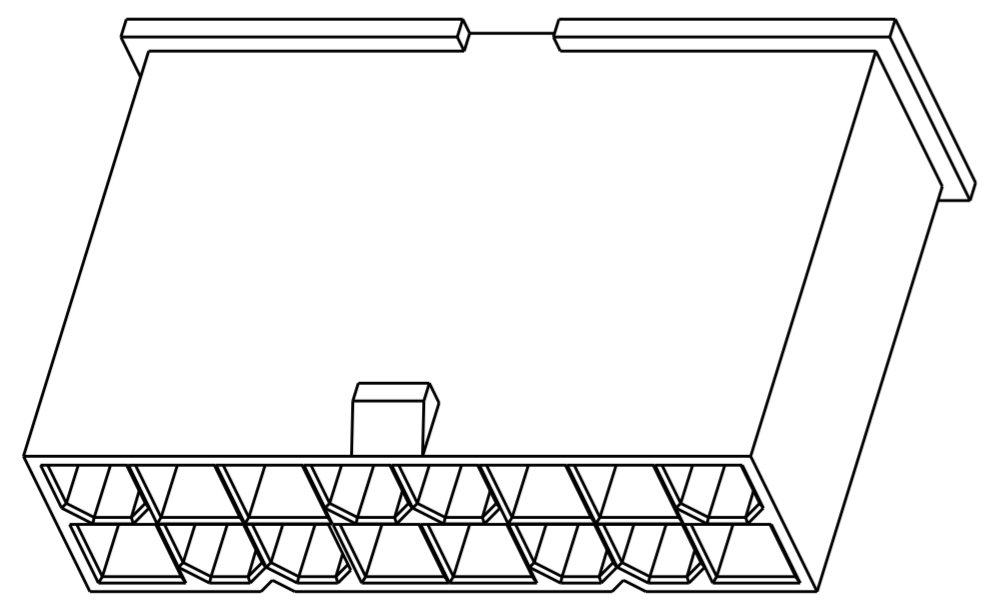
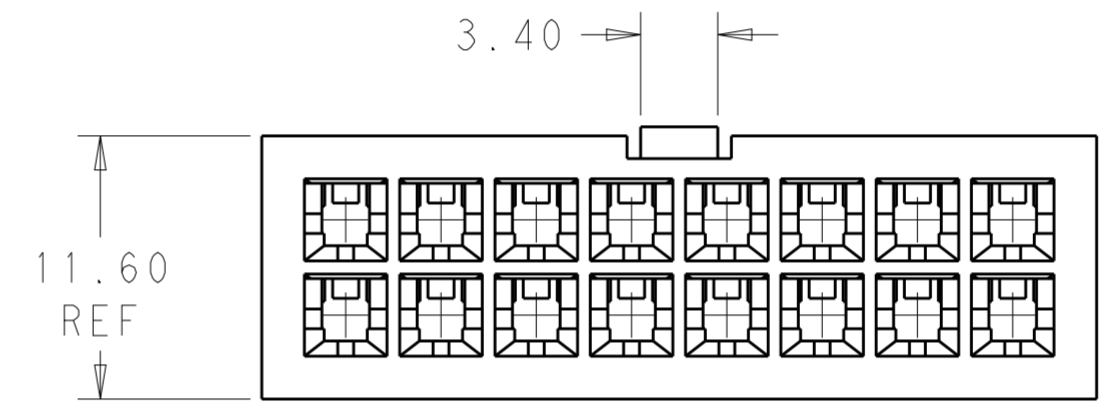
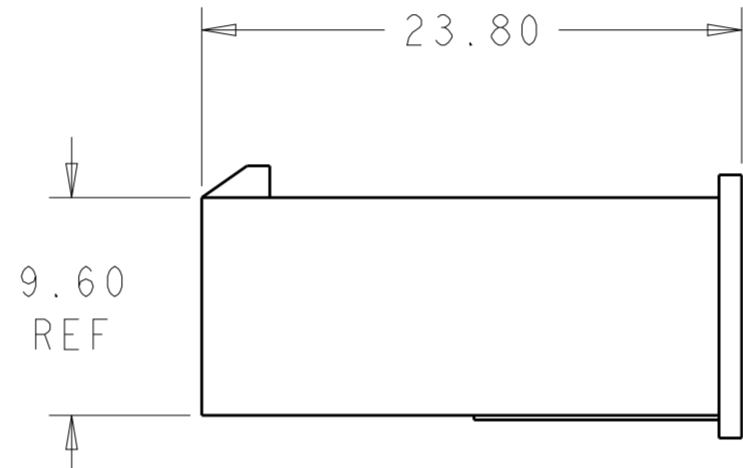
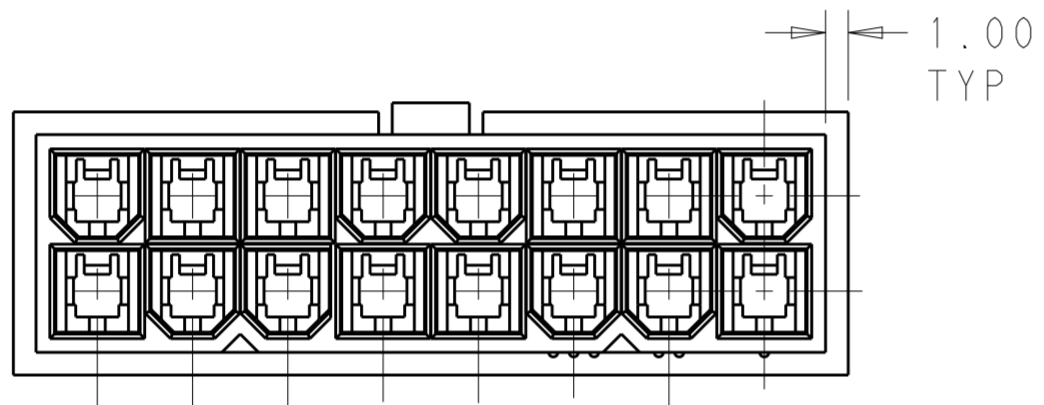
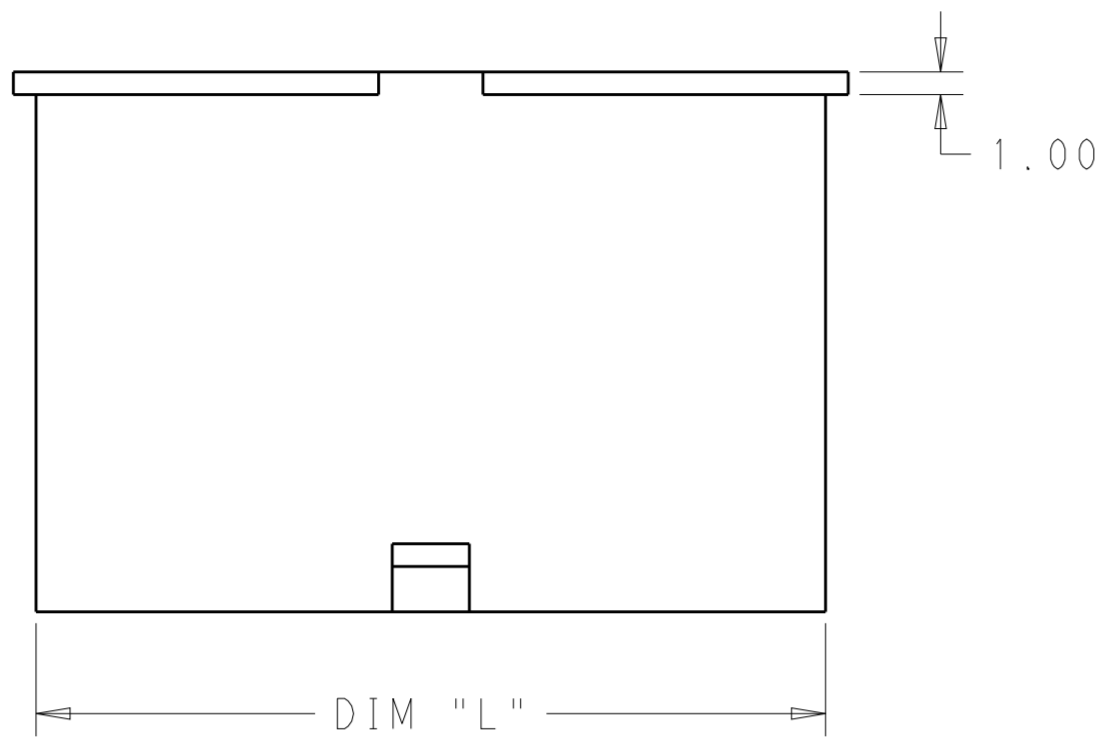
3

2

1

THIS DRAWING IS UNPUBLISHED. RELEASED FOR PUBLICATION 20  
 © COPYRIGHT 20 BY - ALL RIGHTS RESERVED.

| LOC | DIST | REVISIONS   |                           |           |       |
|-----|------|-------------|---------------------------|-----------|-------|
| P   | LTR  | DESCRIPTION | DATE                      | DWN       | APVD  |
| AF  | -    | A           | REVISED PER ECR-13-018775 | 11DEC2013 | KH KR |
|     |      |             |                           |           |       |
|     |      |             |                           |           |       |



|       |            |             |
|-------|------------|-------------|
| 51.60 | 24         | 2-1969598-4 |
| 47.40 | 22         | 2-1969598-2 |
| 43.20 | 20         | 2-1969598-0 |
| 39.00 | 18         | 1-1969598-8 |
| 34.80 | 16         | 1-1969598-6 |
| 30.60 | 14         | 1-1969598-4 |
| 26.40 | 12         | 1-1969598-2 |
| 22.20 | 10         | 1-1969598-0 |
| 18.00 | 8          | 1969598-8   |
| 13.80 | 6          | 1969598-6   |
| 9.60  | 4          | 1969598-4   |
| 5.40  | 2          | 1969598-2   |
| DIM L | NO. OF POS | PART NO.    |

|   |               |                  |               |           |                     |                        |   |
|---|---------------|------------------|---------------|-----------|---------------------|------------------------|---|
| THIS DRAWING IS A CONTROLLED DOCUMENT.                              |               | DWN              | JR RUTH       | 12DEC2012 | <br>TE Connectivity |                        |   |
| DIMENSIONS:   |               | CHK              | KURT RANDOLPH | 12DEC2012 |                     |                        |   |
| TOLERANCES UNLESS OTHERWISE SPECIFIED:                              |               | APVD             | KURT RANDOLPH | 12DEC2012 |                     |                        |   |
| mm  |               | PRODUCT SPEC     |               |           |                     |                        |   |
| 0 PLC ±<br>1 PLC ±<br>2 PLC ±0.25<br>3 PLC ±<br>4 PLC ±<br>ANGLES ± |               | APPLICATION SPEC |               |           | NAME                | PLUG HOUSING VAL-U-LOK |   |
| MATERIAL  | NYLON 6/6, V2 | WEIGHT           |               |           | SIZE                | A200779                |   |
| FINISH  |               | Customer Drawing |               |           | CAGE CODE           | C-1969598              |   |
| COLOR-NATURAL   |               | SCALE            | 3:1           | SHEET     | 1                   | OF                     | 1 |
|   |               | REV              | A             |           |                     |                        |   |

## X-ON Electronics

Largest Supplier of Electrical and Electronic Components

*Click to view similar products for [Headers & Wire Housings](#) category:*

*Click to view products by [TE Connectivity](#) manufacturer:*

Other Similar products are found below :

[892-18-020-10-001101](#) [58102-G61-06LF](#) [582553-1](#) [0009485154](#) [009176003701906](#) [0050291907](#) [LY20-4P-DT1-P1E-BR](#) [02.125.8002.8](#)  
[609-3404](#) [61062-3](#) [61082-181009](#) [622-3653LF](#) [63453-116](#) [636-1030](#) [636-1427](#) [636-3427](#) [636-4007](#) [641938-9](#) [641991-4](#) [644827-2](#) [65817-010LF](#) [65817-015LF](#) [65863-015LF](#) [66207-023LF](#) [67095-007LF](#) [67601157](#) [68645-018](#) [68648-049](#) [70.362.1628.0](#) [70-4210](#) [70-4226B](#) [70-4853B](#) [707-5020](#) [707-5028](#) [71.350.2428.0](#) [71918-208LF](#) [71961-016LF](#) [733-134](#) [733-162](#) [754199-000](#) [760-3052](#) [787-8014-00](#) [79531-3000](#)  
[FCN-360C032-B](#) [FCN-367T-T012/H](#) [FCN-723D010/2](#) [80.063.4001.1](#) [800-90-001-10-001000](#) [800-90-010-10-002000](#) [801-43-002-10-013000](#)