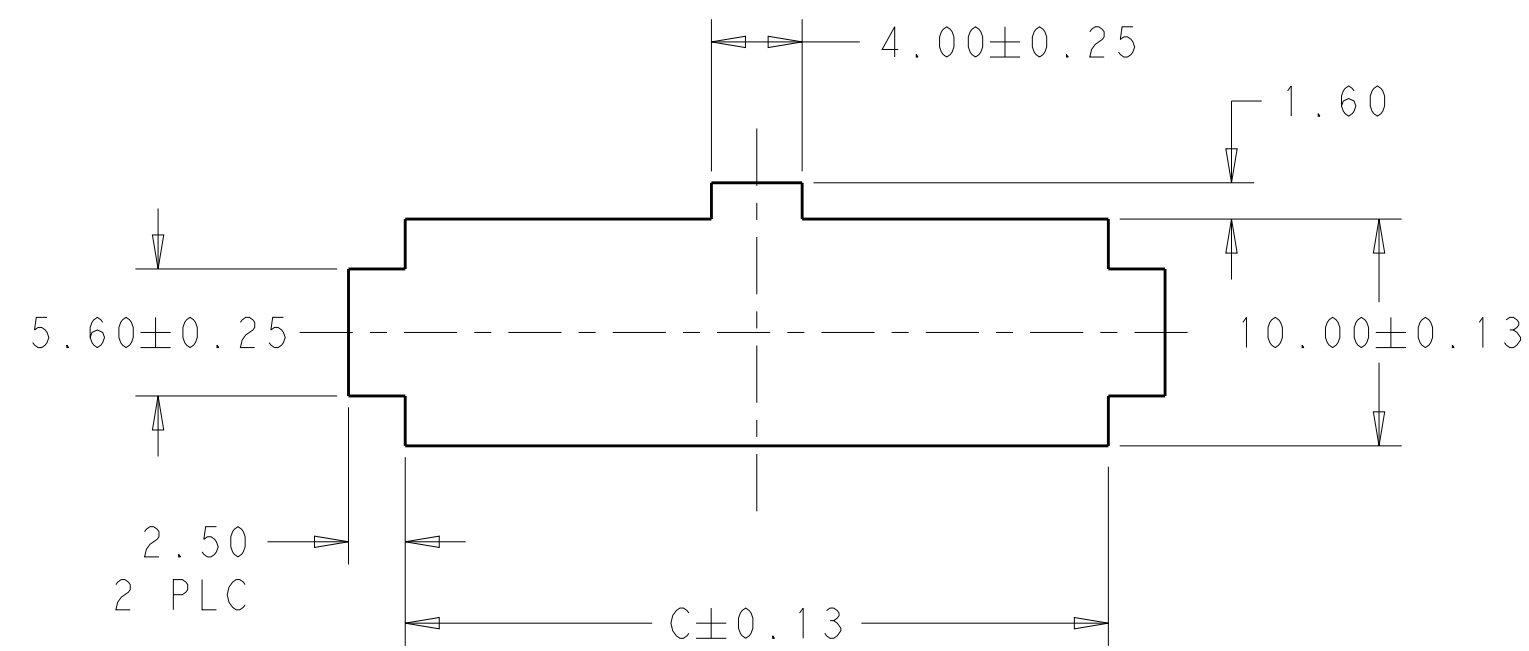
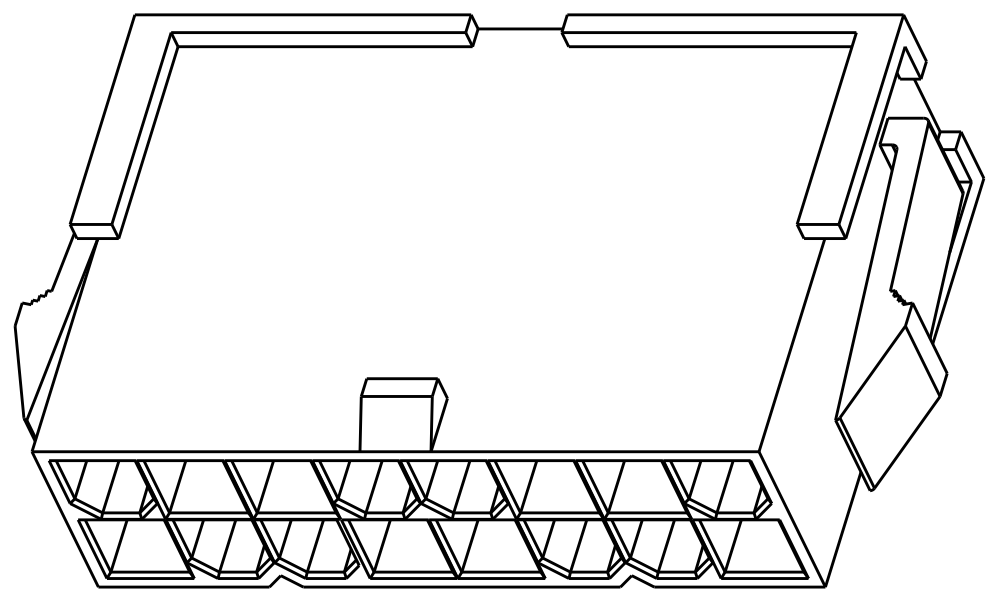
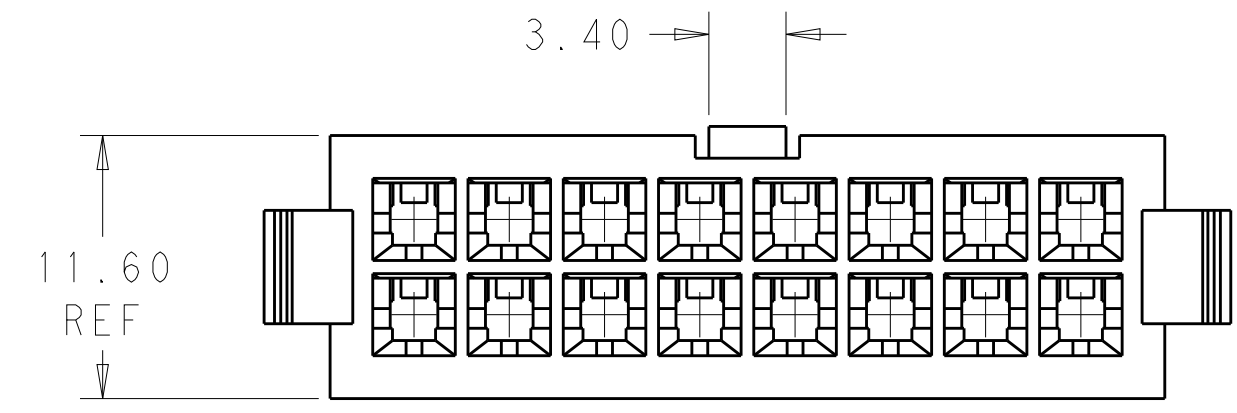
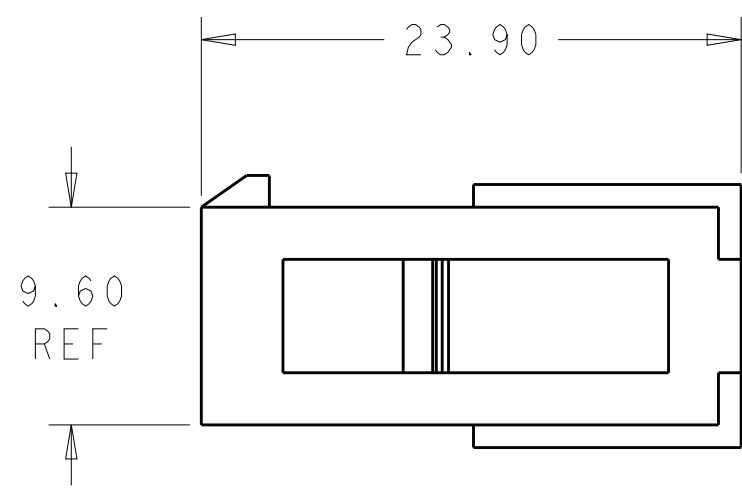
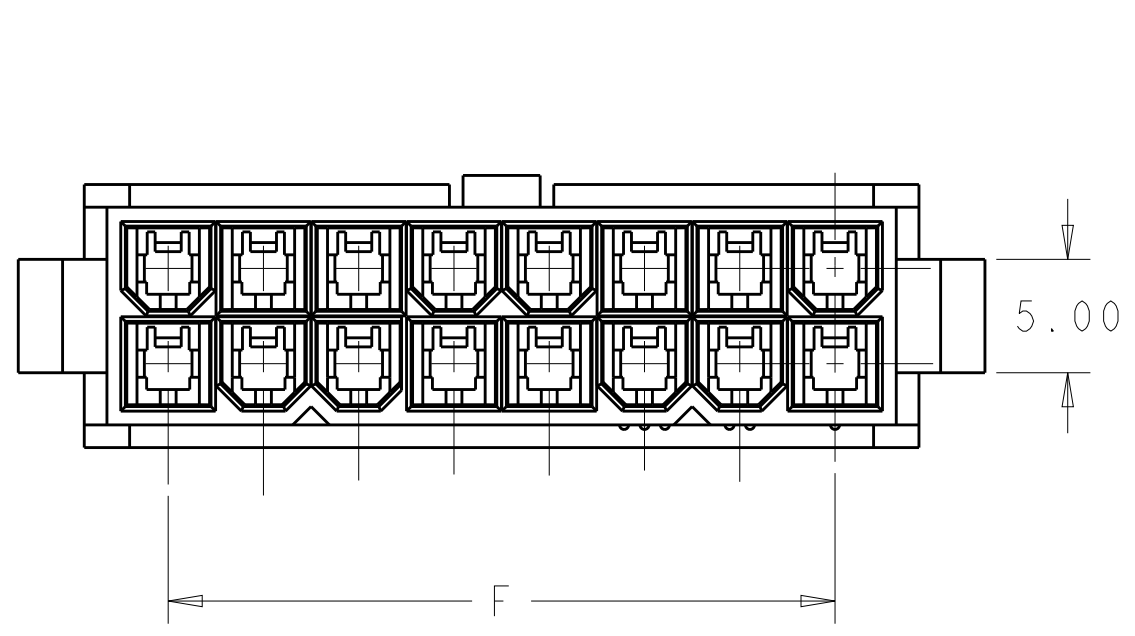
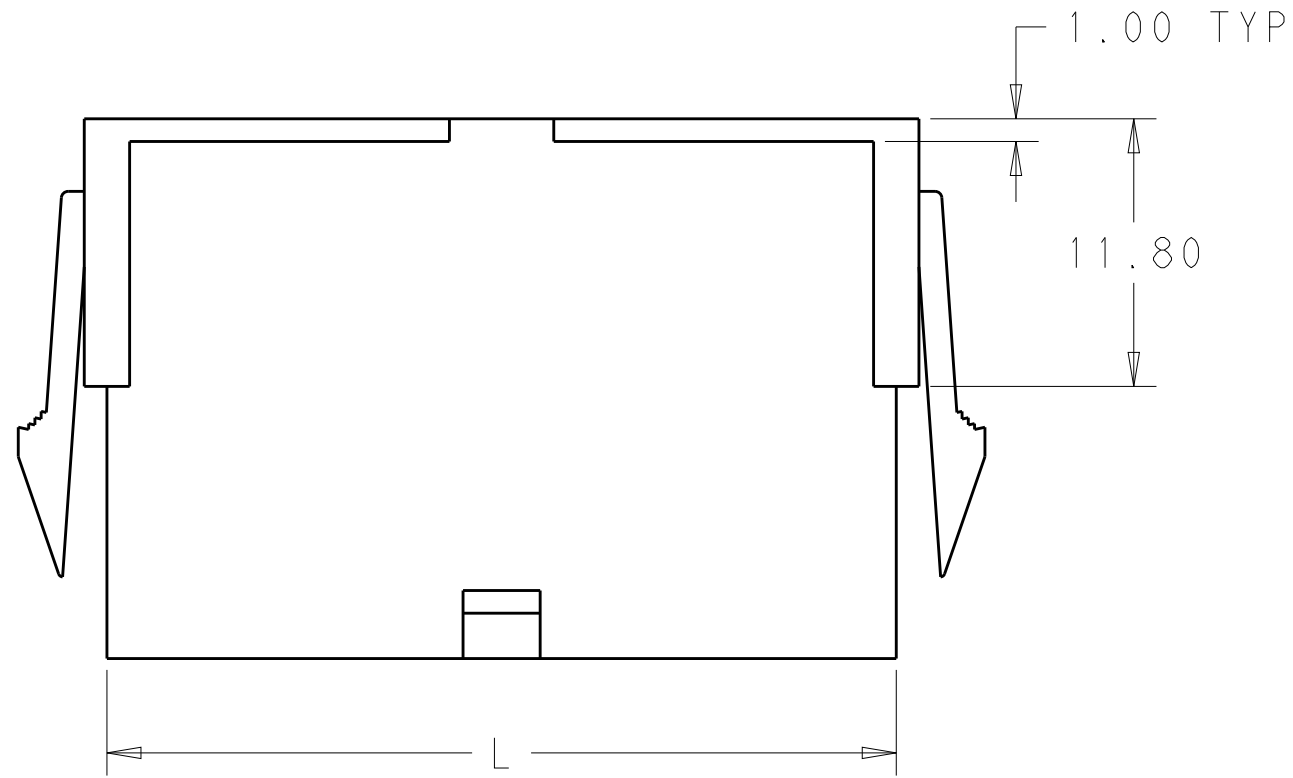


THIS DRAWING IS UNPUBLISHED. RELEASED FOR PUBLICATION 20
 © COPYRIGHT 20 BY - ALL RIGHTS RESERVED.

| LOC | DIST | REVISIONS | | | |
|-----|------|-------------|---------------------------|-----------|-------|
| P | LTR | DESCRIPTION | DATE | DWN | APVD |
| AF | - | A | REVISED PER ECR-13-018775 | 11DEC2013 | KH KR |



RECOMMENDED CUT-OUT FOR
2.00 MAX THICK PANEL

PANEL MUST BE PUNCHED OUT SO THAT THE
HOUSING ENTERS THE PANEL IN THE
SAME DIRECTION AS THE PUNCH.

| | | | | |
|-------|-------|-------|------------|-------------|
| 52.00 | 46.2 | 51.60 | 24 | 2-1969599-4 |
| 47.80 | 42.0 | 47.40 | 22 | 2-1969599-2 |
| 43.60 | 37.8 | 43.20 | 20 | 2-1969599-0 |
| 39.40 | 33.6 | 39.00 | 18 | 1-1969599-8 |
| 35.20 | 29.4 | 34.80 | 16 | 1-1969599-6 |
| 31.00 | 25.2 | 30.60 | 14 | 1-1969599-4 |
| 26.80 | 21.0 | 26.40 | 12 | 1-1969599-2 |
| 22.60 | 16.8 | 22.20 | 10 | 1-1969599-0 |
| 18.40 | 12.6 | 18.00 | 8 | 1969599-8 |
| 14.20 | 8.4 | 13.80 | 6 | 1969599-6 |
| 10.00 | 4.2 | 9.60 | 4 | 1969599-4 |
| 5.80 | -- | 5.40 | 2 | 1969599-2 |
| DIM C | DIM F | DIM L | NO. OF POS | PART NO. |

| | | | | | | | |
|---|---------------|------------------|---------------|-----------|---------------------|---------------------------------------|---|
| THIS DRAWING IS A CONTROLLED DOCUMENT. | | DWN | JR RUTH | 12DEC2012 | TE Connectivity | | |
| DIMENSIONS: | | CHK | KURT RANDOLPH | 12DEC2012 | | | |
| TOLERANCES UNLESS OTHERWISE SPECIFIED: | | APVD | KURT RANDOLPH | 12DEC2012 | | | |
| mm | | PRODUCT SPEC | | | | | |
| 0 PLC ± 1 PLC ± 2 PLC ±0.25 3 PLC ± 4 PLC ± ANGLES ± FINISH ± | | APPLICATION SPEC | | | NAME | PANEL MOUNT PLUG HOUSING VAL-U-LOK | |
| MATERIAL | NYLON 6/6, V2 | WEIGHT | | | SIZE | A200779 | |
| COLOR-NATURAL | | Customer Drawing | SCALE | 3:1 | DRAWING NO | C-1969599 | |
| | | SHEET | 1 | OF | 1 | REV | A |

X-ON Electronics

Largest Supplier of Electrical and Electronic Components

Click to view similar products for [Headers & Wire Housings](#) category:

Click to view products by [TE Connectivity](#) manufacturer:

Other Similar products are found below :

[892-18-020-10-001101](#) [58102-G61-06LF](#) [582553-1](#) [0009485154](#) [009176003701906](#) [0050291907](#) [LY20-4P-DT1-P1E-BR](#) [02.125.8002.8](#)
[609-3404](#) [61062-3](#) [61082-181009](#) [622-3653LF](#) [63453-116](#) [636-1030](#) [636-1427](#) [636-3427](#) [636-4007](#) [641938-9](#) [641991-4](#) [644827-2](#) [65817-](#)
[010LF](#) [65817-015LF](#) [65863-015LF](#) [66207-023LF](#) [67095-007LF](#) [67601157](#) [68645-018](#) [68648-049](#) [70.362.1628.0](#) [70-4210](#) [70-4226B](#) [70-](#)
[4853B](#) [707-5020](#) [707-5028](#) [71.350.2428.0](#) [71918-208LF](#) [71961-016LF](#) [733-134](#) [733-162](#) [754199-000](#) [760-3052](#) [79531-3000](#) [FCN-](#)
[360C032-B](#) [FCN-367T-T012/H](#) [FCN-723D010/2](#) [80.063.4001.1](#) [800-90-001-10-001000](#) [800-90-010-10-002000](#) [801-43-002-10-013000](#)
[801-43-006-10-002000](#)