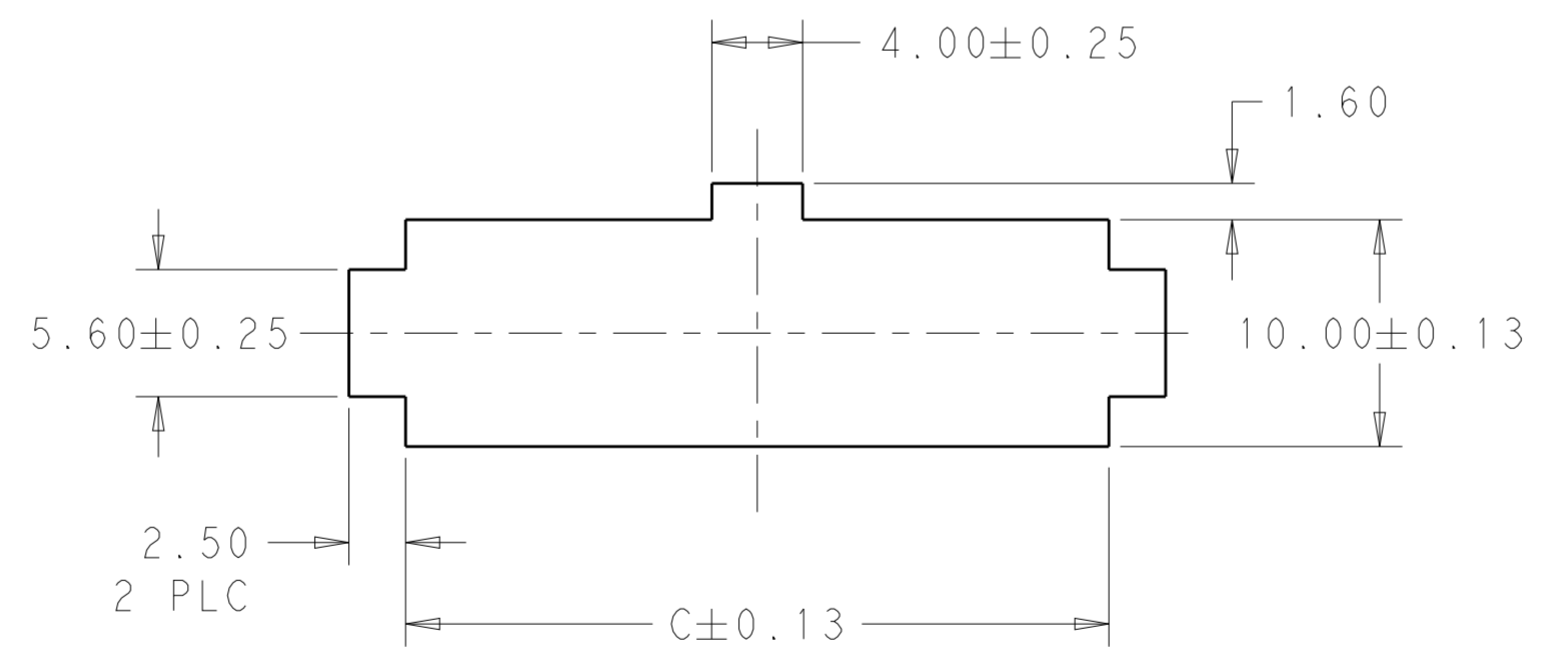
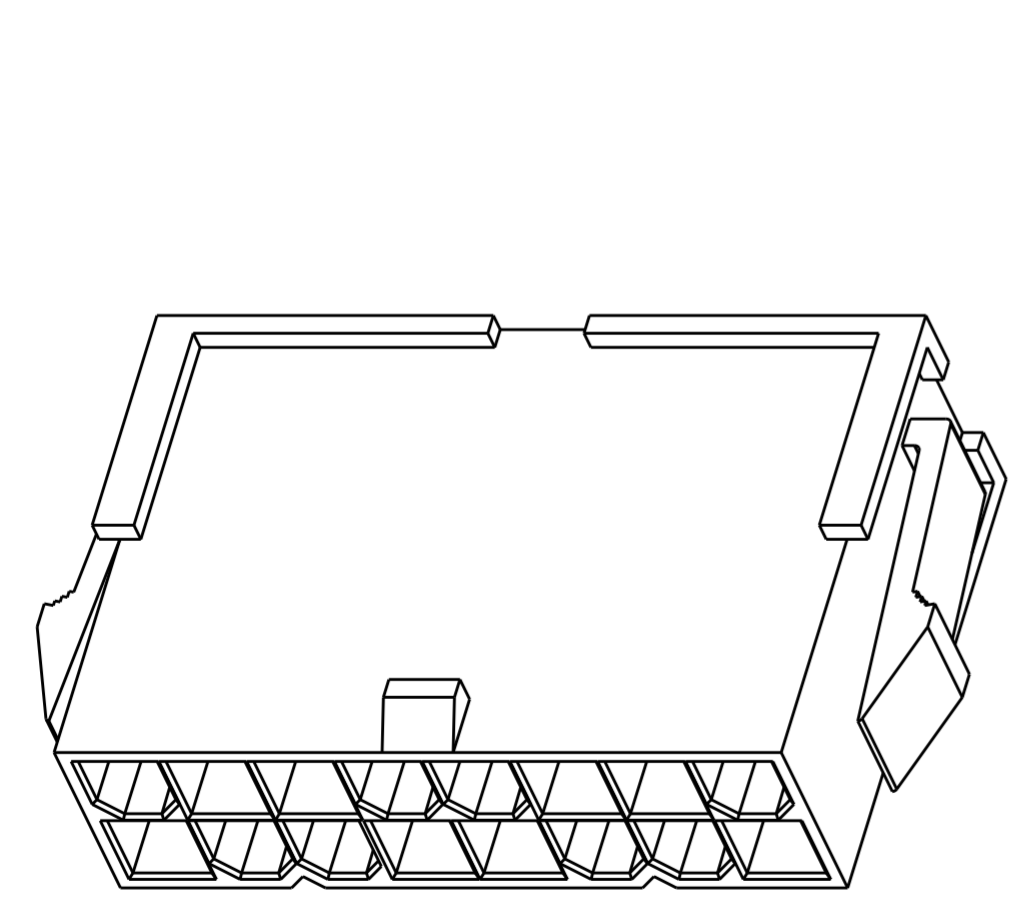
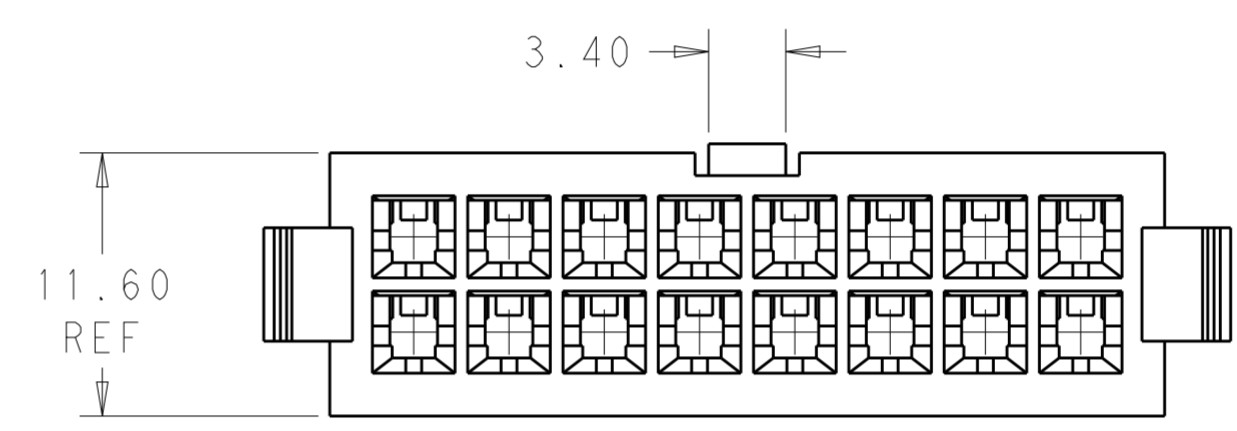
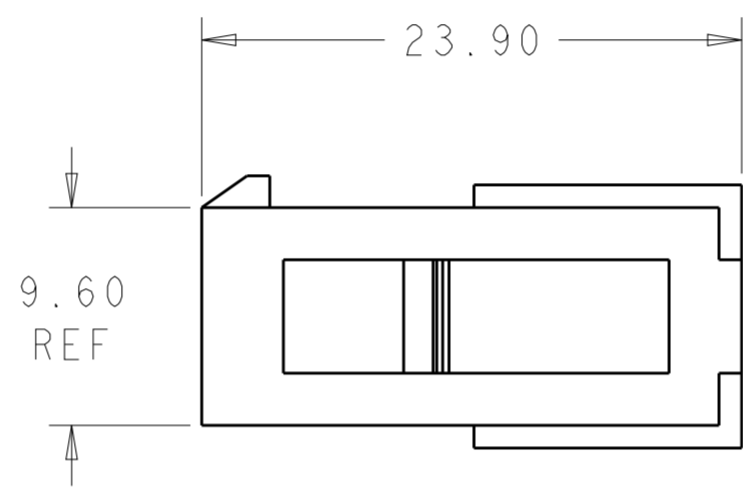
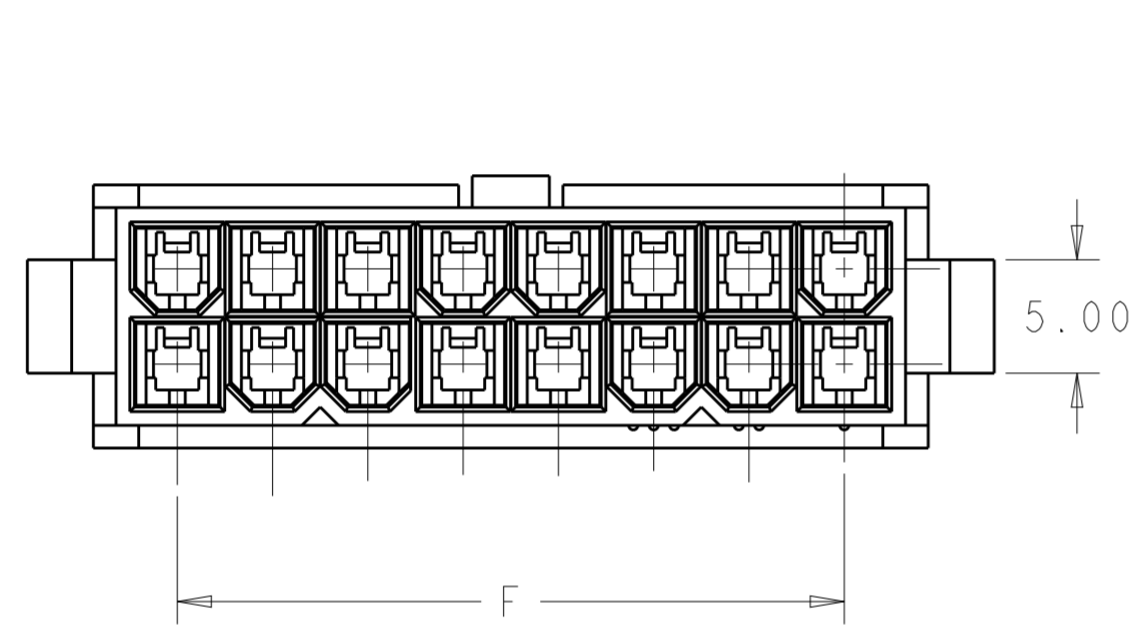
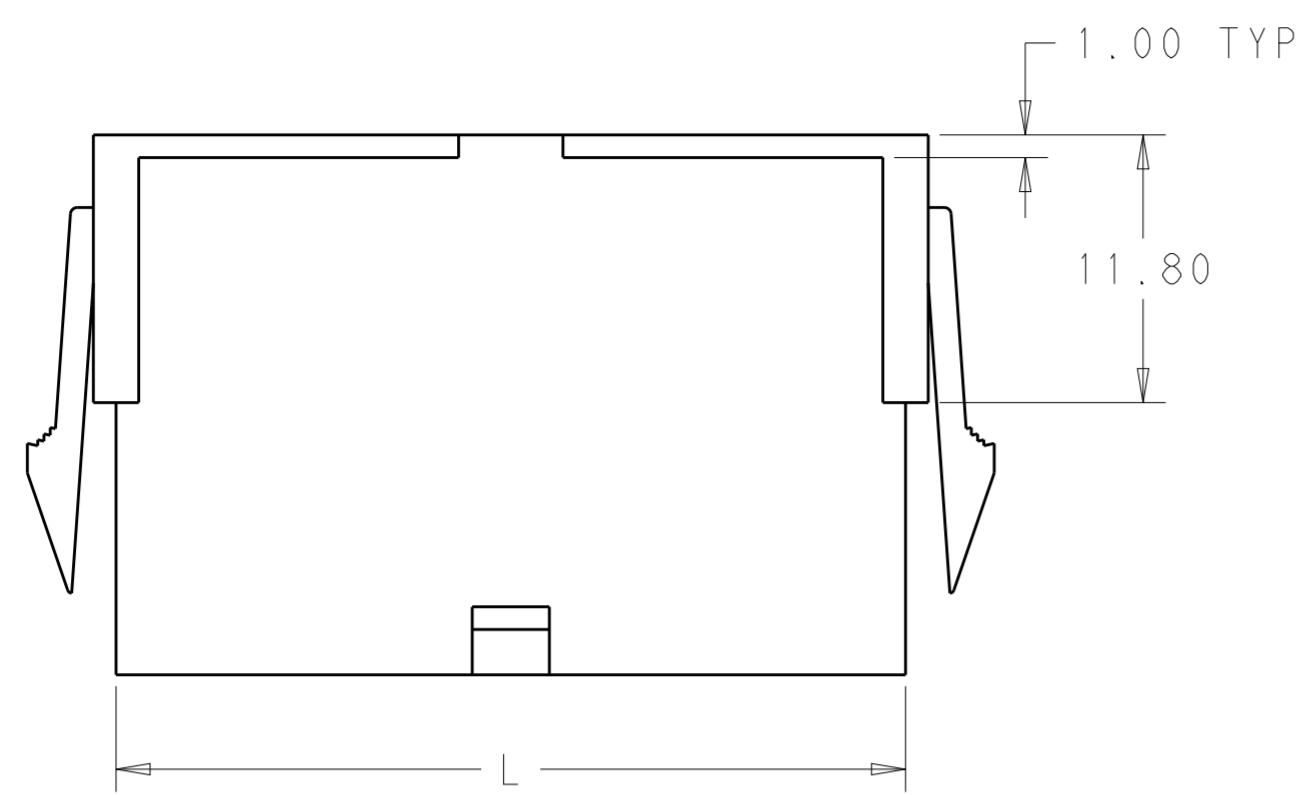


THIS DRAWING IS UNPUBLISHED. RELEASED FOR PUBLICATION 20
 © COPYRIGHT 20 BY - ALL RIGHTS RESERVED.

LOC	DIST	REVISIONS			
P	LTR	DESCRIPTION	DATE	DWN	APVD
AF	-	A	REVISED PER ECR-13-018775	11DEC2013	KH KR



RECOMMENDED CUT-OUT FOR
2.00 MAX THICK PANEL

PANEL MUST BE PUNCHED OUT SO THAT THE
HOUSING ENTERS THE PANEL IN THE
SAME DIRECTION AS THE PUNCH.

52.00	46.2	51.60	24	2-1969599-4
47.80	42.0	47.40	22	2-1969599-2
43.60	37.8	43.20	20	2-1969599-0
39.40	33.6	39.00	18	1-1969599-8
35.20	29.4	34.80	16	1-1969599-6
31.00	25.2	30.60	14	1-1969599-4
26.80	21.0	26.40	12	1-1969599-2
22.60	16.8	22.20	10	1-1969599-0
18.40	12.6	18.00	8	1969599-8
14.20	8.4	13.80	6	1969599-6
10.00	4.2	9.60	4	1969599-4
5.80	--	5.40	2	1969599-2
DIM C	DIM F	DIM L	NO. OF POS	PART NO.

THIS DRAWING IS A CONTROLLED DOCUMENT.		DWN JR RUTH 12DEC2012	TE Connectivity	
DIMENSIONS: mm		CHK KURT RANDOLPH 12DEC2012		
TOLERANCES UNLESS OTHERWISE SPECIFIED:		APVD KURT RANDOLPH 12DEC2012	NAME PANEL MOUNT PLUG HOUSING VAL-U-LOK	
0 PLC ± 1 PLC ± 2 PLC ±0.25 3 PLC ± 4 PLC ± ANGLES ± FINISH		PRODUCT SPEC -	SIZE A200779	
MATERIAL NYLON 6/6, V2		APPLICATION SPEC -	DRAWING NO C-1969599	
COLOR-NATURAL		WEIGHT -	RESTRICTED TO -	
Customer Drawing		SCALE 3:1	SHEET 1 OF 1 REV A	

X-ON Electronics

Largest Supplier of Electrical and Electronic Components

Click to view similar products for [Headers & Wire Housings](#) category:

Click to view products by [TE Connectivity](#) manufacturer:

Other Similar products are found below :

[892-18-020-10-001101](#) [58102-G61-06LF](#) [582553-1](#) [0009485154](#) [009176003701906](#) [0050291907](#) [LY20-4P-DT1-P1E-BR](#) [02.125.8002.8](#)
[609-3404](#) [61062-3](#) [61082-181009](#) [622-3653LF](#) [63453-116](#) [636-1030](#) [636-1427](#) [636-3427](#) [636-4007](#) [641938-9](#) [641991-4](#) [644827-2](#) [65817-](#)
[010LF](#) [65817-015LF](#) [65863-015LF](#) [66207-023LF](#) [67095-007LF](#) [67601157](#) [68645-018](#) [68648-049](#) [70.362.1628.0](#) [70-4210](#) [70-4226B](#) [70-](#)
[4853B](#) [707-5020](#) [707-5028](#) [71.350.2428.0](#) [71918-208LF](#) [71961-016LF](#) [733-134](#) [733-162](#) [754199-000](#) [760-3052](#) [787-8014-00](#) [79531-3000](#)
[FCN-360C032-B](#) [FCN-367T-T012/H](#) [FCN-723D010/2](#) [80.063.4001.1](#) [800-90-001-10-001000](#) [800-90-010-10-002000](#) [801-43-002-10-013000](#)